



ELEGANT HARDWARE PRODUCT CATALOGUE

JAN 2021



**Kitchen, Joinery, Shop Fittings
&
Furniture Hardware Supplies**



Elegant Hardware Pty Ltd
ACN 602 152 367
2/2 John Street, Dandenong Vic 3175 Australia
Phone: 03 9794 8394 / 0403 471 113
Email: info@eleganthardware.com.au
www.eleganthardware.com.au

About us:

Elegant Hardware was established in 2005 as an importer and distributor of Cabinet Hardware products for Kitchen, Joinery, Shop fittings and Furniture Hardware clients.

We have many satisfied clients. Our clients appreciate the quality of our products and the level of customer service we offer.

We have established long term relationships with our suppliers who are manufacturers. This enables us to offer quality products on time at competitive prices.

We can source custom products to suit the requirements of your project.

We appreciate that you may already be using some of these or similar products, but we would request you to go through this catalogue and give us an opportunity to service your requirement of cabinet hardware.

We strive to supply products of quality fit for purpose at a competitive price and a service we are proud to say our customers appreciate.

Disclaimer

The information provided in this catalogue is provided for general information only. The information is not warranted to be accurate, up to date, complete or definitive. User must use its own discretion to check and validate any specification prior to ordering.

Subject to applicable laws, Elegant Hardware will not accept any liability for any loss or damage, including consequential loss, which results from the access or use of this catalogue and its contents, including reliance upon the information.

Elegant Hardware reserves the right to change any of the goods, services and policies referred to in this catalogue at any time without notice.

Since the use of this information and the conditions in which these products are used is beyond the control of Elegant Hardware, a user must determine whether the products are fit for the purpose for which they are to be used, and is responsible for safe use of the products.

To the extent permitted by law, any liability which may be incurred by Elegant Hardware as a result of the use of or failure of a product is limited at Elegant Hardware's discretion to repair or replacement of the product, and Elegant Hardware will not be liable for any economic loss, loss of profits, indirect, special or consequential damages (including in the case of negligence).

Table of Contents

| | |
|---|------|
| 1. Drawer Systems..... | 1-1 |
| 2. Hinges..... | 2-1 |
| 3. Handles & Knobs..... | 3-1 |
| 4. Waste Bins & Laundry Hampers | 4-1 |
| 5. Kitchen Accessories & Storage Solutions..... | 5-1 |
| 6. General Hardware..... | 6-1 |
| 7. Belle Roller Door..... | 7-1 |
| 8. Fasteners & Fixings..... | 8-1 |
| 9. Adhesives & Sealants..... | 9-1 |
| 10. Wardrobe Accessories..... | 10-1 |

Table of Contents - Detailed

| | |
|---|-------------|
| 1. DRAWER SYSTEMS | 1-1 |
| <i>CEMUX Series Drawer Systems >></i> | <i>1-2</i> |
| CEMUX: 84mm High - Soft Close Double Metal Wall | 1-2 |
| CEMUX: 135mm High - Soft Close Double Metal Wall | 1-4 |
| CEMUX: 167mm High - Soft Close Double Metal Wall | 1-6 |
| CEMUX: 167mm High with FROSTED Glass - Soft Close Double Metal Wall | 1-8 |
| CEMUX: 199mm High - Soft Close Double Metal Wall Drawer | 1-10 |
| CEMUX: 199mm High with FROSTED Glass - Soft Close Double Metal Wall | 1-12 |
| CEMUX: 84mm High - Soft Close Inner Shallow Double Metal Wall Drawer | 1-14 |
| CEMUX: 167mm High - Soft Close Inner Shallow Double Metal Wall Drawer..... | 1-16 |
| CEMUX: 167mm High Drawer with GLASS SIDES - Soft Close Inner Drawer | 1-18 |
| CEMUX: 199mm High - Soft Close Inner Shallow Double Metal Wall Drawer..... | 1-20 |
| CEMUX: 199mm High Drawer with GLASS SIDES - Soft Close Inner Drawer | 1-22 |
| <i>CEMUX - SlimPRO Series Drawer Systems >></i> | <i>1-24</i> |
| CEMUX – SlimPRO: 84mm High Soft Close Slimline Drawer System | 1-24 |
| CEMUX – SlimPRO: 116mm High Soft Close Slimline Drawer System | 1-26 |
| CEMUX – SlimPRO: 167mm High Soft Close Slimline Drawer System | 1-28 |
| CEMUX – SlimPRO: 199mm High Soft Close Slimline Drawer System | 1-32 |
| CEMUX – SlimPRO FROSTED GLASS: 199mm High Soft Close Slimline Drawer System | 1-34 |
| CEMUX – SlimPRO INNER: 84mm High Slimline Soft Close Drawer System..... | 1-36 |
| CEMUX – SlimPRO INNER: 167mm High Slimline Soft Close Drawer System | 1-38 |
| CEMUX – SlimPRO INNER: 199mm High Slimline Soft Close Drawer System | 1-40 |
| <i>CEMUX Undermount Drawer Systems >></i> | <i>1-42</i> |
| CEMUX Undermount Drawer Slide | 1-42 |
| <i>FGV Soft Close Ball Bearing Drawer Slides >></i> | <i>1-44</i> |
| FGV Soft Close Ball Bearing Drawer Slides – Side Mount | 1-44 |
| 2. HINGES | 2-1 |
| <i>FGV ASIA - INTEGRA 105° SOFT CLOSE HINGE – SlowMotion Inside</i> | <i>2-2</i> |
| FGV ASIA - INTEGRA 105° SOFT CLOSE HINGE – SlowMotion Inside | 2-2 |
| FGV 155° & 165° Damped Hinge for Corner Doors..... | 2-6 |
| FGV INTEGRA 90° Damped Hinge for Blind Corners..... | 2-8 |
| FGV INTEGRA 135° Bifold Corner Hinge | 2-8 |
| FGV Mounting Plates for INTEGRA Hinge..... | 2-9 |
| 3. HANDLES & KNOBS | 3-1 |
| <i>Zinc Alloy Handles >></i> | <i>3-2</i> |
| Aluro 21.092..... | 3-2 |
| Arc 21.005 | 3-2 |
| Block 23.061..... | 3-3 |
| Diva 23.064..... | 3-3 |

| | |
|---|-------------|
| Duro 20.482..... | 3-4 |
| Pyramid 20.591..... | 3-4 |
| Tessa 20.543..... | 3-5 |
| Sigo 23.047..... | 3-6 |
| Viva 21.308..... | 3-6 |
| <i>Steel Handles >>.....</i> | <i>3-6</i> |
| Roman 22.002 | 3-6 |
| T-Bar 22.001 | 3-7 |
| <i>Aluminium Handles >></i> | <i>3-7</i> |
| PEAK 20.771 | 3-7 |
| AVA 20.582 | 3-8 |
| <i>Stainless Steel Handles>>.....</i> | <i>3-8</i> |
| Court 20.113..... | 3-9 |
| Rondella 22.059..... | 3-9 |
| Cubo-10 21.010 | 3-10 |
| Cubo-12 21.212..... | 3-10 |
| Lipul 20.001..... | 3-11 |
| Quad-10 22.410 | 3-12 |
| Quad-12 22.412 | 3-12 |
| Ronda 22.812 | 3-13 |
| Steelo 22.002..... | 3-13 |
| Square T- Bar 20.124..... | 3-14 |
| <i>Zinc Alloy Knobs >></i> | <i>3-14</i> |
| Cylinder 21.160..... | 3-14 |
| Oval 23.613 | 3-15 |
| Table 23.318..... | 3-15 |
| <i>Stainless Steel Knobs >></i> | <i>3-15</i> |
| Ugo-21.011..... | 3-15 |
| 4. WASTE BINS, LAUNDRY HAMPERS & CUTLERY TRAYS | 4-1 |
| <i>SIGE Waste Bins >></i> | <i>4-2</i> |
| SIGE 574 Soft Close Bin to suit 300mm cabinet | 4-3 |
| SIGE 570 Soft Close Bin to suit 400mm cabinet | 4-3 |
| SIGE 571 Soft Close Bin to suit 450mm cabinet | 4-4 |
| SIGE 572 Soft Close Bin to suit 500mm cabinet | 4-5 |
| SIGE 573 Soft Close Bin to suit 600mm cabinet | 4-5 |
| SIGE 590 Soft Close Single Bucket Laundry Hamper to suit 450mm cabinet..... | 4-6 |
| SIGE 594 Soft Close Double Bucket Laundry Hamper to suit 450mm cabinet..... | 4-6 |
| <i>WAKO-EURO bins – SQUARE 2.0 series by elletipi</i> | <i>4-7</i> |
| Elletipi 48L Soft Close Bin to suit 450mm cabinet | 4-7 |
| Elletipi 48L - LEGRABOX Soft Close Bin to suit 450mm cabinet..... | 4-7 |
| Elletipi 70L Soft Close Bin to suit 500mm cabinet | 4-8 |
| Elletipi 70L Soft Close Bin to suit 600mm cabinet | 4-8 |

| | |
|--|-------------|
| Elletipi Powder coated Metal Lid..... | 4-8 |
| Elletipi 64L Soft Close Bin to suit 600mm cabinet | 4-9 |
| Elletipi 64L – LEGRABOX Soft Close Bin to suit 600mm cabinet | 4-9 |
| <i>ECO WASTE BINS.....</i> | <i>4-10</i> |
| ECO Waste Bins 58L Soft Close to suit 400mm & 450mm cabinet | 4-10 |
| <i>WAKO WASTE BINS & LAUNDRY HAMPERS</i> | <i>4-11</i> |
| WAKO 40L Soft Close Pull-out Waste Bin | 4-11 |
| WAKO 30L Self Close Pull-out Waste Bin | 4-11 |
| WAKO 30L Self Close Pull-out Waste Bin | 4-11 |
| WAKO 54L Soft Close Pull-out Waste Bin to suit 450mm cabinet | 4-12 |
| WAKO 70L Soft Close Pull-out Waste Bin to suit 600mm cabinet | 4-12 |
| WAKO 48L Laundry Hamper to suit 450mm cabinet | 4-13 |
| WAKO 70L Laundry Hamper to suit 600mm cabinet | 4-13 |
| <i>KIMBERLEY WASTE BINS</i> | <i>4-13</i> |
| Kimberley KRB06 | 4-13 |
| Kimberley KRB06D..... | 4-14 |
| <i>Cutlery Tray Insert >></i> | <i>4-14</i> |
| Kimberley Cutlery Tray Insert >> | 4-14 |
| Stainless Steel Cutlery Tray Insert >> | 4-15 |
| <i>UPPO CUTLERY TRAYS: (Made in Italy).....</i> | <i>4-16</i> |
| <i>5. KITCHEN ACCESSORIES AND STORAGE SOLUTIONS</i> | <i>5-1</i> |
| <i>PULL OUT STORAGE SOLUTIONS >></i> | <i>5-2</i> |
| FORMA: MULTIPURPOSE BASKET – CLASSIC -WIRE BASE..... | 5-2 |
| TRIX: PULL OUT BOTTLE SIDE RUNNERS 150 & 200 – CLASSIC – WIRE BASE..... | 5-4 |
| FLORA: PULL OUT BOTTLE SIDE RUNNERS 150 & 200 – COMPACT – ROUND WIRE | 5-6 |
| NOVA: FLAT WIRE - PULL OUT BOTTLE SIDE RUNNERS 150 & 200 | 5-8 |
| FLORA: PULL OUT BOTTLE SIDE RUNNERS 300 – COMPACT – ROUND WIRE | 5-9 |
| NOVA: PULL OUT BOTTLE SIDE RUNNERS 300 – FLAT WIRE | 5-11 |
| STYLO: PULL OUT FRAME SIDE RUNNERS 300 – COMPACT | 5-12 |
| VERONA: 300mm PULL OUT PANTRY FRAME - ANTHRACITE – FLAT WIRE..... | 5-14 |
| LOTUS: 150mm CHROME PULL OUT FRAME – FLAT WIRE | 5-16 |
| ZYLA - ANTHRACITE PULL OUT FRAME – FLAT WIRE | 5-18 |
| ZYLA: CHROME PULL OUT FRAME – FLAT WIRE | 5-19 |
| TITAN - PULL OUT PANTRY COLUMN ANTHRACITE – FLAT WIRE | 5-21 |
| TITAN - PULL OUT PANTRY COLUMN WHITE – FLAT WIRE | 5-22 |
| ZULO - PULL OUT PANTRY COLUMN COMPACT – ROUND WIRE..... | 5-24 |
| FIORE – 200mm PULL OUT PANTRY SIDE RUNNERS – FLAT WIRE | 5-26 |
| SOLO – 300mm PULL OUT CLEANING BASKET -ANTHRACITE – FLAT WIRE | 5-28 |
| <i>CORNER STORAGE SOLUTIONS >>.....</i> | <i>5-30</i> |
| BELARINA: 270° SWIVEL BASKET COMPACT - MELAMINE | 5-30 |
| BELARINA WIRE: 270° SWIVEL BASKET CLASSIC – WIRE BASE | 5-31 |
| PRISMA: MAGIC CORNER: ARTICULATED PULL OUT FRAME – FLAT WIRE..... | 5-33 |

| | |
|---|------|
| DIOLO: MAGIC CORNER: ARTICULATED PULL OUT FRAME – COMPACT – ROUND WIRE..... | 5-35 |
| DOLPHIN SLIDING PULL - OUT – FLAT WIRE..... | 5-37 |
| TEA TOWEL PULL OUT >> | 5-39 |
| ALUMINIUM PULL-OUT TEA-TOWEL – NON-SLIP | 5-39 |
| 6. GENERAL HARDWARE..... | 6-1 |
| Abrasives >>..... | 6-3 |
| Sanding Belts..... | 6-3 |
| Sand Paper Rolls..... | 6-3 |
| Adjustable height Legs & Fixing Blocks >>..... | 6-3 |
| Adjustable Legs | 6-3 |
| Fixing Blocks..... | 6-3 |
| Bump Ons..... | 6-3 |
| Catches >>..... | 6-4 |
| Corna Support Catch for Bi-Fold Corner Unit - Side Mount | 6-4 |
| Corna Support Catch for Bi-Fold Corner Unit - -Top Mount..... | 6-4 |
| Corna Slide Door Protector | 6-4 |
| Zipbolt Daisy Catch Side-Mount | 6-4 |
| Zipbolt Daisy Catch In-Line..... | 6-4 |
| Furniture Glides >>..... | 6-5 |
| Glides Nail-On | 6-5 |
| Safety Gear >>..... | 6-5 |
| Dust Mask – General Purpose | 6-5 |
| Shelf Supports >> | 6-5 |
| Shelf Support – Clear | 6-5 |
| Shelf Support – White..... | 6-5 |
| Shelf Support D Metal..... | 6-6 |
| Cable Entry Caps >>..... | 6-6 |
| Cable Entry Caps..... | 6-6 |
| Tapes >>..... | 6-6 |
| Masking Tape | 6-6 |
| Duct Tape..... | 6-6 |
| Tools & Accessories >> | 6-7 |
| Drill Bits | 6-7 |
| Drilling Jig..... | 6-7 |
| Magnetic Driver Bits | 6-8 |
| Magnetic Drive Bit Holder..... | 6-9 |
| Zipbolt Hex Driver 5 x 50 mm | 6-9 |
| Zipbolt Ratchet Driver..... | 6-9 |
| Snappy Quick Chuck..... | 6-9 |
| Trend Snappy Drill Countersink with Adjustable HSS Drill | 6-10 |
| Wood Hole Saw - Lancaster..... | 6-10 |

| | |
|---|------|
| Jig Saw Blades – Sutton..... | 6-11 |
| <i>Touch Up Furniture Repair >></i> | 6-11 |
| Liquid Laminates..... | 6-11 |
| Furniture Repair Crayons | 6-11 |
| <i>Wardrobe Fittings >></i> | 6-12 |
| Hang Rails | 6-12 |
| Hang Rail Supports | 6-12 |
| <i>Waste Access Cover Plates >></i> | 6-13 |
| Corna Waste Access Cover Plates | 6-13 |
| Corna Blank Sheet | 6-13 |
| White Rags..... | 6-13 |
| 7. BELLE ROLLER DOORS | 7-1 |
| <i>Belle – ROLLER DOORS for Cabinets</i> | 7-1 |
| 8. FASTENERS & FIXINGS | 8-1 |
| SCREWS >> | 8-2 |
| Chipboard Screws CSK Head with 4 Nibs PHILLIPS..... | 8-2 |
| Particleboard Screws CSK Head Long Thread PHILLIPS..... | 8-2 |
| Particleboard Screws 4 Nibs CSK Head Hole for Stem Cap PHILLIPS | 8-2 |
| Particleboard Screws CSK Head Long Thread POZI | 8-3 |
| Particleboard Screws 4 Nibs CSK Head Hole for Stem Cap POZI | 8-3 |
| Screw Pan Head..... | 8-3 |
| Handle / Knob Screws..... | 8-3 |
| Euro Screws..... | 8-4 |
| Brads >> | 8-4 |
| BRADS C SERIES | 8-4 |
| BRADS DA SERIES..... | 8-5 |
| Staples >> | 8-5 |
| 800 SERIES STAPLES | 8-5 |
| 6000 SERIES STAPLES | 8-6 |
| Wallmates >> | 8-6 |
| Angle Brackets >> | 8-6 |
| Connectors >> | 8-7 |
| Zipbolt UT 80mm x 35mm..... | 8-7 |
| Zipbolt UT Mini 6mm x 100mm | 8-7 |
| Bench Top Metal Connector..... | 8-8 |
| Connector Cramps | 8-8 |
| Zipbolt Easy Cleat | 8-8 |
| Quick Clip Connector | 8-9 |
| Joining Biscuits | 8-9 |
| Connector Table-Top Figure 8 | 8-9 |

| | |
|--|-------------|
| <i>Screw CAPS >></i> | 8-10 |
| STEM Caps for Head Hole Screws | 8-10 |
| FASTCAP – Adhesive Screw CAP | 8-10 |
| 9. ADHESIVES & SEALANTS | 9-1 |
| <i>Adhesives >></i> | 9-2 |
| Anchor-Weld 2700/2701..... | 9-2 |
| Anchor-Weld 101R..... | 9-2 |
| AV56 Laminated Board Adhesive | 9-2 |
| AV180 MDF Board & Joinery Adhesive | 9-3 |
| AV XL PLUS Single Pack Cross-Linking PVA | 9-3 |
| RAKOLL K4/570 Natural Pallets | 9-3 |
| Bostik Z-Bond NO NAILS..... | 9-4 |
| <i>Cleaners & Thinners >></i> | 9-4 |
| Anchor-Weld 901..... | 9-4 |
| Anchor-Weld 802..... | 9-4 |
| <i>Silicones >></i> | 9-5 |
| Bostik Kitchen & Bathroom | 9-5 |
| Bostik SILICONE V60 | 9-5 |
| Bostik Industrial Grade Clear SILICONE | 9-5 |
| Bostik Z-Bond GAP FILLER | 9-6 |
| <i>Caulking Gun</i> | 9-6 |
| <i>Glue Bottle & Top</i> | 9-6 |
| 10. WARDROBE ACCESSORIES | 10-1 |
| SUPER LIFT | 10-2 |
| Pull Out 9 Trouser Holder – REVERSIBLE | 10-4 |
| Pull Out 10 Trousers Holder – REVERSIBLE..... | 10-6 |
| Pull Out Frontal (Door-Mounted) Shoe Holder..... | 10-8 |
| Pull Out Frame - Shoe Holder | 10-10 |
| Pull Out Hanger – Shirt Holder | 10-12 |
| Pull Out Tie - Belt Holder..... | 10-13 |

1. DRAWER SYSTEMS



1. DRAWER SYSTEMS..... **1-1**

CEMUX Series Drawer Systems >>.....**1-2**

CEMUX: 84mm High - Soft Close Double Metal Wall Drawer 1-2

CEMUX: 135mm High - Soft Close Double Metal Wall Drawer1-4

CEMUX: 167mm High - Soft Close Double Metal Wall Drawer..... 1-6

CEMUX: 167mm High – FROSTED GLASS Soft Close Double Metal Wall Drawer 1-8

CEMUX: 199mm High – Soft Close Double Metal Wall Drawer..... 1-10

CEMUX: 199mm High – FROSTED GLASS Soft Close Double Wall Metal Drawer.....1-12

CEMUX Soft Close Inner Shallow Double Metal Wall 84mm High..... 1-14

CEMUX Soft Close Inner Shallow Double Metal Wall 167mm High..... 1-16

CEMUX Soft Close Inner Shallow Double Metal Wall 167mm High with FROSTED GLASS.... 1-18

CEMUX Soft Close Inner Shallow Double Metal Wall 199mm High..... 1-20

CEMUX Soft Close Inner Shallow Double Metal Wall 199mm High with FROSTED GLASS.... 1-21

SlimPRO Series Drawer Systems >>.....**1-24**

SlimPRO 84mm High Thin Wall Soft Close Drawer.....1-24

SlimPRO 116mm High Thin Wall Soft Close Drawer.....1-26

SlimPRO 167mm High Thin Wall Soft Close Drawer.....1-28

SlimPRO 167mm – GLASS High Thin Wall Soft Close Drawer.....1-30

SlimPRO 199mm High Thin Wall Soft Close Drawer.....1-32

SlimPRO 199mm – GLASS High Thin Wall Soft Close Drawer.....1-34

SlimPRO INNER: 84mm High Slimline Soft Close Drawer System1-36

SlimPRO INNER: 167mm High Slimline Soft Close Drawer System1-38

SlimPRO INNER: 199mm High Slimline Soft Close Drawer System1-40

CEMUX Undermount Series Drawer Systems >> **1-42**

FGV – Side Mount Soft Close Ball Bearing Series Drawer Slides >> **1-44**

CEMUX Series Drawer Systems >>



CEMUX: 84mm High - Soft Close Double Metal Wall

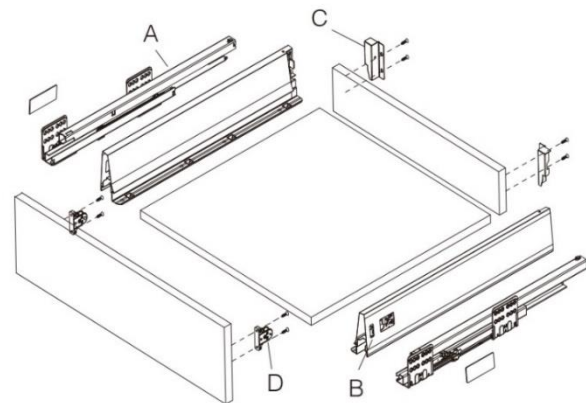
FEATURES

1. Perfect sliding qualities with precision full extension runners incorporating silent & gradual closing
2. Colour – White
3. Quick installation and easy dismantling
4. +/- 2mm up & down adjustment
5. +/- 1.5mm left & right adjustment
6. Integrated 3D front panel adjustment
7. **40Kg** dynamic loading capacity and 100,000 cycles tested.



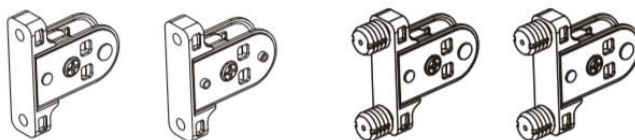
| NO. | PKG CONTENTS |
|-----|------------------------------------|
| A | Left / Right drawer runners |
| B | Left / Right drawer sides |
| C | Left / Right rear brackets |
| D | Left / Right front fixing brackets |
| - | Installation Instructions |

BASIC COMPONENTS OF 84mm



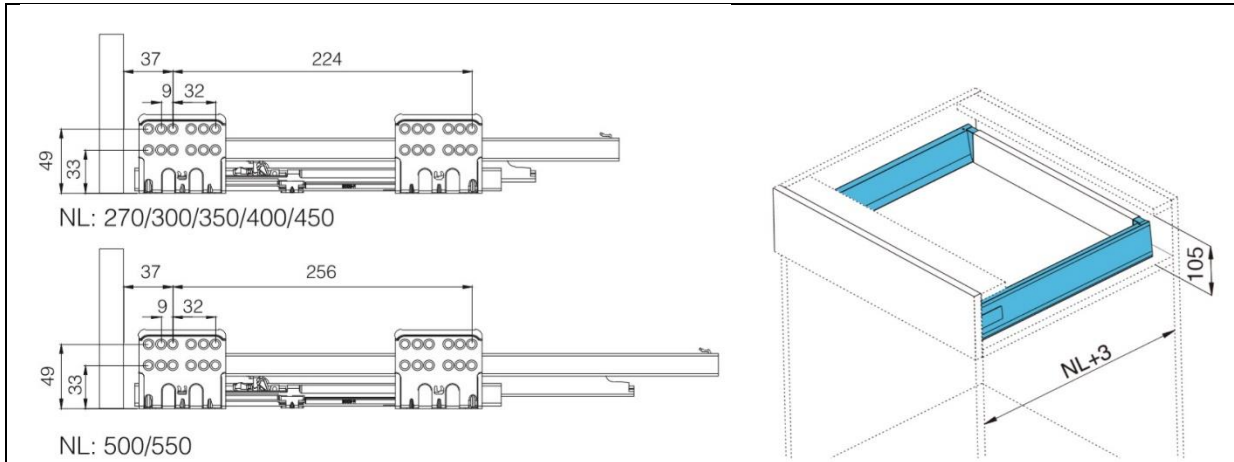
DETAILED VIEW ITEM D

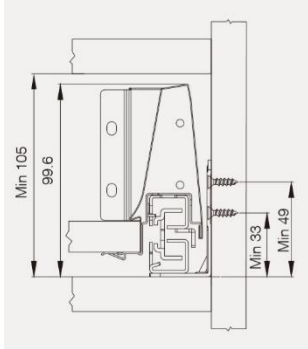
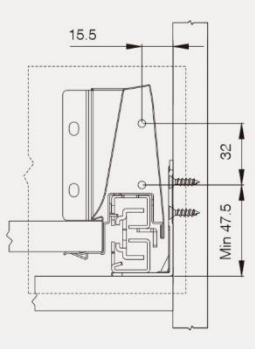
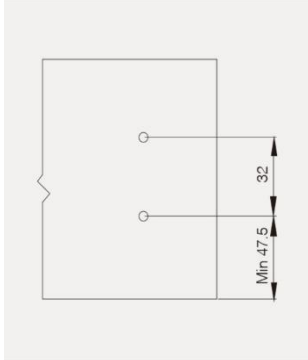
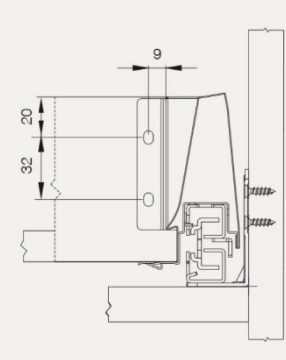
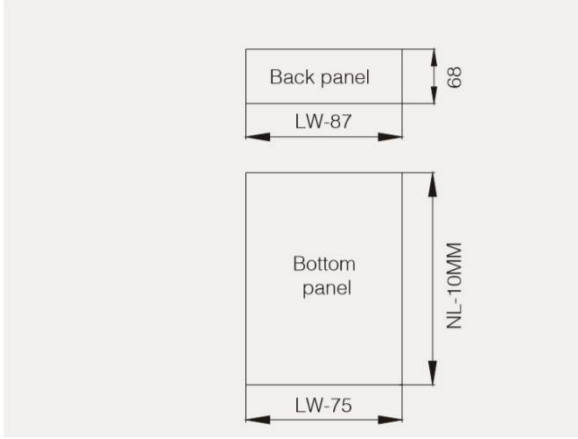
Front fixing bracket screw on or with 10x9.8mm Dowel!



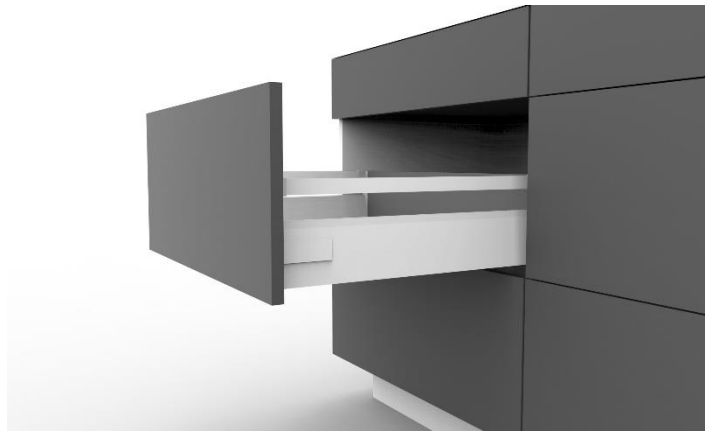
| CODE | DESCRIPTION | PKG |
|---------------|--|-------|
| 11.A3201.270 | Soft Close Drawer System 270mm – White | 1 Set |
| 11. A3201.300 | Soft Close Drawer System 300mm – White | 1 Set |
| 11. A3201.350 | Soft Close Drawer System 350mm – White | 1 Set |
| 11. A3201.400 | Soft Close Drawer System 400mm – White | 1 Set |
| 11. A3201.450 | Soft Close Drawer System 450mm – White | 1 Set |
| 11. A3201.500 | Soft Close Drawer System 500mm – White | 1 Set |
| 11. A3201.550 | Soft Close Drawer System 550mm – White | 1 Set |

11.A3201 CEMUX Drawer System Installation Dimensions



| ASSEMBLY DIMENSIONS OF CABINET | FRONT FIXING BRACKETS | CODE | NOMINAL LENGTH (NL) | DRAWER INTERNAL LENGTH | MIN. INSTALLATION LENGTH OF DRAWER |
|---|---|--|---------------------|------------------------|------------------------------------|
|  |  | 11. A3201.270 | 270 | 246 | 273 |
| | | 11. A3201.300 | 300 | 276 | 303 |
| | | 11. A3201.350 | 350 | 326 | 353 |
| | | 11. A3201.400 | 400 | 376 | 403 |
| | | 11. A3201.450 | 450 | 426 | 453 |
| | | 11. A3201.500 | 500 | 476 | 503 |
| | | 11. A3201.550 | 550 | 526 | 553 |
| DRILLING HOLE SIZE FRONT OF DRAWER | DRILLING HOLE SIZE BACK OF DRAWER | Cutting dimensions for 16mm MDF | | | |
|  |  |  | | | |
| | | LW Internal cabinet width | | L Length | |
| | | NL Nominal length | | KB Cabinet width | |

CEMUX: 135mm High - Soft Close Double Metal Wall

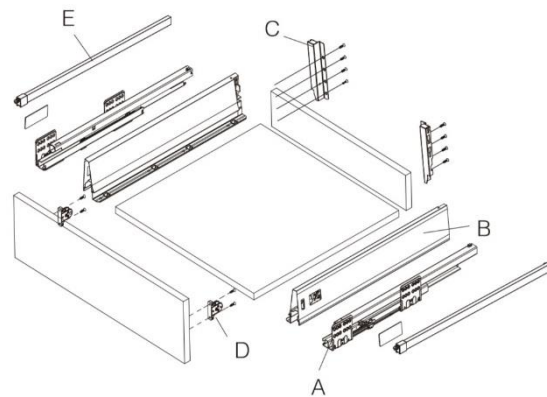


FEATURES

1. Perfect sliding qualities with precision full extension runners incorporating silent & gradual closing
2. Colour – White
3. Quick installation and easy dismantling
4. +/- 2mm up & down adjustment
5. +/- 1.5mm left & right adjustment
6. Integrated 3D front panel adjustment
7. **40Kg** dynamic loading capacity and 100,000 cycles tested.

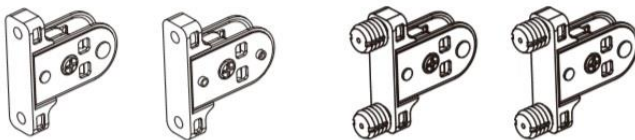
| NO. | PKG CONTENTS |
|-----|------------------------------------|
| A | Left / Right drawer runners |
| B | Left / Right drawer sides |
| C | Left / Right rear brackets |
| D | Left / Right front fixing brackets |
| - | Installation Instructions |

BASIC COMPONENTS OF 135mm High Drawer



DETAILED VIEW ITEM D

Front fixing bracket screw on or with 10x9.8mm Dowels L/R



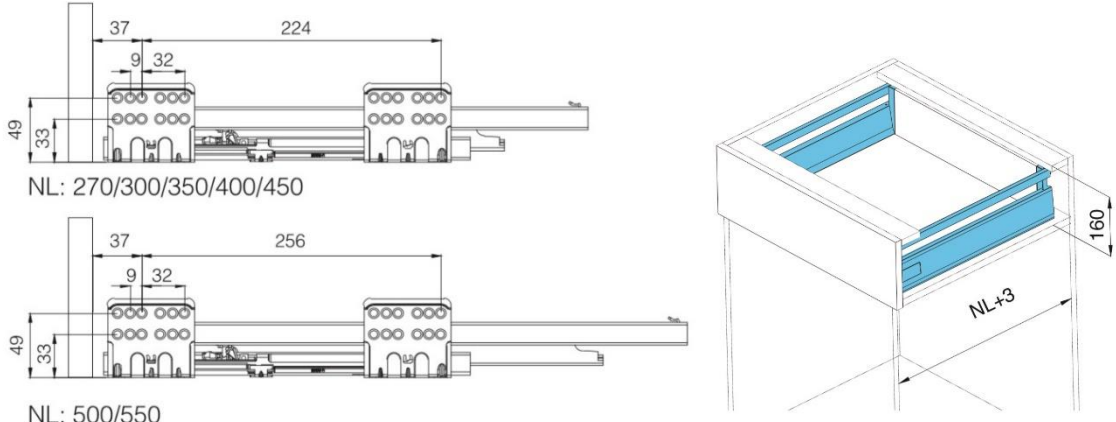
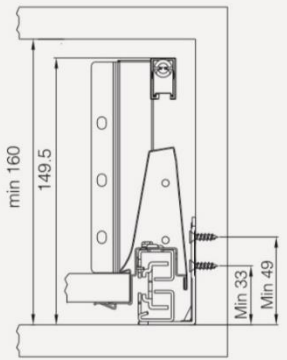
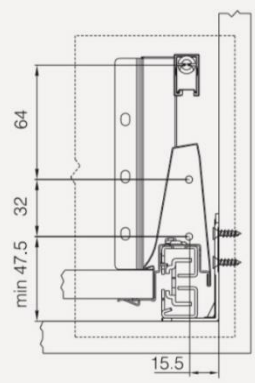
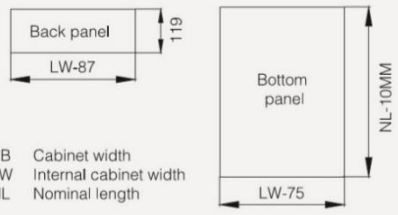
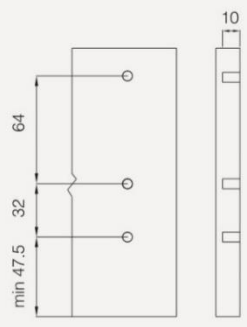
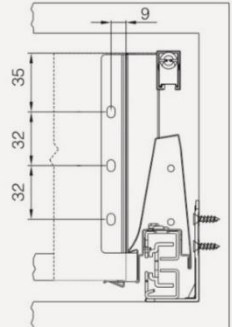
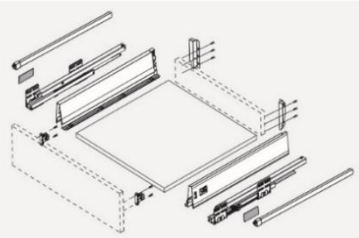
ORDER BACK BRACKET AND SQUARE GALLERY RAIL SEPARATELY

| CODE | DESCRIPTION | NO. |
|---------------|-------------------------------------|-----|
| 11.AR3202119W | Back Bracket WHITE L/R 135mm - PAIR | C |

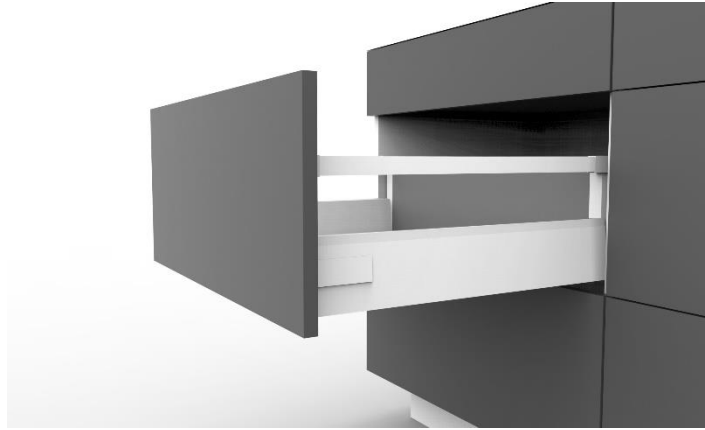
NOTE – Order Top Square Rail Left/Right below: (Item E as per the above drawing)

| CODE | |
|--------------|--|
| 11.AF320270W | Square Gallery Rail 270mm WHITE - PAIR |
| 11.AF320300W | Square Gallery Rail 300mm WHITE - PAIR |
| 11.AF320350W | Square Gallery Rail 350mm WHITE - PAIR |
| 11.AF320400W | Square Gallery Rail 400mm WHITE - PAIR |
| 11.AF320450W | Square Gallery Rail 450mm WHITE – PAIR |
| 11.AF320500W | Square Gallery Rail 500mm WHITE – PAIR |
| 11.AF320550W | Square Gallery Rail 550mm WHITE - PAIR |

11.A3202: CEMUX Drawer System 135mm Installation Dimensions

| | | |
|---|---|--|
|  | | |
| ASSEMBLY DIMENSIONS OF CABINET | FRONT FIXING BRACKETS | |
|  |  | Cutting dimensions for 16mm MDF  <p>KB Cabinet width LW Internal cabinet width NL Nominal length</p> |
| DRILLING HOLE SIZE FRONT OF DRAWER | DRILLING HOLE SIZE BACK OF DRAWER | |
|  |  | Basic components  |

CEMUX: 167mm High - Soft Close Double Metal Wall

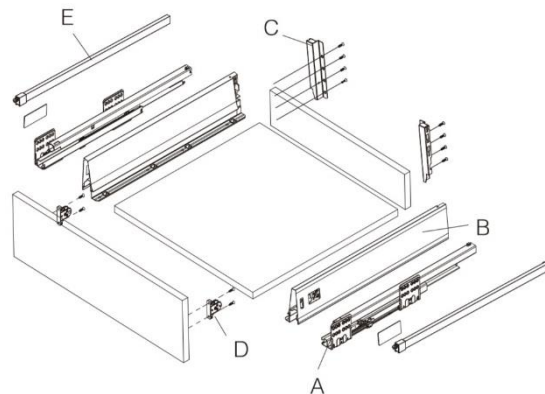


FEATURES

1. Perfect sliding qualities with precision full extension runners incorporating silent & gradual closing
2. Colour – White
3. Quick installation and easy dismantling
4. +/- 2mm up & down adjustment
5. +/- 1.5mm left & right adjustment
6. Integrated 3D front panel adjustment
7. **40Kg** dynamic loading capacity and 100,000 cycles tested.

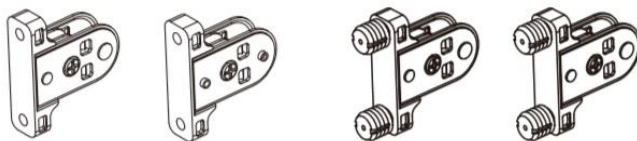
| NO. | PKG CONTENTS |
|-----|------------------------------------|
| A | Left / Right drawer runners |
| B | Left / Right drawer sides |
| C | Left / Right rear brackets |
| D | Left / Right front fixing brackets |
| - | Installation Instructions |

BASIC COMPONENTS OF 167mm High Drawer



DETAILED VIEW ITEM D

Front fixing bracket screw on or with 10x9.8mm Dowels L/R



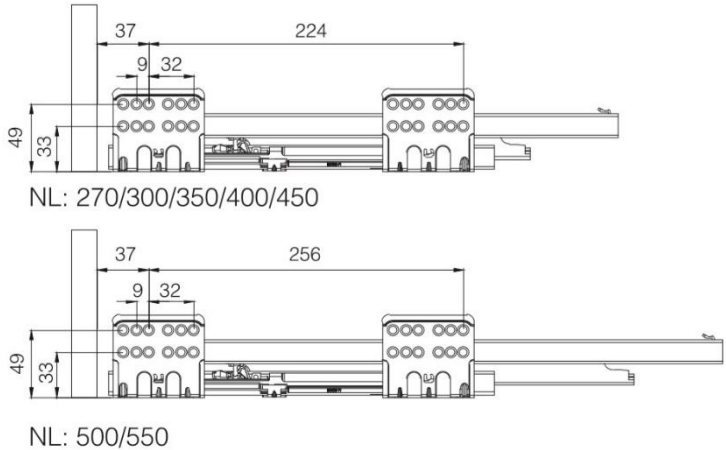
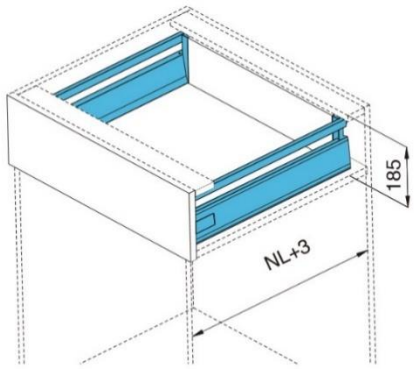
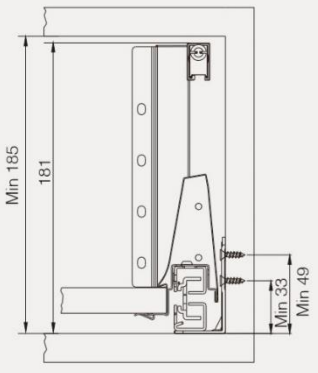
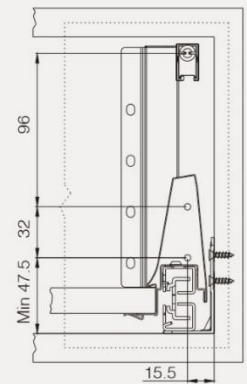
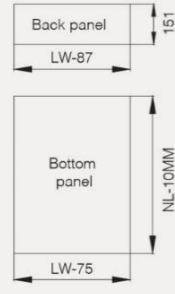
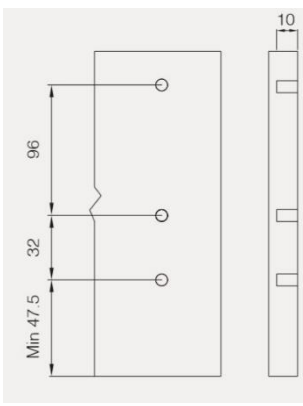
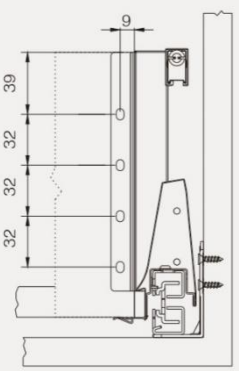
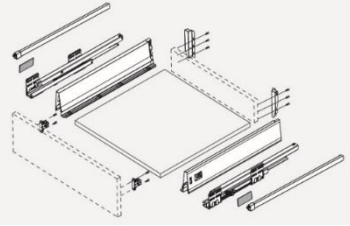
ORDER BACK BRACKET AND SQUARE GALLERY RAIL SEPARATELY

| CODE | DESCRIPTION | NO. |
|---------------|-------------------------------------|-----|
| 11.AR3203151W | Back Bracket WHITE L/R 167mm - PAIR | C |

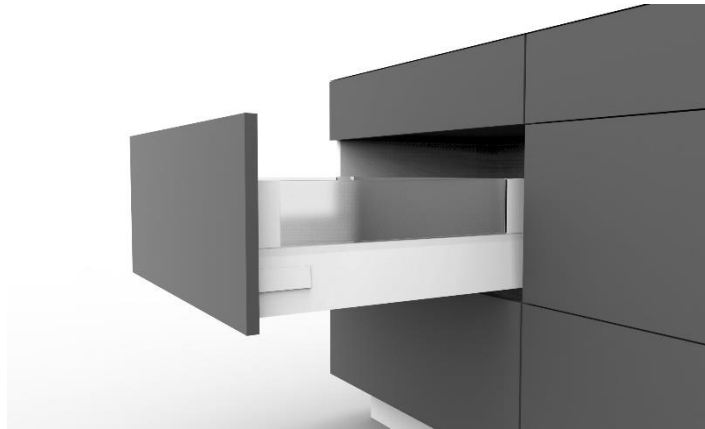
NOTE – Order Top Square Rail Left/Right below: (Item E as per the above drawing)

| CODE | |
|--------------|--|
| 11.AF320270W | Square Gallery Rail 270mm WHITE – PAIR |
| 11.AF320300W | Square Gallery Rail 300mm WHITE – PAIR |
| 11.AF320350W | Square Gallery Rail 350mm WHITE - PAIR |
| 11.AF320400W | Square Gallery Rail 400mm WHITE – PAIR |
| 11.AF320450W | Square Gallery Rail 450mm WHITE - PAIR |
| 11.AF320500W | Square Gallery Rail 500mm WHITE – PAIR |
| 11.AF320550W | Square Gallery Rail 550mm WHITE - PAIR |

11.A3203: CEMUX Drawer System 167mm Installation Dimensions

| | | |
|---|---|---|
|  | |  |
| <p>ASSEMBLY DIMENSIONS OF CABINET</p> | <p>FRONT FIXING BRACKETS</p> | <p>Cutting dimensions for 16mm MDF</p> |
|  |  |  |
| <p>DRILLING HOLE SIZE FRONT OF DRAWER</p> | <p>DRILLING HOLE SIZE BACK OF DRAWER</p> | <p>Basic components</p> |
|  |  |  |

CEMUX: 167mm High with FROSTED Glass - Soft Close Double Metal Wall

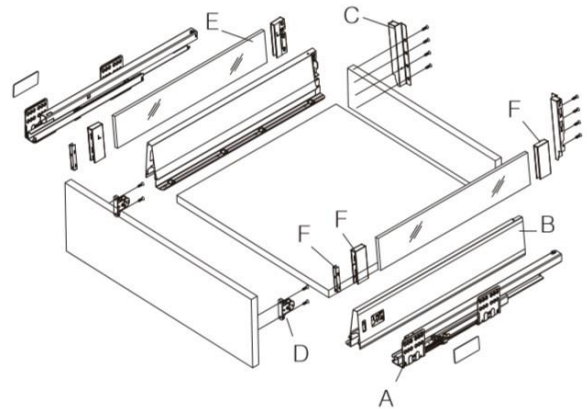


FEATURES

1. Perfect sliding qualities with precision full extension runners incorporating silent & gradual closing
2. Colour – White
3. Quick installation and easy dismantling
4. +/- 2mm up & down adjustment
5. +/- 1.5mm left & right adjustment
6. Integrated 3D front panel adjustment
7. **40Kg** dynamic loading capacity and 100,000 cycles tested.

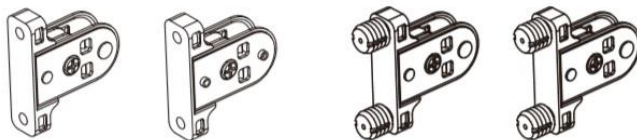
BASIC COMPONENTS OF 11.167 GLASS

| NO. | PKG CONTENTS |
|-----|------------------------------------|
| A | Left / Right drawer runners |
| B | Left / Right drawer sides |
| C | Left / Right rear brackets |
| D | Left / Right front fixing brackets |
| - | Installation Instructions |



DETAILED VIEW ITEM D

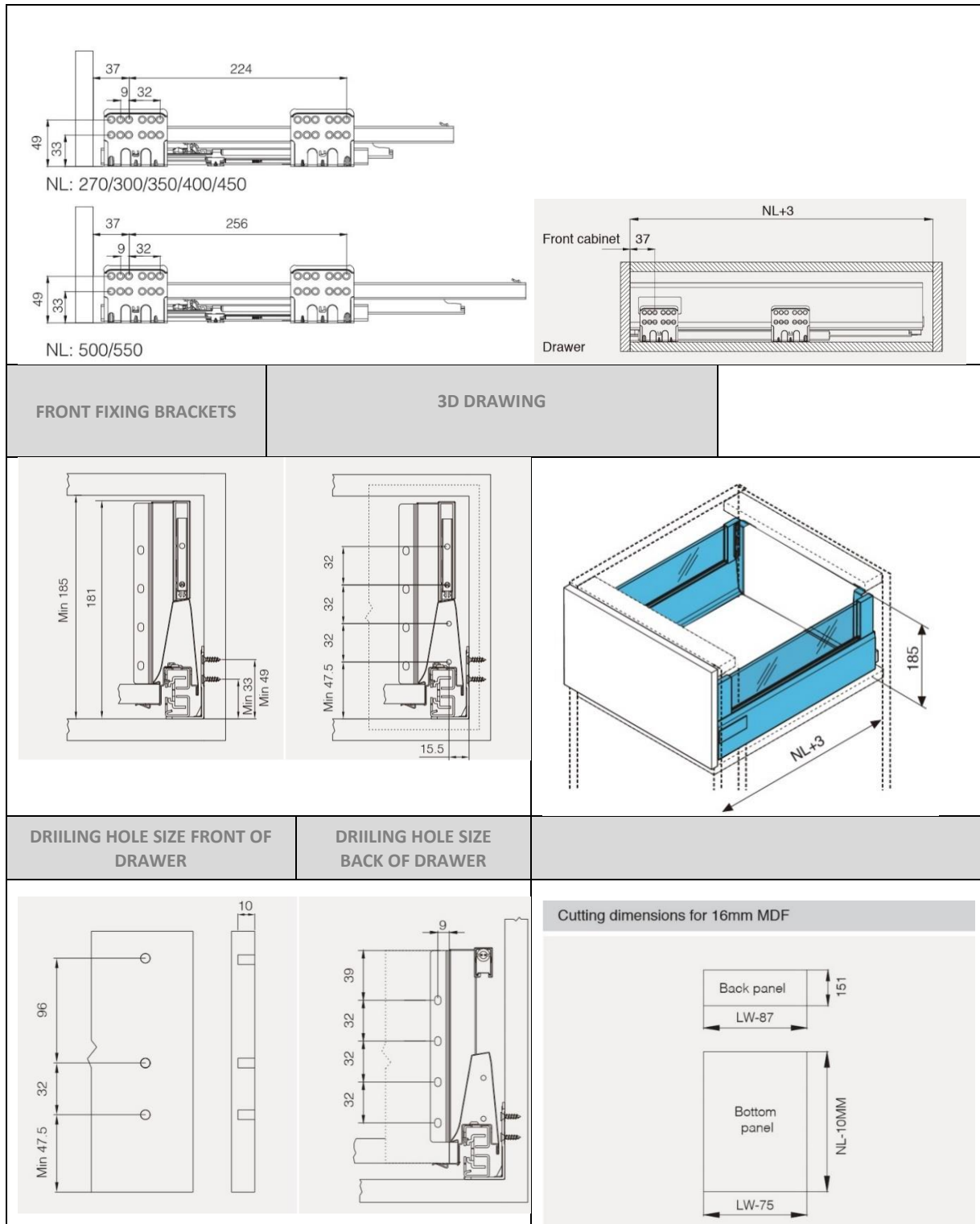
Front fixing bracket screw on or with 10x9.8mm Dowels L/R



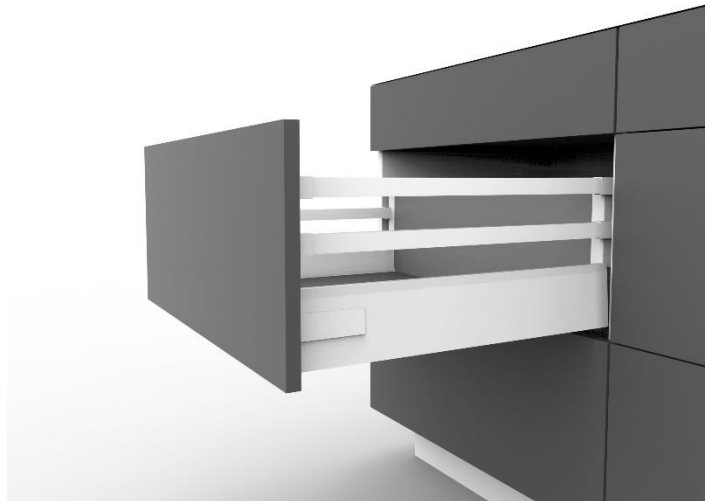
ORDER BRACKETS & GLASS FITTINGS SEPARATELY

| CODE | DESCRIPTION | NO. |
|---------------|--|-----|
| 11.AF3203151W | Back Bracket L/R 167mm – PAIR | D |
| 11.AB1518400F | 8mm Frosted Glass L/R 167mm – 400mm | E |
| 11.AB1518450F | 8mm Frosted Glass L/R 167mm – 450mm | E |
| 11.AB1518500F | 8mm Frosted Glass L/R 167mm – 500mm | E |
| 11.AB1518W | Glass Holder / fastener L/R 167mm - PAIR | F |

11.A3203: CEMUX Drawer System 167mm Installation Dimensions with GLASS sides



CEMUX: 199mm High - Soft Close Double Metal Wall Drawer

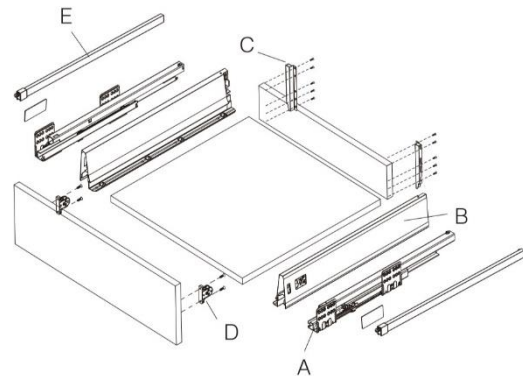


FEATURES

1. Perfect sliding qualities with precision full extension runners incorporating silent & gradual closing
2. Colour – White
3. Quick installation and easy dismantling
4. +/- 2mm up & down adjustment
5. +/- 1.5mm left & right adjustment
6. Integrated 3D front panel adjustment
7. **40Kg** dynamic loading capacity and 100,000 cycles tested.

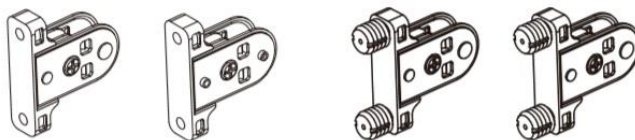
| NO. | PKG CONTENTS |
|-----|------------------------------------|
| A | Left / Right drawer runners |
| B | Left / Right drawer sides |
| C | Left / Right rear brackets |
| D | Left / Right front fixing brackets |
| - | Installation Instructions |

BASIC COMPONENTS OF 199mm High Drawer



DETAILED VIEW ITEM D

Front fixing bracket screw on or with 10x9.8mm Dowels L/R



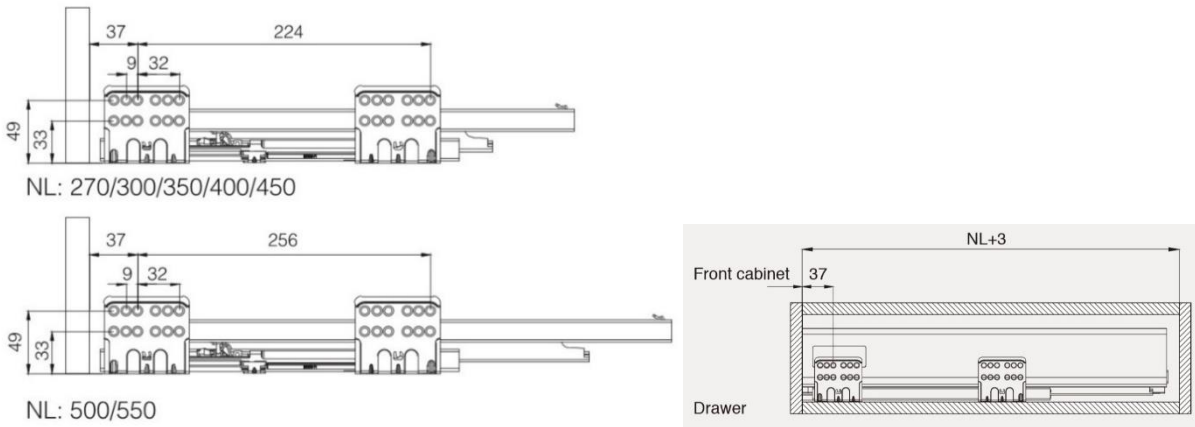
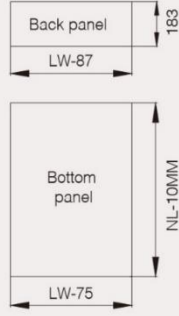
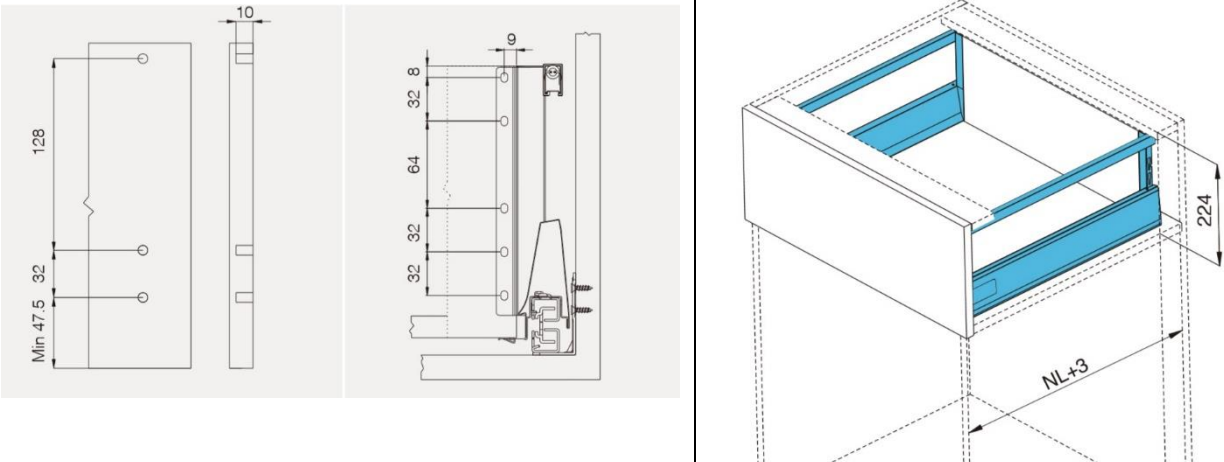
ORDER BACK BRACKET AND SQUARE GALLERY RAIL SEPARATELY

| CODE | DESCRIPTION | NO. |
|---------------|-------------------------------------|-----|
| 11.AR3204183W | Back Bracket WHITE L/R 199mm - PAIR | C |

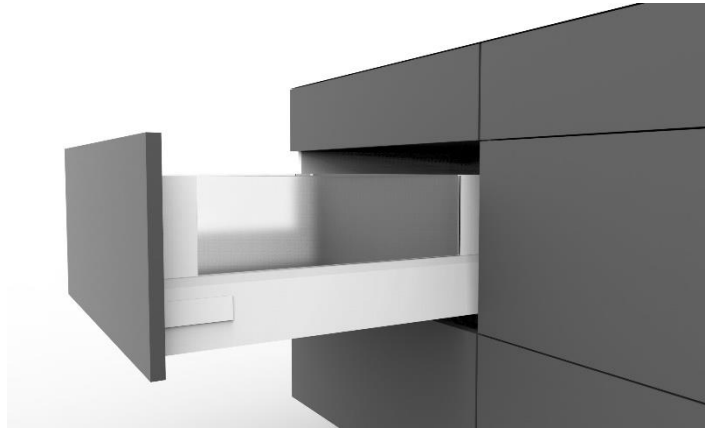
NOTE – Order item E Left/Right below: (Only Top Rail supplied, order Mid Rail Separately if required)

| CODE | |
|--------------|--|
| 11.AF320270W | Square Gallery Rail 270mm – WHITE – PAIR |
| 11.AF320300W | Square Gallery Rail 300mm - WHITE – PAIR |
| 11.AF320350W | Square Gallery Rail 350mm - WHITE – PAIR |
| 11.AF320400W | Square Gallery Rail 400mm - WHITE – PAIR |
| 11.AF320450W | Square Gallery Rail 450mm - WHITE – PAIR |
| 11.AF320500W | Square Gallery Rail 500mm - WHITE – PAIR |
| 11.AF320550W | Square Gallery Rail 550mm - WHITE – PAIR |

11.A3204: CEMUX Drawer System 199mm Installation Dimensions

| | | |
|--|---|--|
|  | | |
| <p>ASSEMBLY DIMENSIONS OF CABINET</p> | <p>FRONT FIXING BRACKETS</p> | <p>Cutting dimensions for 16mm MDF</p>  |
| <p>DRILLING HOLE SIZE FRONT OF DRAWER</p> | <p>DRILLING HOLE SIZE BACK OF DRAWER</p> | <p>3D DRAWING</p>  |

CEMUX: 199mm High with FROSTED Glass - Soft Close Double Metal Wall

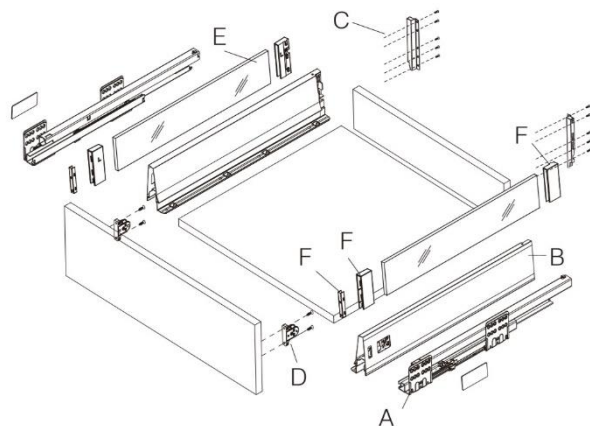


FEATURES

1. Perfect sliding qualities with precision full extension runners incorporating silent & gradual closing
2. Colour – White
3. Quick installation and easy dismantling
4. +/- 2mm up & down adjustment
5. +/- 1.5mm left & right adjustment
6. Integrated 3D front panel adjustment
7. **40Kg** dynamic loading capacity and 100,000 cycles tested.

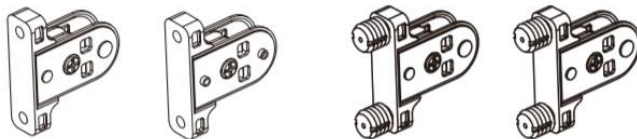
| NO. | PKG CONTENTS |
|-----|------------------------------------|
| A | Left / Right drawer runners |
| B | Left / Right drawer sides |
| C | Left / Right rear brackets |
| D | Left / Right front fixing brackets |
| - | Installation Instructions |

BASIC COMPONENTS OF 199mm High GLASS Drawer



DETAILED VIEW ITEM D

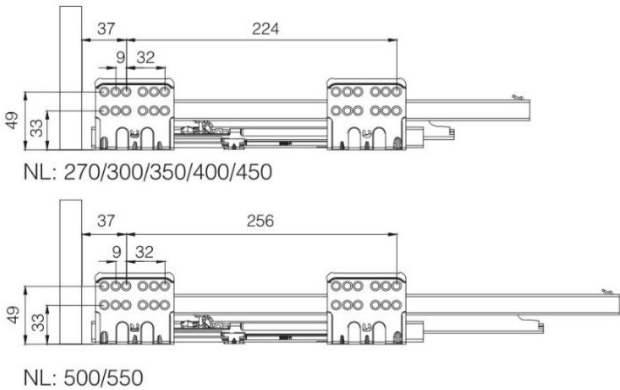
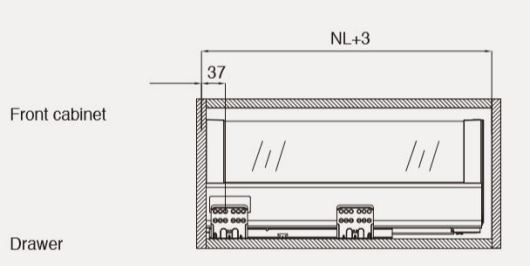
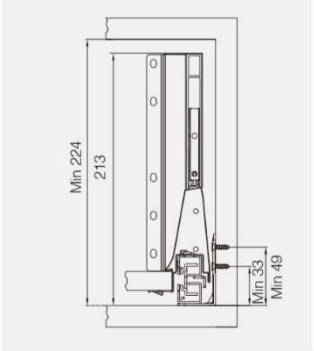
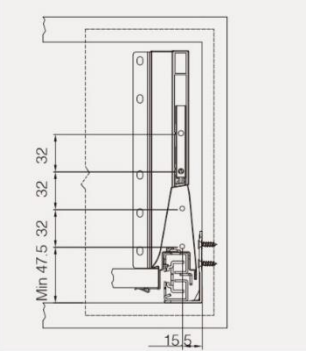
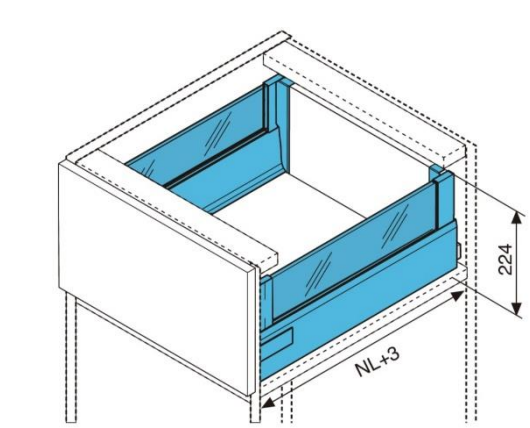
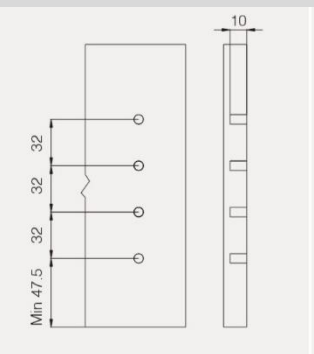
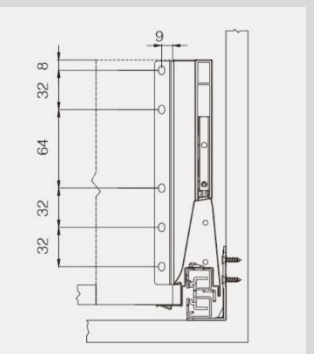
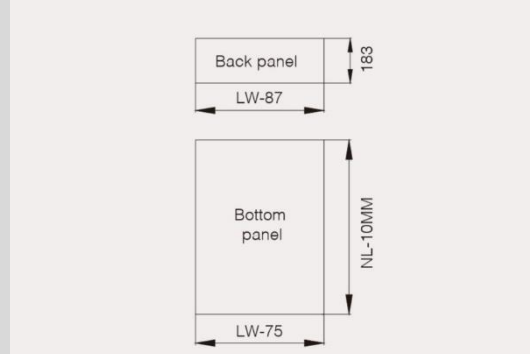
Front fixing bracket screw on or with 10x9.8mm Dowels L/R



ORDER BRACKETS & GLASS FITTINGS SEPARATELY

| CODE | DESCRIPTION | NO. |
|---------------|--|-----|
| 11.AR3204183W | Back Bracket L/R 199mm – PAIR | D |
| 11.AB1838400F | 8mm Frosted Glass L/R 199mm – 400mm | E |
| 11.AB1838450F | 8mm Frosted Glass L/R 199mm – 450mm | E |
| 11.AB1838500F | 8mm Frosted Glass L/R 199mm – 500mm | E |
| 11.AB1838W | Glass Holder / fastener L/R 199mm - PAIR | F |

11.A3204 CEMUX Drawer System 199mm Installation Dimensions with GLASS sides

| | | |
|---|---|---|
|  <p>NL: 270/300/350/400/450</p> <p>NL: 500/550</p> | |  <p>Front cabinet</p> <p>Drawer</p> |
| ASSEMBLY DIMENSIONS OF CABINET | FRONT FIXING BRACKETS | 3D DRAWING |
|  |  |  |
| DRILLING HOLE SIZE FRONT OF DRAWER | DRILLING HOLE SIZE BACK OF DRAWER | CUTTING DIMENSIONS 199mm GLASS SIDES |
|  |  |  |

CEMUX: 84mm High - Soft Close Inner Shallow Double Metal Wall Drawer



FEATURES

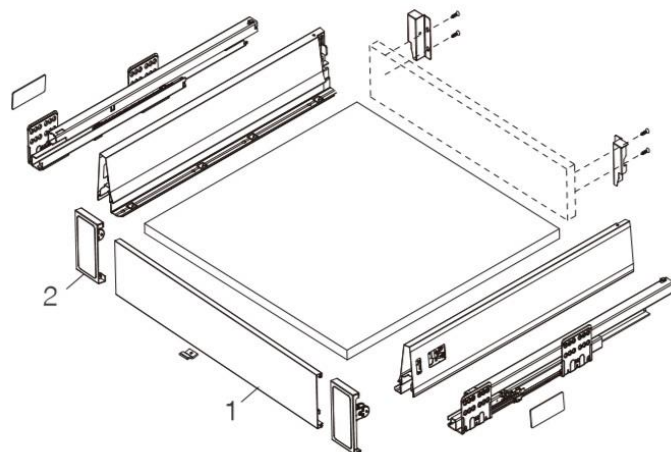
1. Perfect sliding qualities with precision full extension runners incorporating silent & gradual closing
2. Colour – White
3. Quick installation and easy dismantling
4. +/- 2mm up & down adjustment
5. +/- 1.5mm left & right adjustment
6. Integrated 3D front panel adjustment
7. **40Kg** dynamic loading capacity and 100,000 cycles tested.



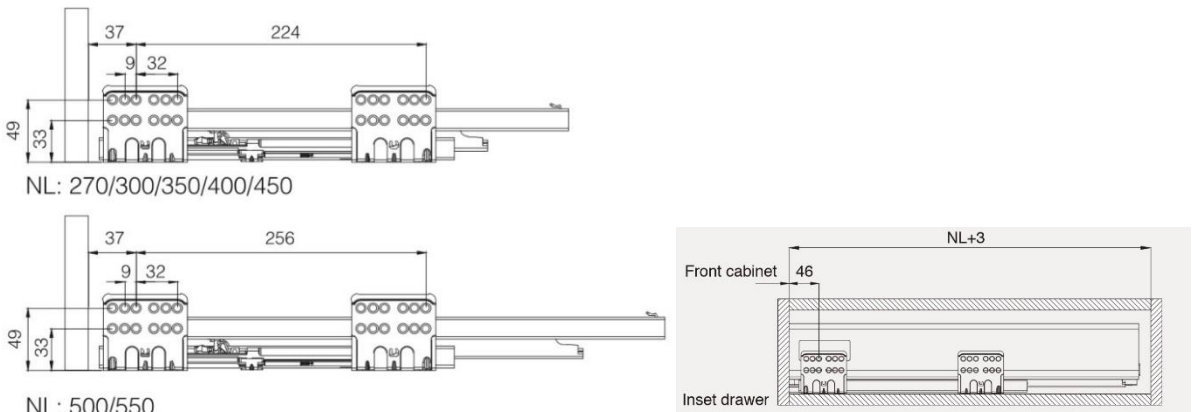
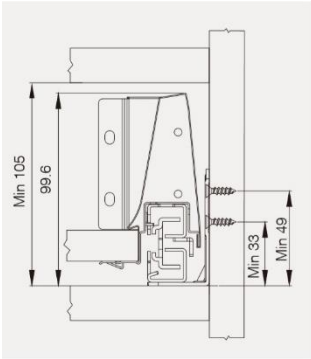
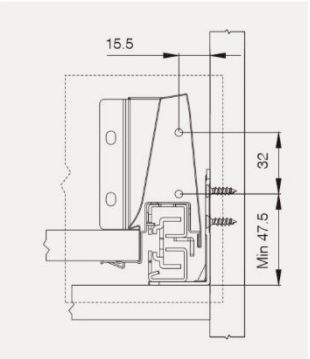
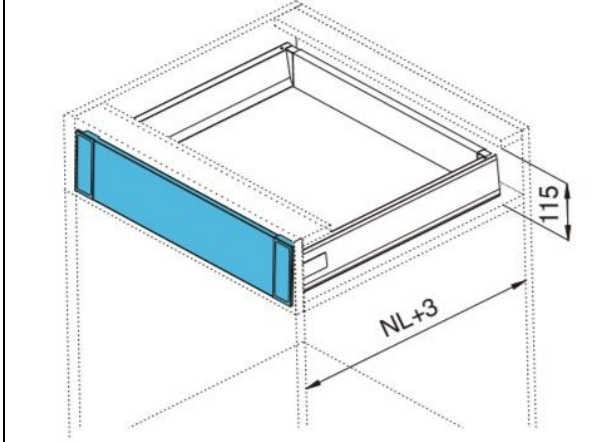
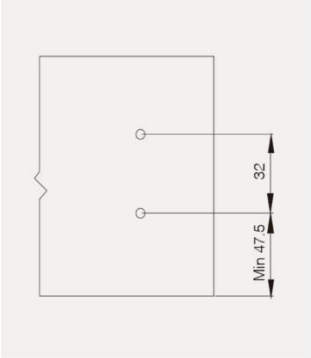
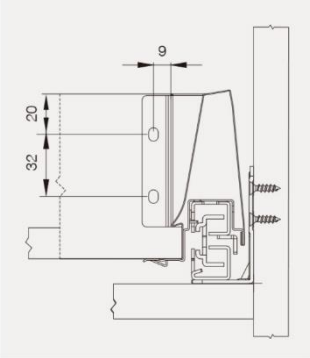
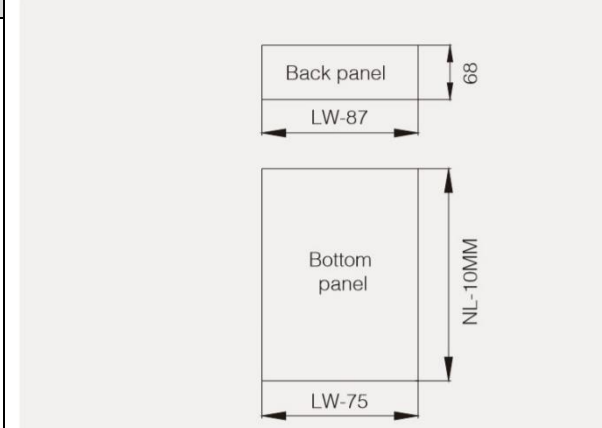
Order 84mm High drawer as per page 1-2 and below two items separately for Inner drawer

| CODE | DESCRIPTION | PKG |
|--------------|---|--------|
| 11.AL321200W | Front Section 1200mm for Inner Drawer WHITE (ref item 1 below) | Each |
| 11.AH320101W | Front Bracket for Inner Drawer to suit 84mm drawer (ref item 2 below) | 1 Pair |

INNER DRAWER 84mm High



11.A3201: CEMUX Inner Drawer System 84mm Installation Dimensions

| | | |
|--|---|--|
|  <p>NL: 270/300/350/400/450</p> <p>NL: 500/550</p> | | |
| ASSEMBLY DIMENSIONS OF CABINET | FRONT FIXING BRACKETS | 3D DRAWING |
|  |  |  |
| DRILLING HOLE SIZE FRONT OF DRAWER | DRILLING HOLE SIZE BACK OF DRAWER | Cutting dimensions for 16mm MDF |
|  |  |  <p>LW Internal cabinet width L Length NL Nominal length KB Cabinet width</p> |

CEMUX: 167mm High - Soft Close Inner Shallow Double Metal Wall Drawer



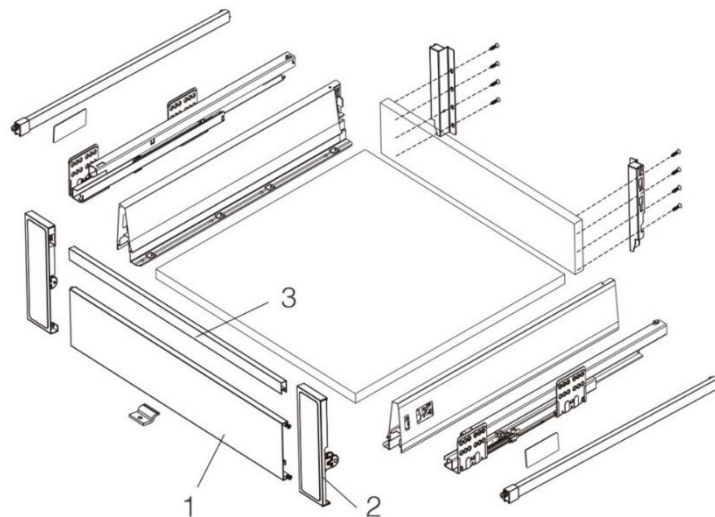
FEATURES

1. Perfect sliding qualities with precision full extension runners incorporating silent & gradual closing
2. Colour – White
3. Quick installation and easy dismantling
4. +/- 2mm up & down adjustment
5. +/- 1.5mm left & right adjustment
6. Integrated 3D front panel adjustment
7. **40Kg** dynamic loading capacity and 100,000 cycles tested.

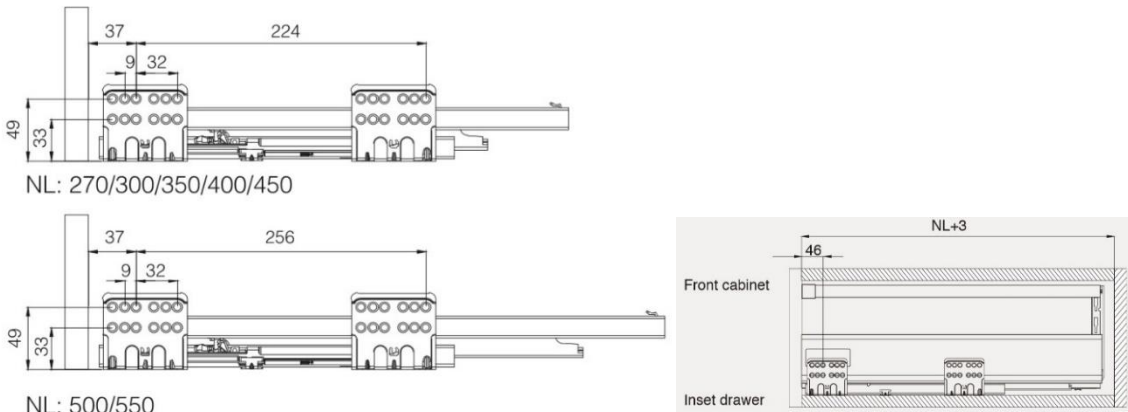
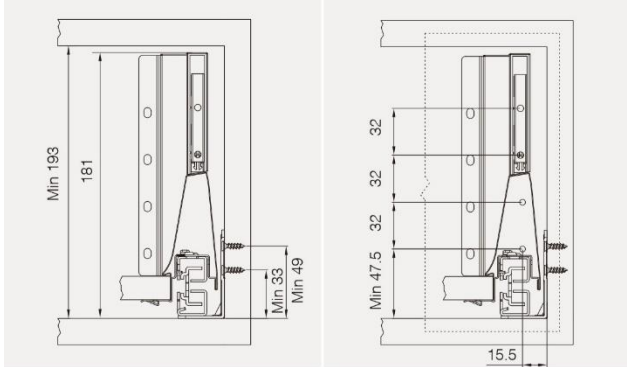
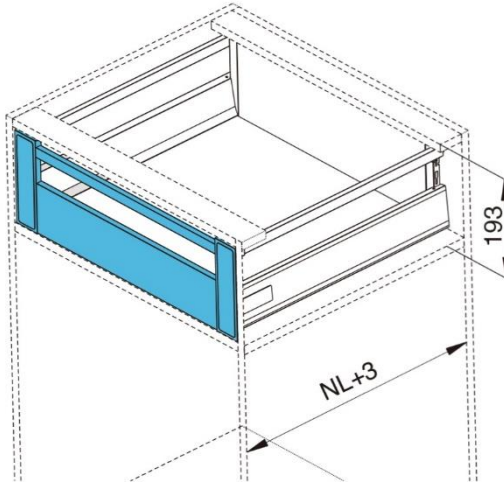
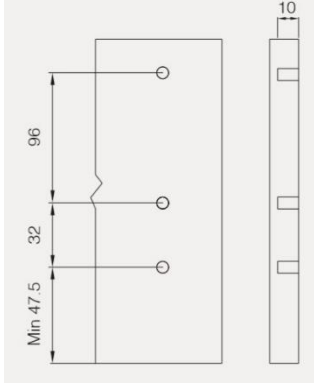
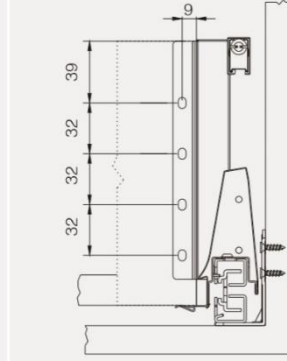
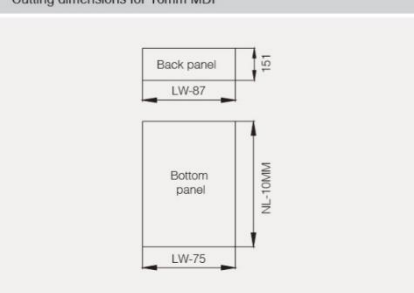
Order 167mm High drawer as shown on page 1-6 and below items separately for Inner drawer

| CODE | DESCRIPTION | PKG |
|--------------|--|--------|
| 11.AL321200W | Front Section 1200mm for Inner Drawer WHITE (ref item 1 below) | Each |
| 11.AF320301W | Front Bracket for Inner Drawer to suit 167mm drawer (ref item 2 below) | 1 Pair |
| 11.HF321200W | Cross Square Rail 1200mm WHITE (ref item 3 below) | Each |

INNER DRAWER 167mm High



11.A3203: CEMUX Inner Drawer System 167mm Installation Dimensions

| | | |
|---|---|---|
|  <p>NL: 270/300/350/400/450</p> <p>NL: 500/550</p> <p>Front cabinet</p> <p>Inset drawer</p> | | |
| ASSEMBLY DIMENSIONS OF CABINET | FRONT FIXING BRACKETS | 3D DRAWING |
|  | |  |
| DRILLING HOLE SIZE FRONT OF DRAWER | DRILLING HOLE SIZE BACK OF DRAWER | Cutting dimensions for 16mm MDF |
|  |  |  <p>Cutting dimensions for front panel</p> <p>Front panel length = LW-90</p> <p>Front rail length = LW-92</p> |
| | | <p>LW Internal cabinet width L Length</p> <p>NL Nominal length KB Cabinet width</p> |

CEMUX: 167mm High Drawer with GLASS SIDES - Soft Close Inner Drawer



FEATURES

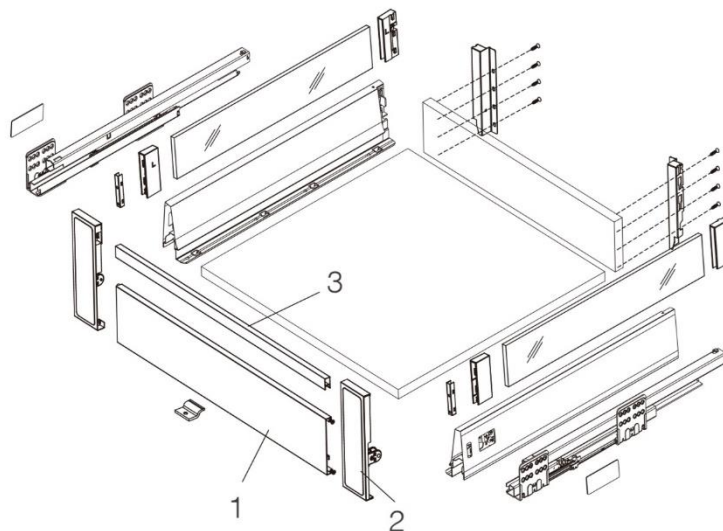


1. Perfect sliding qualities with precision full extension runners incorporating silent & gradual closing
2. Colour – White
3. Quick installation and easy dismantling
4. +/- 2mm up & down adjustment
5. +/- 1.5mm left & right adjustment
6. Integrated 3D front panel adjustment
7. **40Kg** dynamic loading capacity and 100,000 cycles tested.

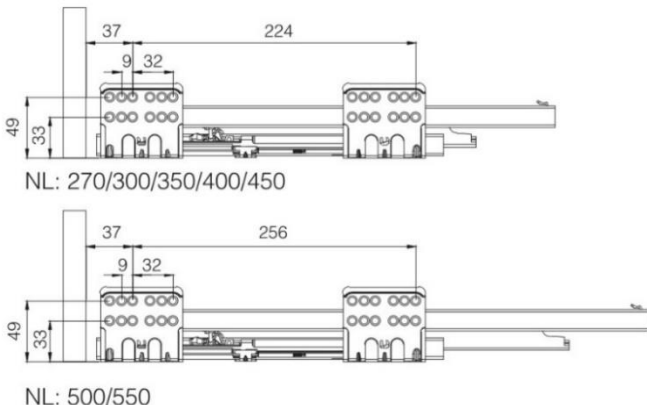
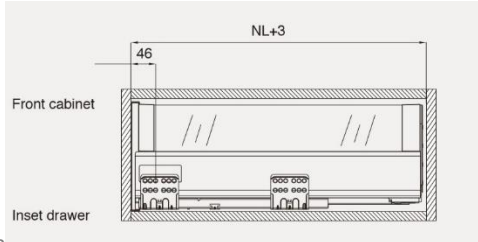
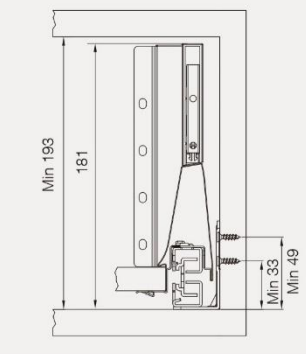
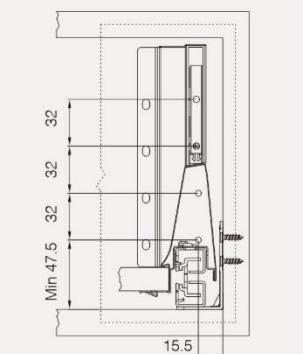
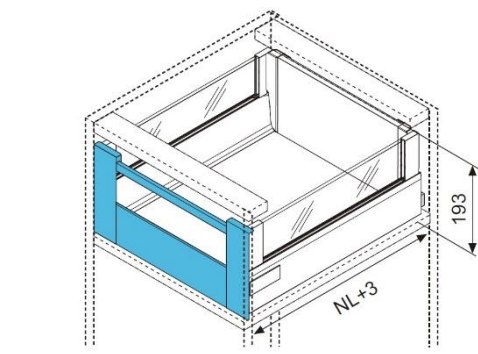
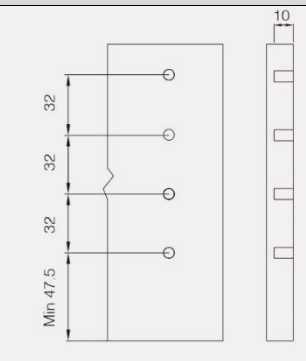
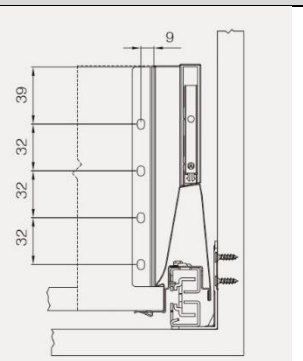
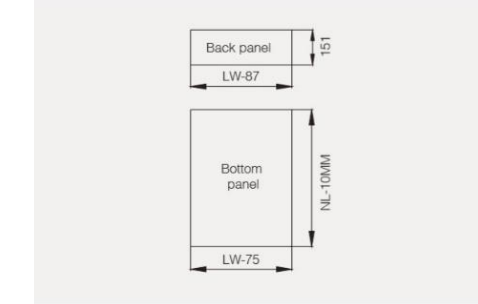
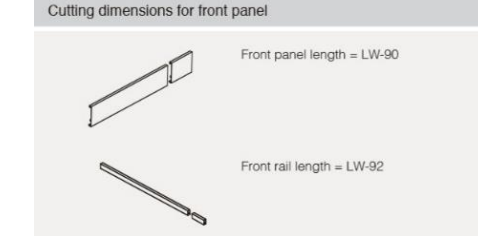
Order 167mm High drawer as shown on page 1-2 and below items separately to suit Inner drawer with Glass

| CODE | DESCRIPTION | PKG |
|---------------|--|------|
| 11.AL321200W | Front Section 1200mm for Inner Drawer WHITE (ref item 1 below) | EACH |
| 11.AF320301W | Front Bracket for Inner Drawer to suit 167mm drawer (ref item 2 below) | PAIR |
| 11.HF321200W | Cross Square Rail 1200mm WHITE (ref item 3 below) | EACH |
| 11.AR3203151W | Back Bracket L/R 167mm – PAIR | PAIR |
| 11.AB1518400F | 8mm Frosted Glass L/R 167mm – 400mm | PAIR |
| 11.AB1518450F | 8mm Frosted Glass L/R 167mm – 450mm | PAIR |
| 11.AB1518500F | 8mm Frosted Glass L/R 167mm – 500mm | PAIR |
| 11.AB1518W | Glass Holder / fastener L/R 167mm - PAIR | PAIR |

INNER DRAWER 167mm High GLASS



11.A3203: CEMUX Inner Frosted GLASS Drawer System 167mm Installation Dimensions

| | | | |
|--|---|---|---|
|  <p>NL: 270/300/350/400/450</p> <p>NL: 500/550</p> | | |  <p>Front cabinet</p> <p>Inset drawer</p> |
| <p>ASSEMBLY DIMENSIONS OF CABINET</p>  | <p>FRONT FIXING BRACKETS</p>  | <p>3D DRAWING</p>  | |
| <p>DRILLING HOLE SIZE FRONT OF DRAWER</p>  | <p>DRILLING HOLE SIZE BACK OF DRAWER</p>  | <p>Cutting dimensions for 16mm MDF</p>  <p>Cutting dimensions for front panel</p>  <p>Front panel length = LW-90</p> <p>Front rail length = LW-92</p> | |
| | | <p>LW Internal cabinet width L Length</p> <p>NL Nominal length KB Cabinet width</p> | |

CEMUX: 199mm High - Soft Close Inner Shallow Double Metal Wall Drawer



FEATURES

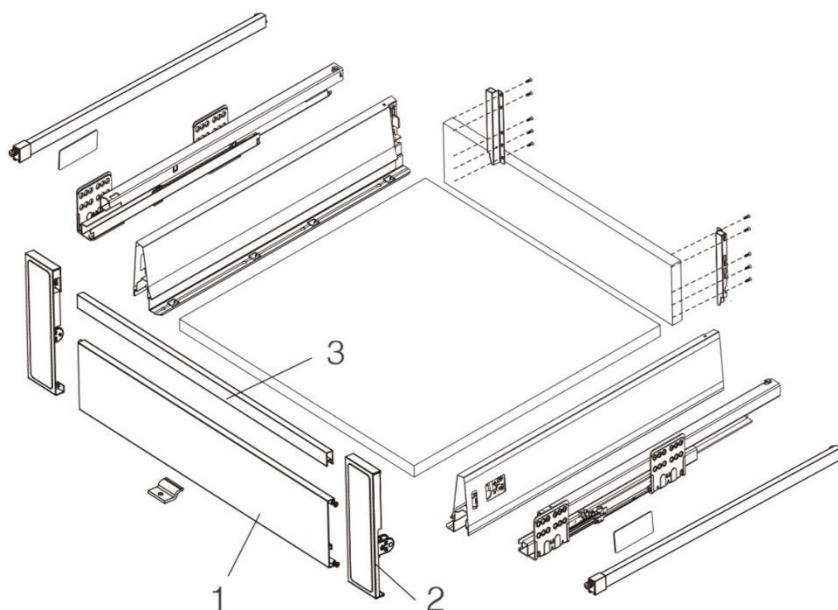
1. Perfect sliding qualities with precision full extension runners incorporating silent & gradual closing
2. Colour – White
3. Quick installation and easy dismantling
4. +/- 2mm up & down adjustment
5. +/- 1.5mm left & right adjustment
6. Integrated 3D front panel adjustment
7. **40Kg** dynamic loading capacity and 100,000 cycles tested.

Order 199mm High drawer as shown on page 1-10 and below items separately to suit Inner drawer

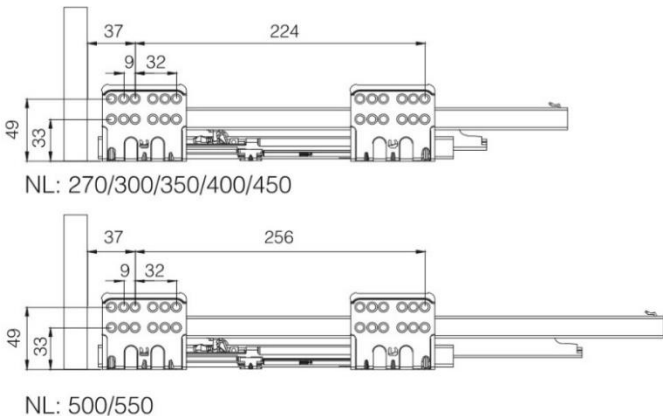
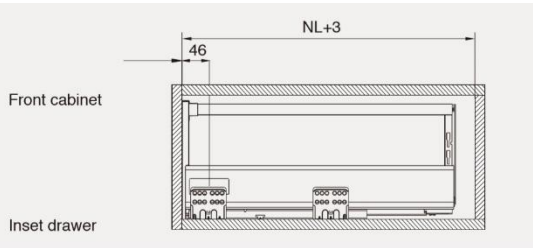
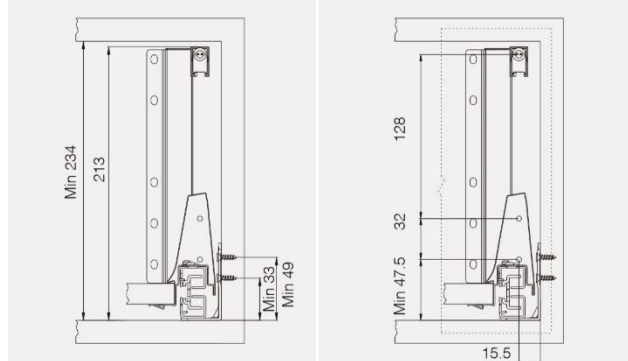
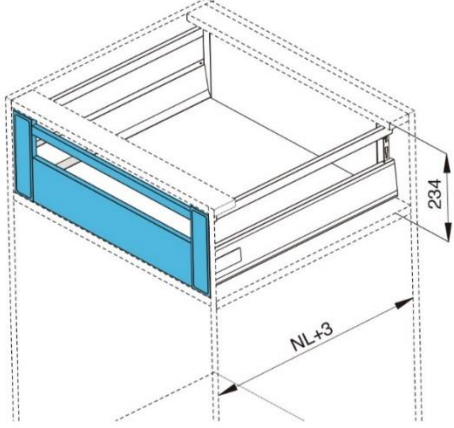
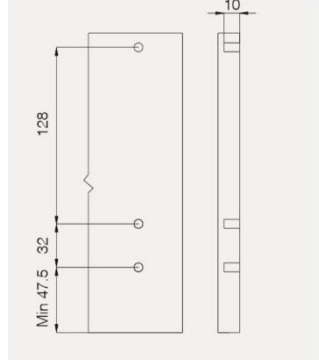
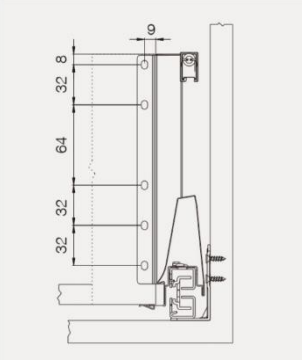
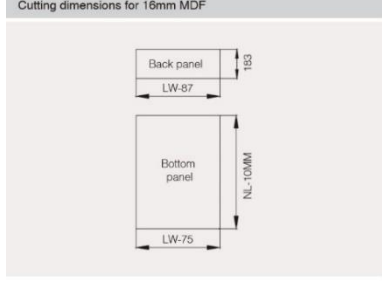
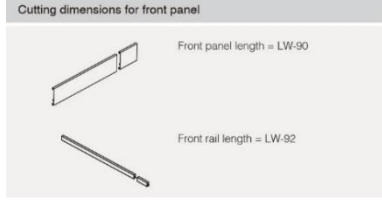
(Only Top Rail supplied, order Mid Rail Separately if required)

| CODE | DESCRIPTION | PKG |
|--------------|---|------|
| 11.AL321200W | Front Section 1200mm for Inner Drawer WHITE <i>(ref item 1 below)</i> | EACH |
| 11.AF320401W | Front Bracket for Inner Drawer to suit 199mm drawer <i>(ref item 2 below)</i> | PAIR |
| 11.HF321200W | Cross Square Rail 1200mm WHITE <i>(ref item 3 below)</i> | EACH |

INNER DRAWER 199mm High



11.A3204: CEMUX Inner Drawer System 199mm Installation Dimensions

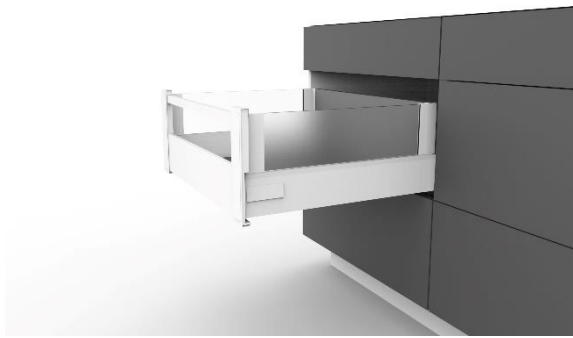
|  <p>NL: 270/300/350/400/450</p> <p>NL: 500/550</p> | |  <p>Front cabinet</p> <p>Inset drawer</p> |
|---|---|---|
| ASSEMBLY DIMENSIONS OF CABINET | FRONT FIXING BRACKETS | 3D DRAWING |
|  | |  |
| DRILLING HOLE SIZE FRONT OF DRAWER | DRILLING HOLE SIZE BACK OF DRAWER | Cutting dimensions for 16mm MDF |
|  |  |  <p>Back panel 183 LW-87</p> <p>Bottom panel NL-10MM LW-75</p> |
| | | <p>Cutting dimensions for front panel!</p>  <p>Front panel length = LW-90</p> <p>Front rail length = LW-92</p> |
| | | <p>LW Internal cabinet width L Length</p> <p>NL Nominal length KB Cabinet width</p> |

CEMUX: 199mm High Drawer with GLASS SIDES - Soft Close Inner Drawer



FEATURES

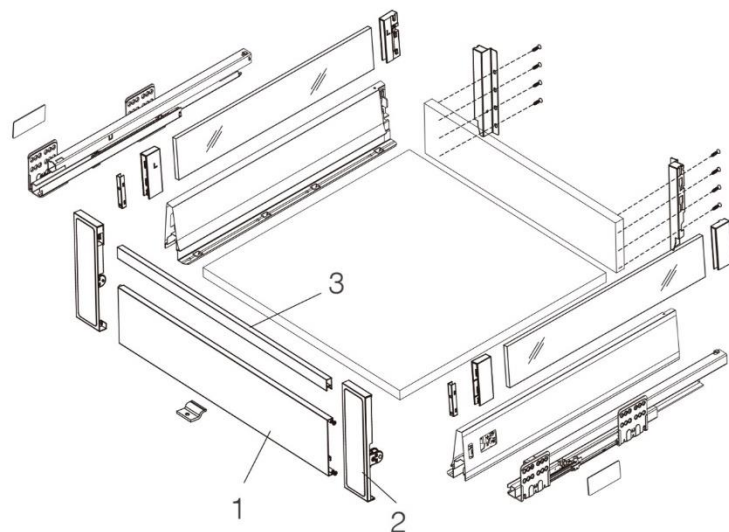
1. Perfect sliding qualities with precision full extension runners incorporating silent & gradual closing
2. Colour – White
3. Quick installation and easy dismantling
4. +/- 2mm up & down adjustment
5. +/- 1.5mm left & right adjustment
6. Integrated 3D front panel adjustment
7. **40Kg** dynamic loading capacity and 100,000 cycles tested.



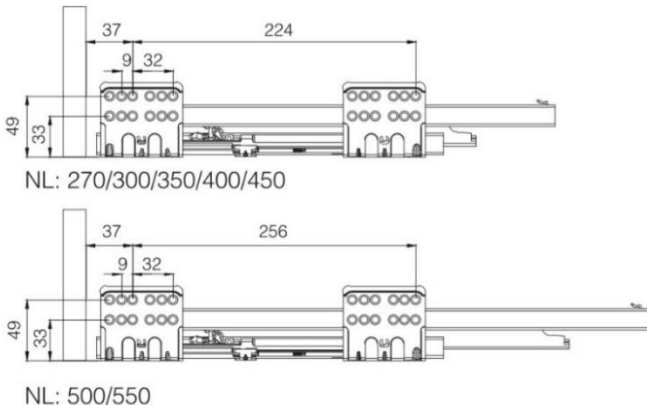
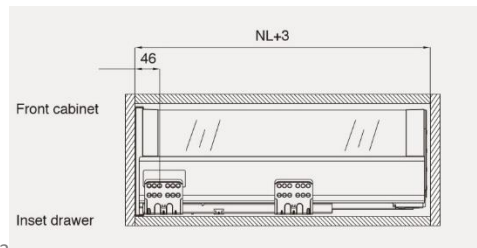
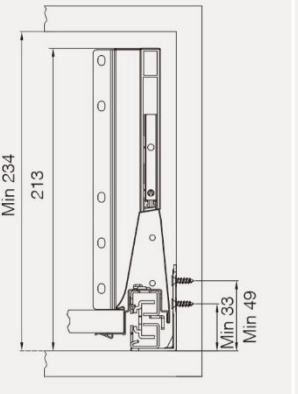
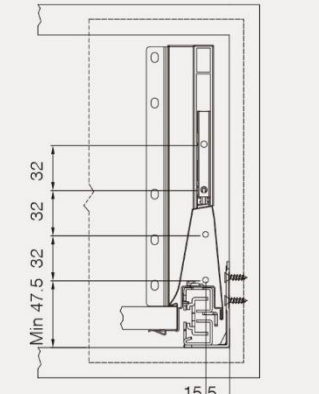
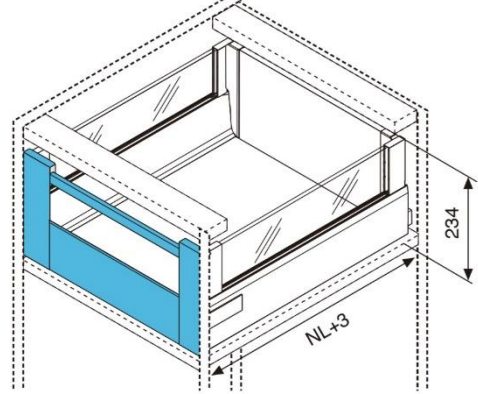
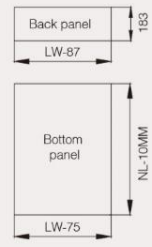
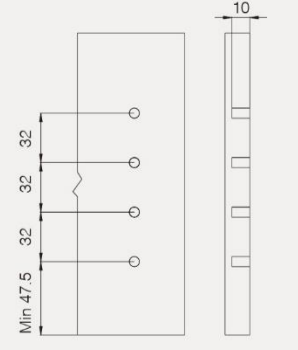
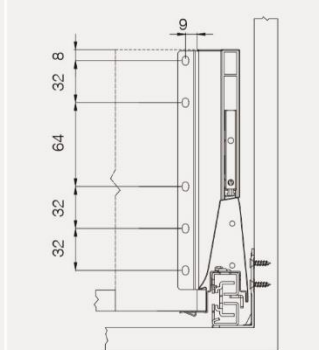
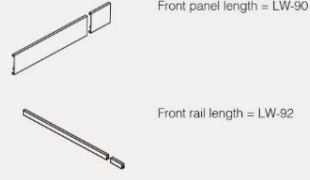
Order 199mm High drawer as shown on page 1-2 and below items separately to suit inner drawer with GLASS

| CODE | DESCRIPTION | PKG |
|---------------|---|------|
| 11.AL321200W | Front Section 1200mm for Inner Drawer WHITE (<i>ref item 1 below</i>) | EACH |
| 11.AF320401W | Front Bracket for Inner Drawer to suit 199mm drawer (<i>ref item 2 below</i>) | PAIR |
| 11.HF321200W | Cross Square Rail 1200mm WHITE (<i>ref item 3 below</i>) | EACH |
| 11.AR3204183W | Back Bracket L/R 199mm – PAIR | PAIR |
| 11.AB1838400F | 8mm Frosted Glass L/R 199mm – 400mm | PAIR |
| 11.AB1838450F | 8mm Frosted Glass L/R 199mm – 450mm | PAIR |
| 11.AB1838500F | 8mm Frosted Glass L/R 199mm – 500mm | PAIR |
| 11.AB1838W | Glass Holder / fastener L/R 199mm - PAIR | PAIR |

INNER DRAWER 199mm High GLASS



11.A3204: CEMUX Inner Frosted GLASS Drawer System 199mm Installation Dimensions

| | | | |
|---|---|---|---|
|  <p>NL: 270/300/350/400/450</p> <p>NL: 500/550</p> | | |  <p>Front cabinet</p> <p>Inset drawer</p> |
| <p>ASSEMBLY DIMENSIONS OF CABINET</p> | <p>FRONT FIXING BRACKETS</p> | <p>3D DRAWING</p> | |
|  |  |  | |
| <p>DRILLING HOLE SIZE FRONT OF DRAWER</p> | <p>DRILLING HOLE SIZE BACK OF DRAWER</p> | <p>Cutting dimensions for 16mm MDF</p>  <p>Back panel</p> <p>LW-87</p> <p>153</p> <p>Bottom panel</p> <p>NL-10MM</p> <p>LW-75</p> | |
|  |  | <p>Cutting dimensions for front panel</p>  <p>Front panel length = LW-90</p> <p>Front rail length = LW-92</p> | |
| | | <p>LW Internal cabinet width L Length</p> <p>NL Nominal length KB Cabinet width</p> | |

CEMUX - SlimPRO Series Drawer Systems >>



CEMUX – SlimPRO: 84mm High Soft Close Slimline Drawer System

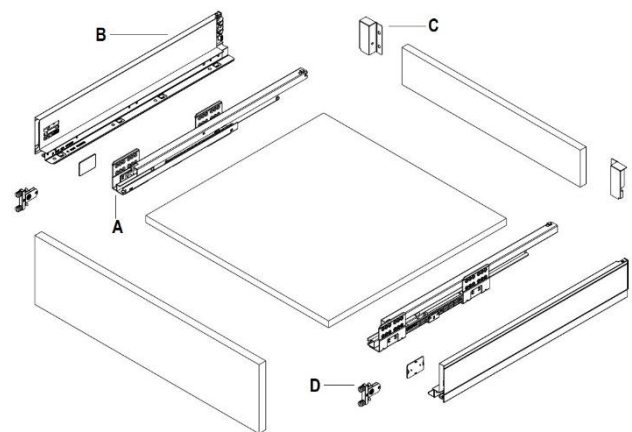
FEATURES

1. Slim wall 13mm
2. Full extension runners incorporating silent and gradual closing
3. Colour – White
4. 84mm High panel
5. +/- 2mm up & down adjustment
6. +/- 1.5mm left & right adjustment
7. Integrated 3D front panel adjustment
8. **40Kg** dynamic loading capacity and 100,000 cycles tested.
9. Sizes available 400 - 500mm



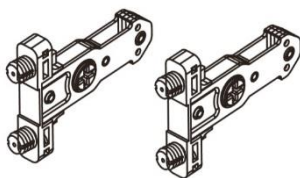
BASIC COMPONENTS OF 12.H1301A

| NO. | PKG CONTENTS |
|-----|------------------------------------|
| A | Left / Right drawer runners |
| B | Left / Right drawer sides |
| C | Left / Right rear brackets |
| D | Left / Right front fixing brackets |
| - | Installation Instructions |



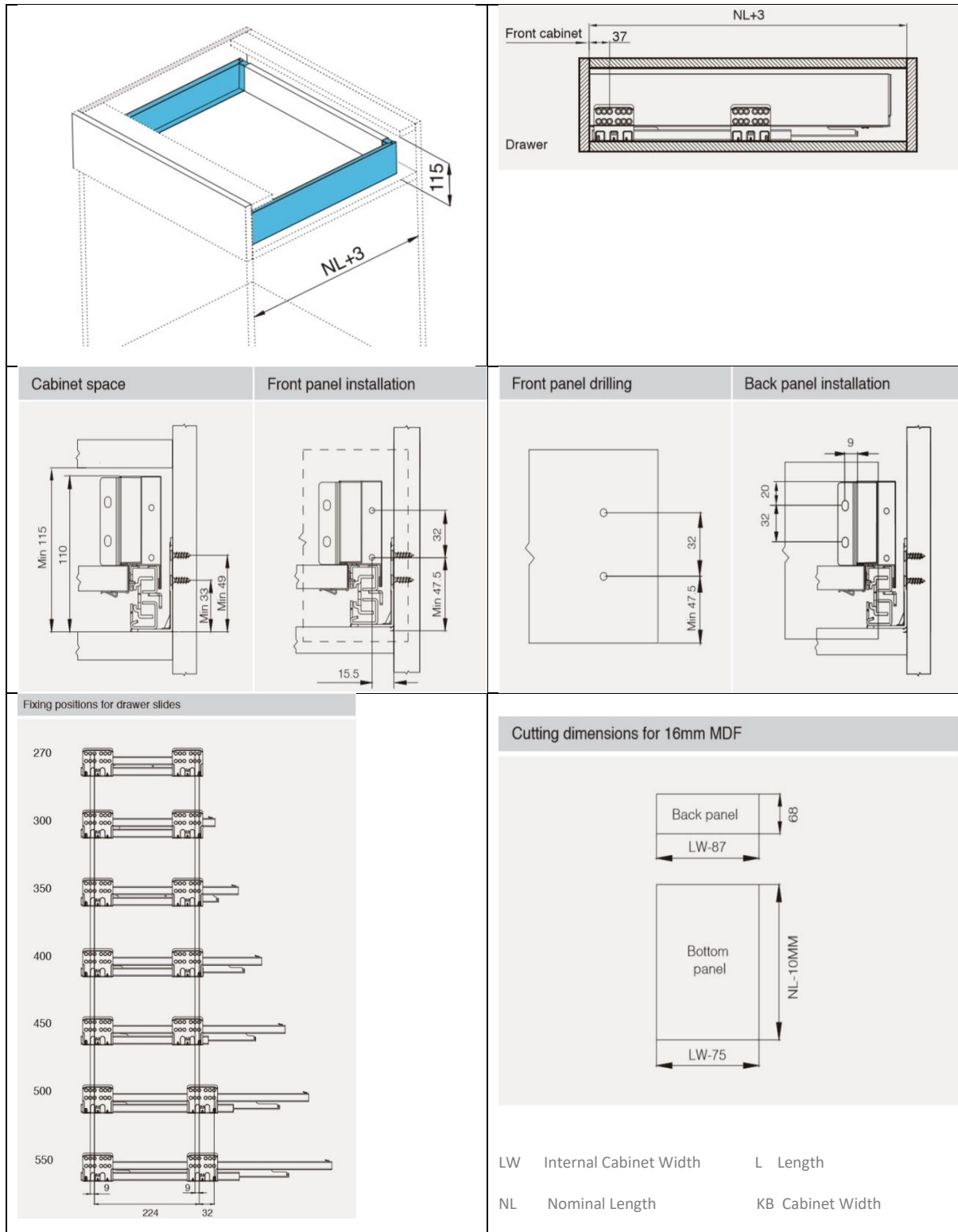
DETAILED VIEW ITEM D

Front fixing bracket with 10x9.8mm Dowels L/R

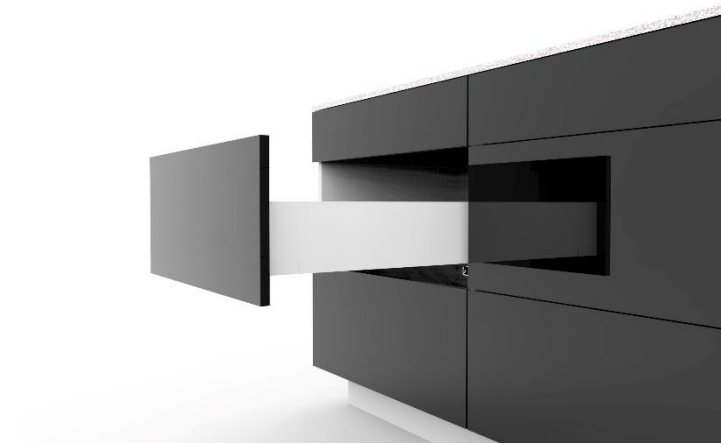


| CODE | DESCRIPTION | PKG |
|---------------|--|-------|
| 12.H1301A.400 | SlimPRO Soft Close Drawer System 84H x 400mm – White | 1 Set |
| 12.H1301A.450 | SlimPRO Soft Close Drawer System 84H x 450mm – White | 1 Set |
| 12.H1301A.500 | SlimPRO Soft Close Drawer System 84H x 500mm – White | 1 Set |

12.H1301A SlimPRO - 84mm Drawer System - Installation Dimensions



CEMUX – SlimPRO: 116mm High Soft Close Slimline Drawer System

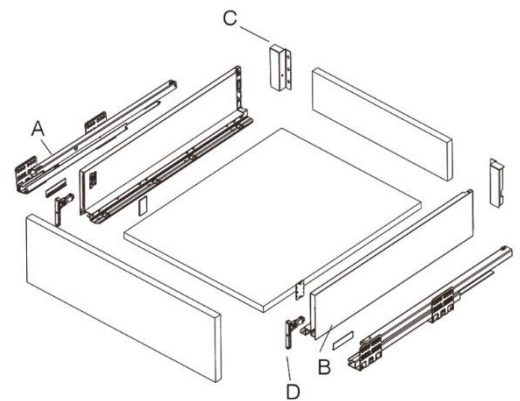


FEATURES

1. Slim wall 13mm
2. Full extension runners incorporating silent and gradual closing
3. Colour – White
4. 116mm High panel
5. +/- 2mm up & down adjustment
6. +/- 1.5mm left & right adjustment
7. Integrated 3D front panel adjustment
8. **40Kg** dynamic loading capacity and 100,000 cycles tested.
9. Sizes available 270 - 550mm

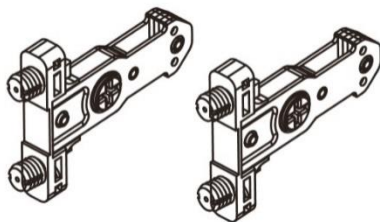
BASIC COMPONENTS OF 12.H1302B

| NO. | PKG CONTENTS |
|-----|------------------------------------|
| A | Left / Right drawer runners |
| B | Left / Right drawer sides |
| C | Left / Right rear brackets |
| D | Left / Right front fixing brackets |
| - | Installation Instructions |



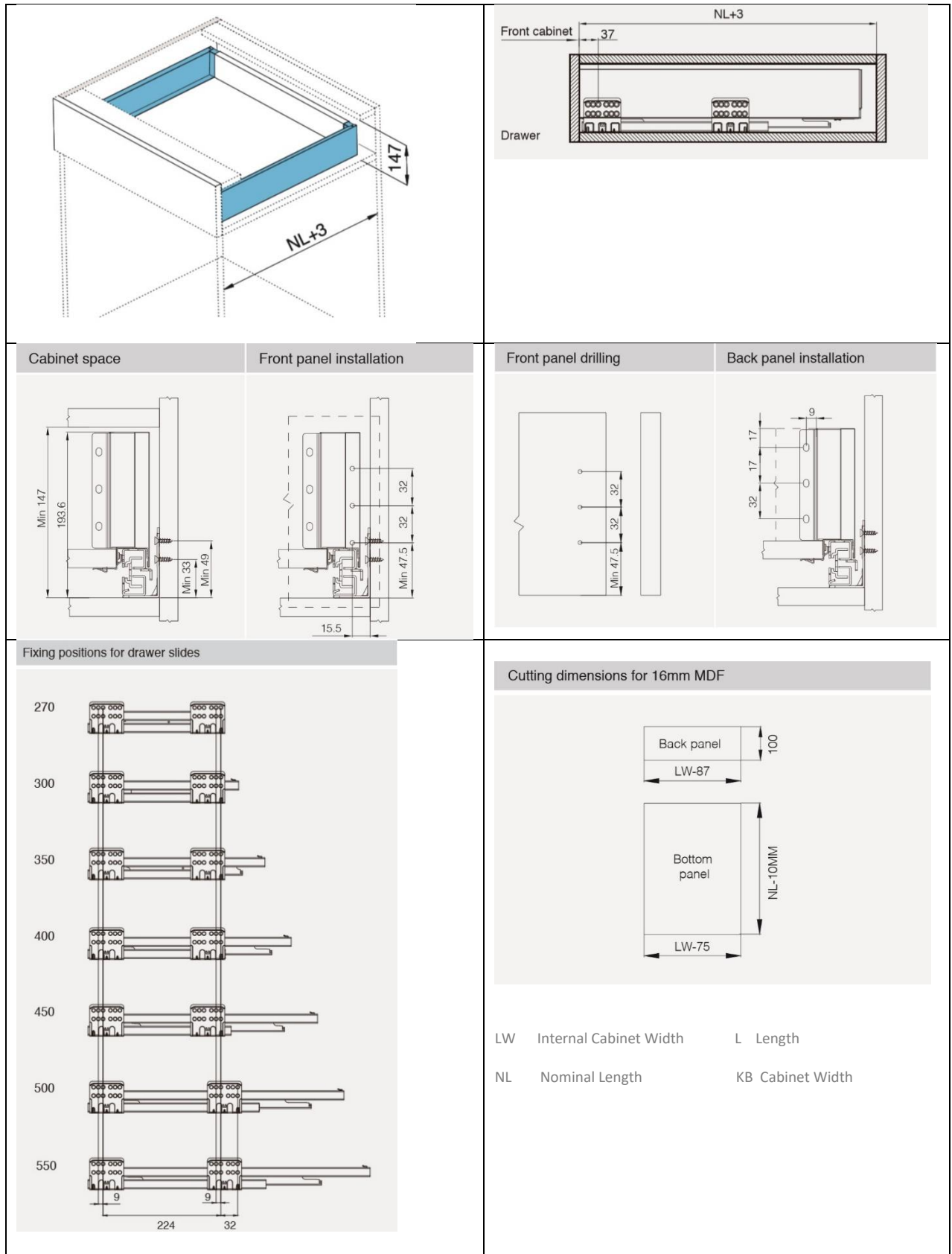
DETAILED VIEW ITEM D

Front fixing bracket with 10x9.8mm Dowels L/R



| CODE | DESCRIPTION | PKG |
|---------------|---|-------|
| 12.H1302B.270 | SlimPRO Soft Close Drawer System 116H x 270mm – White | 1 Set |
| 12.H1302B.300 | SlimPRO Soft Close Drawer System 116H x 300mm – White | 1 Set |
| 12.H1302B.350 | SlimPRO Soft Close Drawer System 116H x 350mm – White | 1 Set |
| 12.H1302B.400 | SlimPRO Soft Close Drawer System 116H x 400mm – White | 1 Set |
| 12.H1302B.450 | SlimPRO Soft Close Drawer System 116H x 450mm – White | 1 Set |
| 12.H1302B.500 | SlimPRO Soft Close Drawer System 116H x 500mm – White | 1 Set |
| 12.H1302B.550 | SlimPRO Soft Close Drawer System 116H x 550mm – White | 1 Set |

12.H1302B: 116mm SlimPRO Drawer System Installation Dimensions



CEMUX – SlimPRO: 167mm High Soft Close Slimline Drawer System

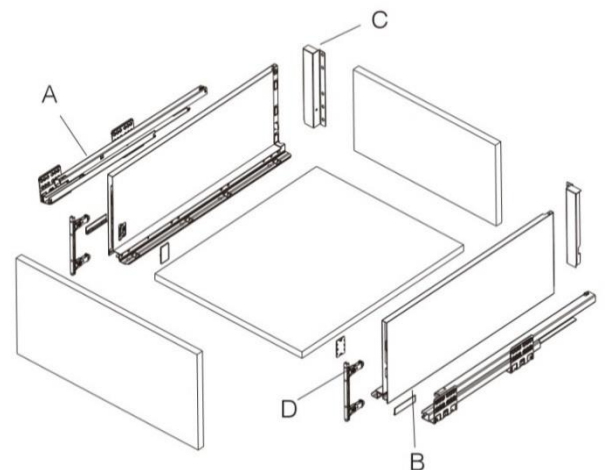


FEATURES

1. Slim wall 13mm
2. Full extension runners incorporating silent and gradual closing
3. Colour – White
4. 167mm High panel
5. +/- 2mm up & down adjustment
6. +/- 1.5mm left & right adjustment
7. Integrated 3D front panel adjustment
8. **40Kg** dynamic loading capacity and 100,000 cycles tested.
9. Sizes available 400 - 500mm

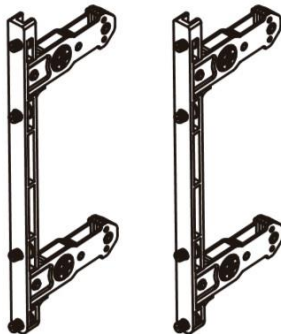
BASIC COMPONENTS OF 12.H1303C

| NO. | PKG CONTENTS |
|-----|------------------------------------|
| A | Left / Right drawer runners |
| B | Left / Right drawer sides |
| C | Left / Right rear brackets |
| D | Left / Right front fixing brackets |
| - | Installation Instructions |



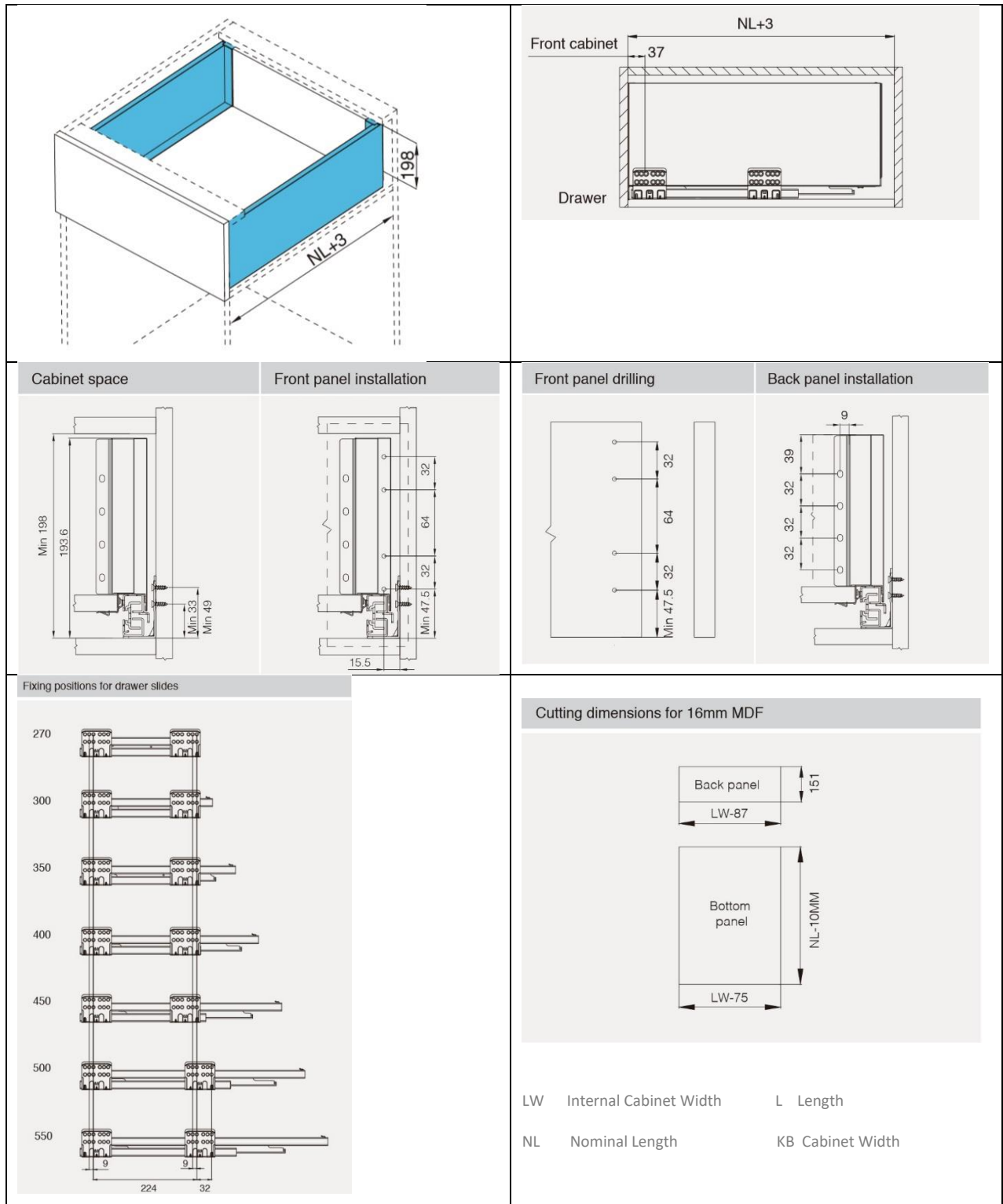
DETAILED VIEW ITEM D

Front fixing bracket with 10x9.8mm Dowels L/R



| CODE | DESCRIPTION | PKG |
|---------------|---|-------|
| 12.H1303C.400 | SlimPRO Soft Close Drawer System 167H x 400mm – White | 1 Set |
| 12.H1303C.450 | SlimPRO Soft Close Drawer System 167H x 450mm – White | 1 Set |
| 12.H1303C.500 | SlimPRO Soft Close Drawer System 167H x 500mm – White | 1 Set |

12.H1303C SlimPRO Drawer System Installation Dimensions



CEMUX – SlimPRO FROSTED GLASS: 167mm High Soft Close Slimline Drawer System

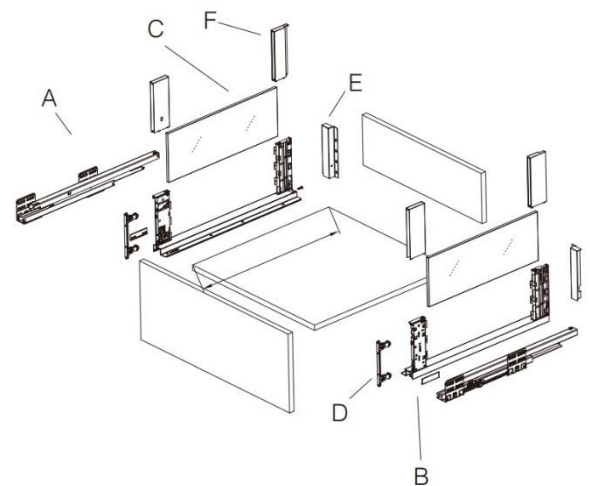


FEATURES

1. Slim wall 13mm
2. Full extension runners incorporating silent and gradual closing
3. Colour – White
4. 167mm High panel - GLASS
5. +/- 2mm up & down adjustment
6. +/- 1.5mm left & right adjustment
7. Integrated 3D front panel adjustment
8. **40Kg** dynamic loading capacity and 100,000 cycles tested.
9. Size available 500mm only

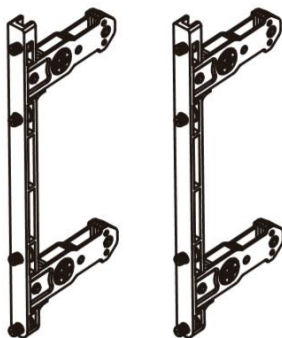
BASIC COMPONENTS OF 12.H1313C

| NO. | PKG CONTENTS |
|-----|------------------------------------|
| A | Left / Right drawer runners |
| B | Left / Right drawer sides |
| C | Left / Right Frosted Glass |
| D | Left / Right front fixing brackets |
| E | Left / Right Rear Brackets |
| F | Left / Right Glass Fasteners |



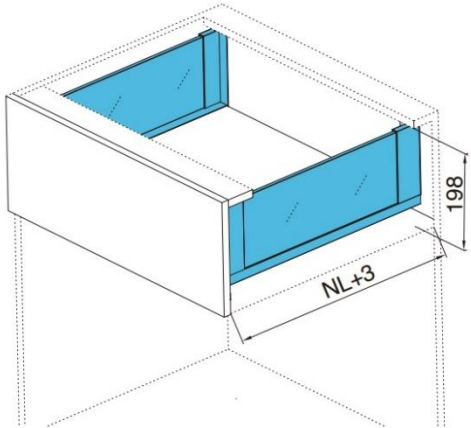
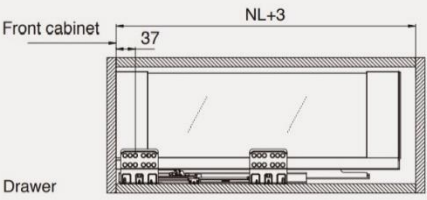
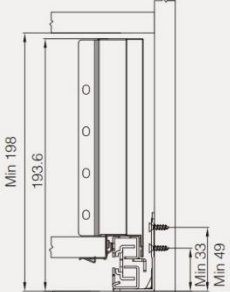
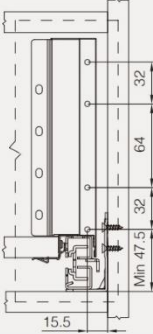
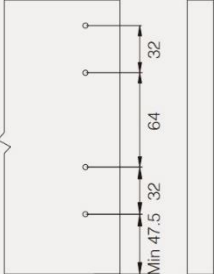
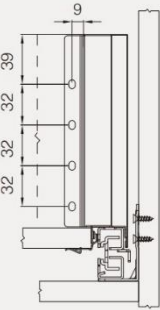
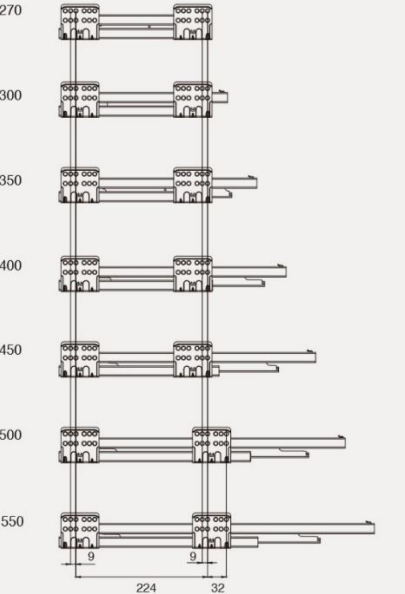
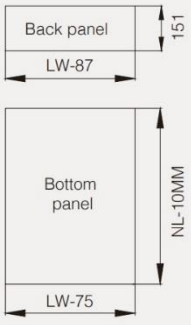
DETAILED VIEW ITEM D

Front fixing bracket with 10x9.8mm Dowels L/R

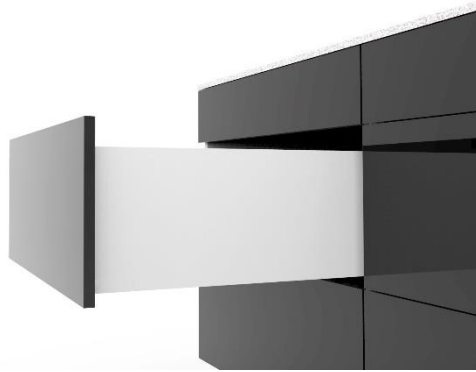


| CODE | DESCRIPTION | PKG |
|---------------|---|-------|
| 12.H1313C.500 | SlimPRO Soft Close Drawer System 167H x 500mm – White – Frosted GLASS | 1 Set |

12.H1313C SlimPRO – 167mm Frosted GLASS Drawer System Installation Dimensions

| | | | |
|--|---|---|--|
|  | |  | |
| <p>Cabinet space</p>  | <p>Front panel installation</p>  | <p>Front panel drilling</p>  | <p>Back panel installation</p>  |
| <p>Fixing positions for drawer slides</p>  | | <p>Cutting dimensions for 16mm MDF</p>  <p>LW Internal Cabinet Width L Length NL Nominal Length KB Cabinet Width</p> | |

CEMUX – SlimPRO: 199mm High Soft Close Slimline Drawer System

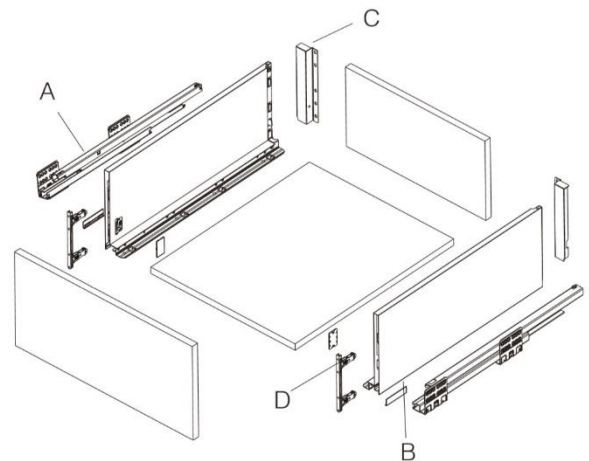


FEATURES

1. Slim wall 13mm
2. Full extension runners incorporating silent and gradual closing
3. Colour – White
4. 199mm High panel
5. +/- 2mm up & down adjustment
6. +/- 1.5mm left & right adjustment
7. Integrated 3D front panel adjustment
8. **40Kg** dynamic loading capacity and 100,000 cycles tested.
9. Sizes available 270 - 550mm

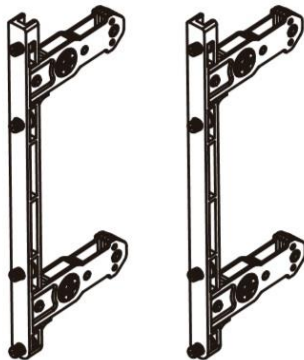
BASIC COMPONENTS OF 12.H1304D

| NO. | PKG CONTENTS |
|-----|------------------------------------|
| A | Left / Right drawer runners |
| B | Left / Right drawer sides |
| C | Left / Right rear brackets |
| D | Left / Right front fixing brackets |
| - | Installation Instructions |



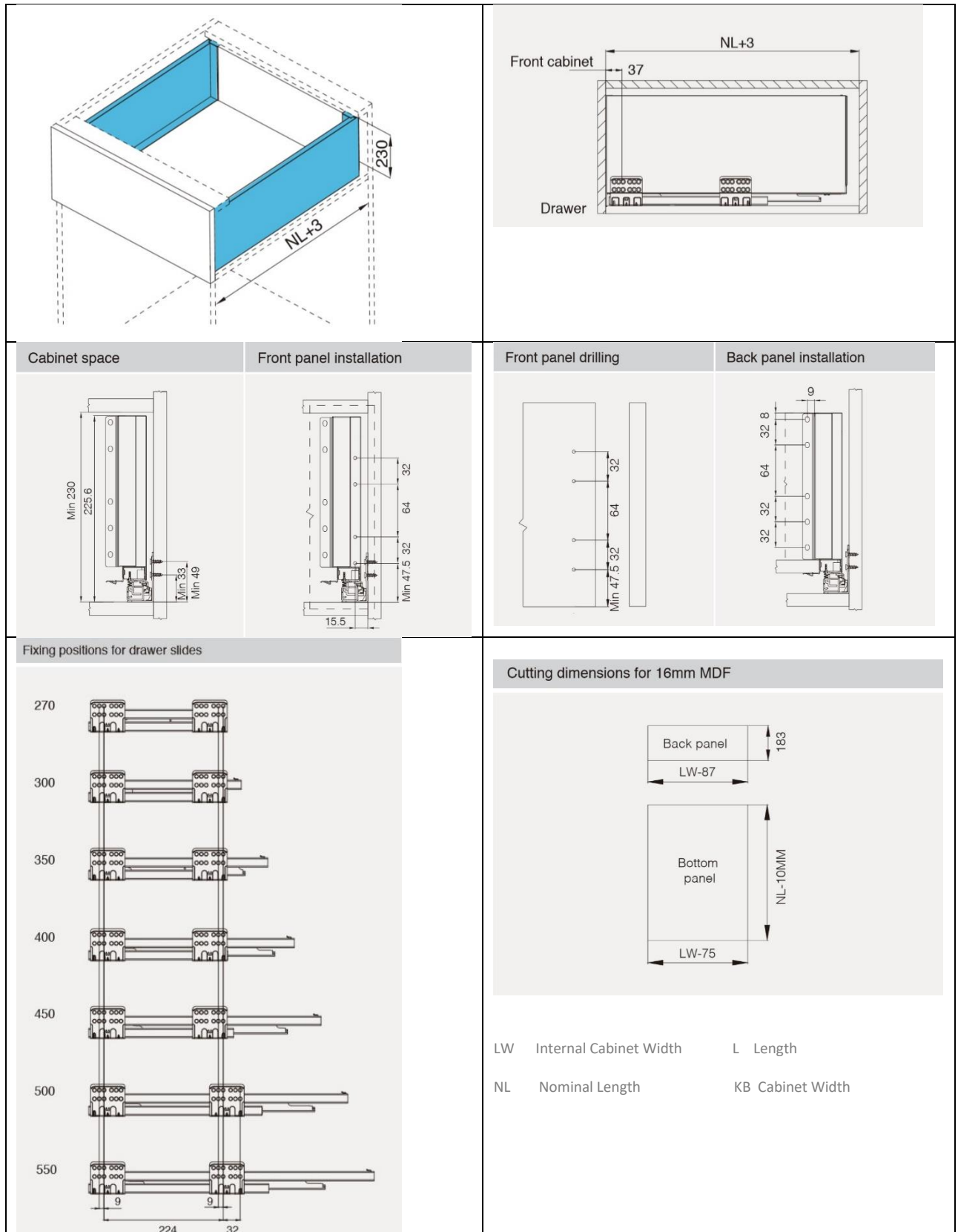
DETAILED VIEW ITEM D

Front fixing bracket with 10x9.8mm Dowels L/R



| CODE | DESCRIPTION | PKG |
|---------------|---|-------|
| 12.H1304D.270 | SlimPRO Soft Close Drawer System 199H x 270mm – White | 1 Set |
| 12.H1304D.300 | SlimPRO Soft Close Drawer System 199H x 300mm – White | 1 Set |
| 12.H1304D.350 | SlimPRO Soft Close Drawer System 199H x 350mm – White | 1 Set |
| 12.H1304D.400 | SlimPRO Soft Close Drawer System 199H x 400mm – White | 1 Set |
| 12.H1304D.450 | SlimPRO Soft Close Drawer System 199H x 450mm – White | 1 Set |
| 12.H1304D.500 | SlimPRO Soft Close Drawer System 199H x 500mm – White | 1 Set |
| 12.H1304D.550 | SlimPRO Soft Close Drawer System 199H x 550mm – White | 1 Set |

12.H1304D SlimPRO: 199mm High Drawer System Installation Dimensions



CEMUX – SlimPRO FROSTED GLASS: 199mm High Soft Close Slimline Drawer System

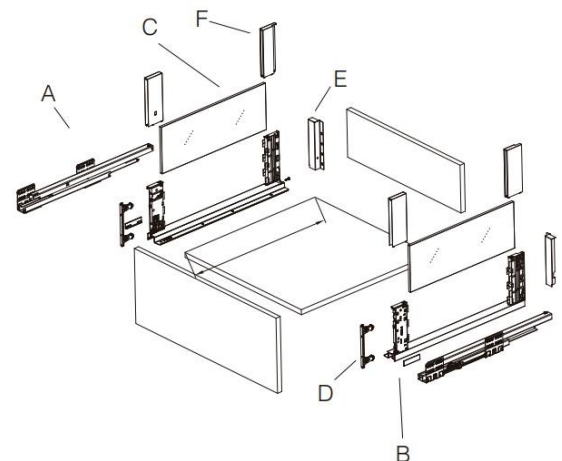


FEATURES

1. Slim wall 13mm
2. Full extension runners incorporating silent and gradual closing
3. Colour – White
4. 199mm High panel - GLASS
5. +/- 2mm up & down adjustment
6. +/- 1.5mm left & right adjustment
7. Integrated 3D front panel adjustment
8. **40Kg** dynamic loading capacity and 100,000 cycles tested.
9. Size available 500mm only

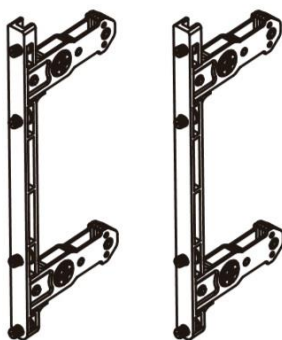
BASIC COMPONENTS OF 12.H1314D

| NO. | PKG CONTENTS |
|-----|------------------------------------|
| A | Left / Right drawer runners |
| B | Left / Right drawer sides |
| C | Left / Right Frosted Glass |
| D | Left / Right front fixing brackets |
| E | Left / Right Rear Brackets |
| F | Left / Right Glass Fasteners |



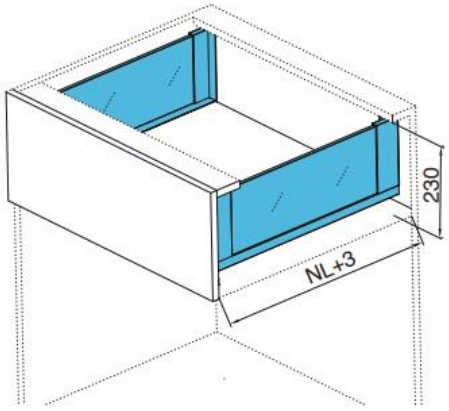
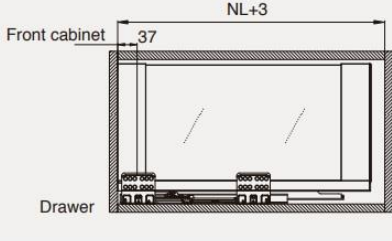
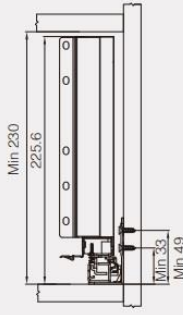
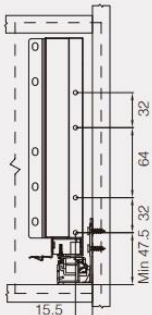
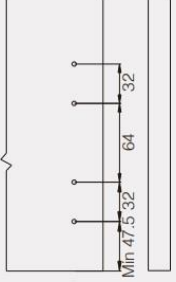
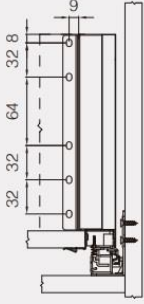
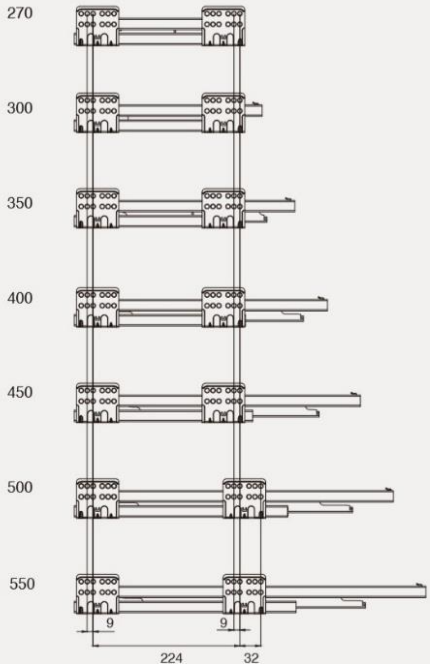
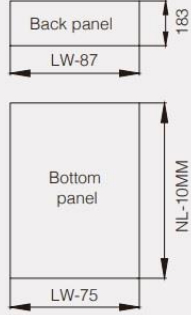
DETAILED VIEW ITEM D

Front fixing bracket with 10x9.8mm Dowels L/R



| CODE | DESCRIPTION | PKG |
|---------------|---|-------|
| 12.H1314D.500 | SlimPRO Soft Close Drawer System 199H x 500mm – White – Frosted GLASS | 1 Set |

12.H1314D SlimPRO – Frosted GLASS Drawer System Installation Dimensions

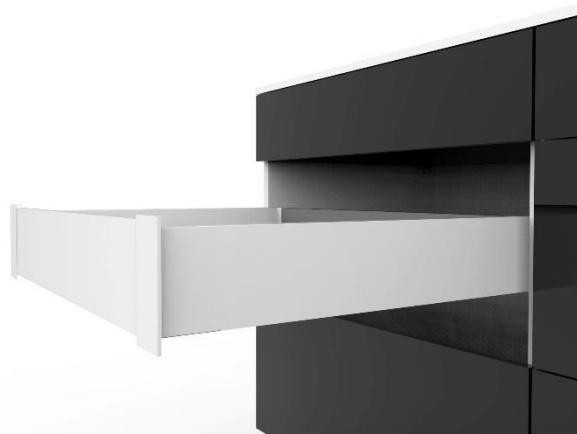
| | | | |
|--|---|---|--|
|  | |  | |
| <p>Cabinet space</p>  | <p>Front panel installation</p>  | <p>Front panel drilling</p>  | <p>Back panel installation</p>  |
| <p>Fixing positions for drawer slides</p>  | | <p>Cutting dimensions for 16mm MDF</p>  <p>LW Internal Cabinet Width L Length NL Nominal Length KB Cabinet Width</p> | |

CEMUX – SlimPRO INNER: 84mm High Slimline Soft Close Drawer System



FEATURES

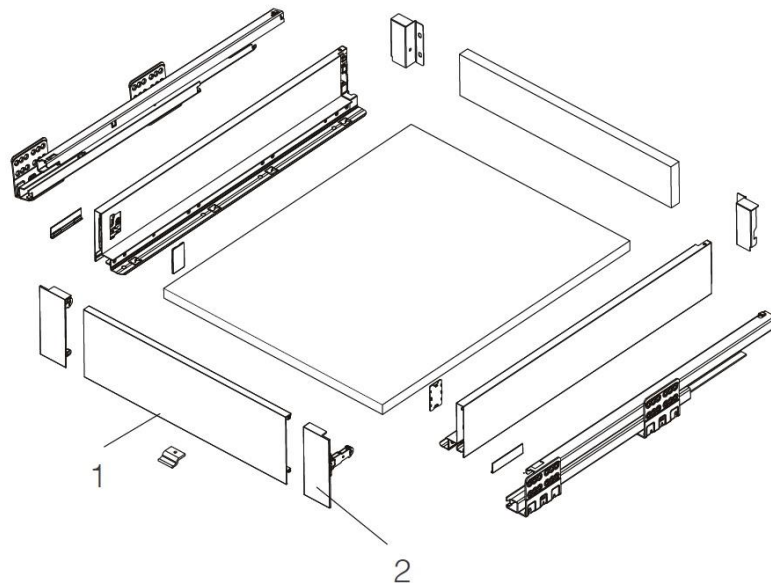
1. Perfect sliding qualities with precision full extension runners incorporating silent & gradual closing
2. Colour – White
3. 84mm High panel
4. Size available 400mm-500mm
5. Quick installation and easy dismantling
6. +/- 2mm up & down adjustment
7. +/- 1.5mm left & right adjustment
8. Integrated 3D front panel adjustment
9. **40Kg** dynamic loading capacity and 100,000 cycles tested.



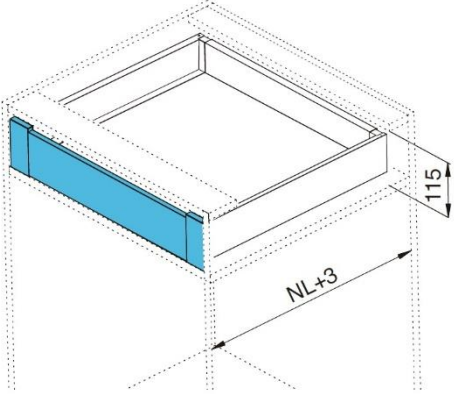
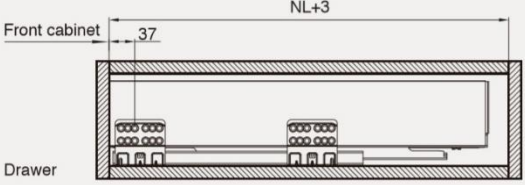
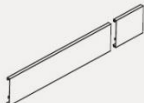
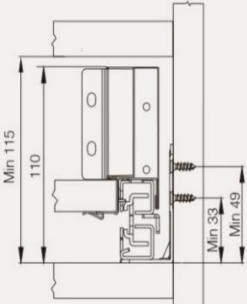
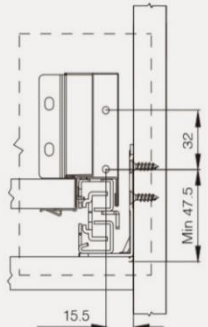
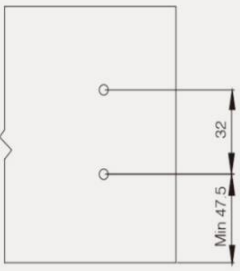
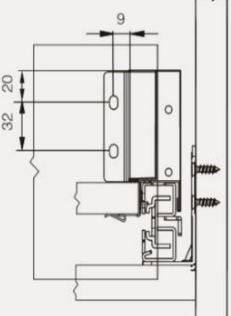
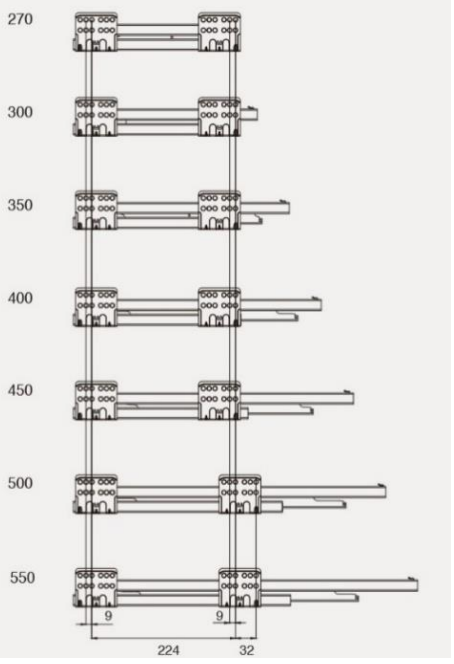
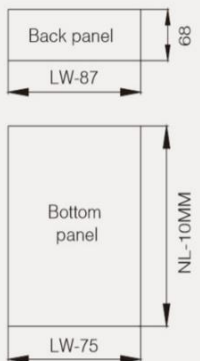
Order 84mm High drawer (12.H1301A) as per page 1-24 and below two items separately for Inner drawer

| CODE | DESCRIPTION | PKG |
|--------------|---|--------|
| 12.H1321200W | Front Section 1200mm for Inner Drawer WHITE (ref item 1 below) | Each |
| 12.H130200W | Front Bracket for Inner Drawer to suit 84mm drawer (ref item 2 below) | 1 Pair |

INNER DRAWER 84mm High



12.H1301A SlimPRO - 84mm Inner Drawer System - Installation Dimensions

| | | | |
|---|--|---|---|
|  | |  | |
| <p>Cutting dimensions for front panel</p>  <p>Front panel length = LW-100</p> | | | |
| <p>Cabinet space</p>  | <p>Front panel installation</p>  | <p>Front panel drilling</p>  | <p>Back panel installation</p>  |
| <p>Fixing positions for drawer slides</p>  | | <p>Cutting dimensions for 16mm MDF</p>  <p>LW Internal Cabinet Width L Length NL Nominal Length KB Cabinet Width</p> | |

CEMUX – SlimPRO INNER: 167mm High Slimline Soft Close Drawer System



FEATURES

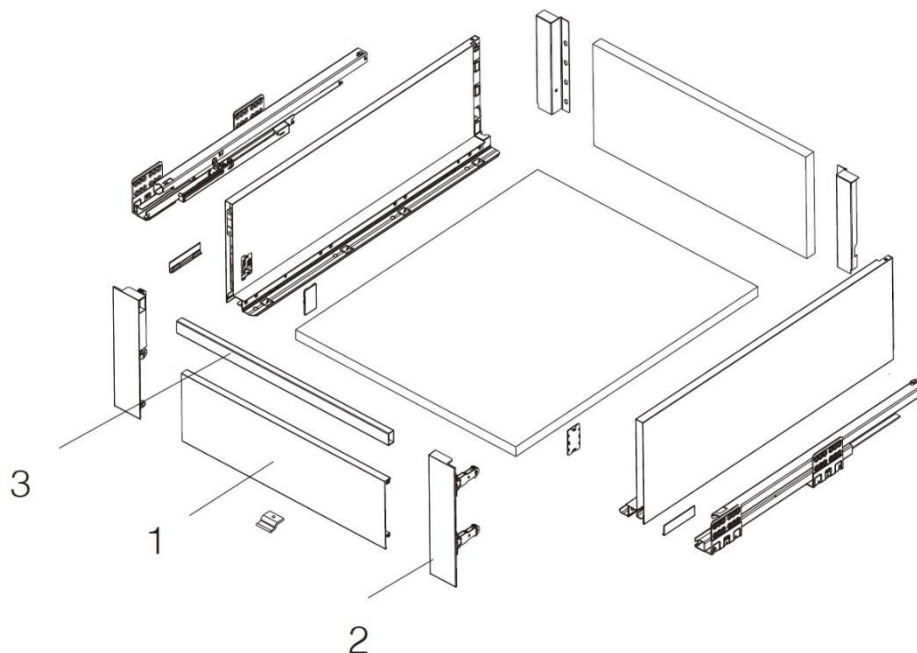
1. Perfect sliding qualities with precision full extension runners incorporating silent & gradual closing
2. Colour – White
3. 167mm High panel
4. Size available 400mm-500mm
5. Quick installation and easy dismantling
6. +/- 2mm up & down adjustment
7. +/- 1.5mm left & right adjustment
8. Integrated 3D front panel adjustment
9. **40Kg** dynamic loading capacity and 100,000 cycles tested.



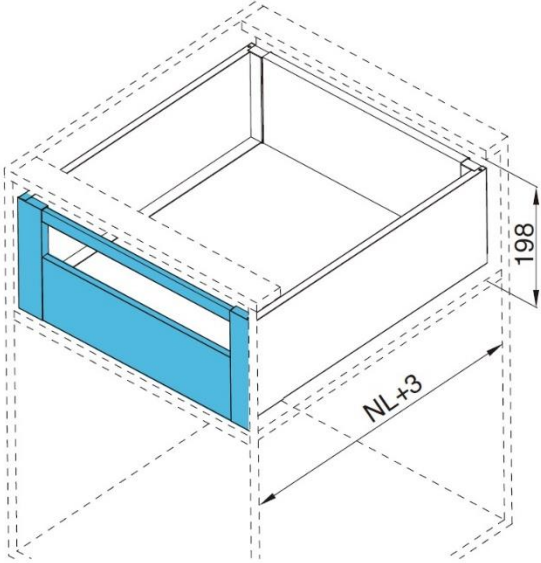
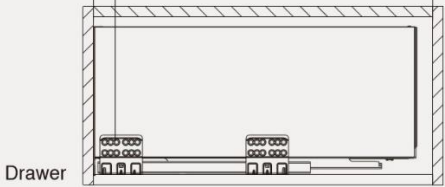
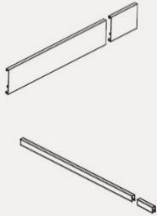
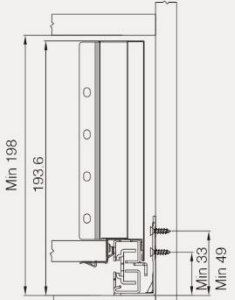
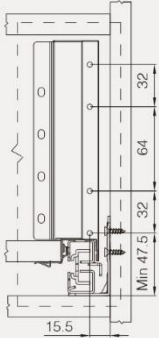
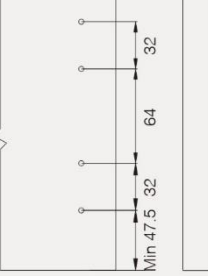
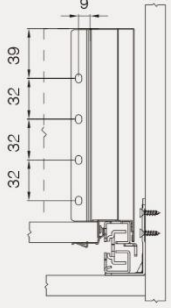
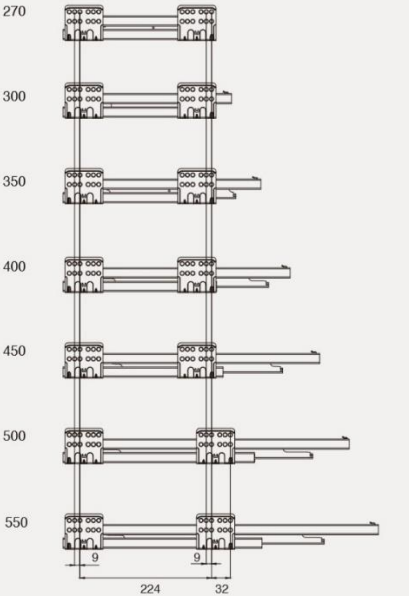
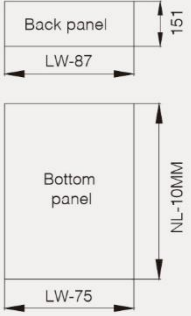
Order 167mm High drawer 12.H1303C. as per page 1-28 and below two items separately for Inner drawer

| CODE | DESCRIPTION | PKG |
|--------------|--|--------|
| 12.H1321200W | Front Panel / Section 1200mm for Inner Drawer WHITE (ref item 1 below) | Each |
| 12.H130500W | Front Bracket for Inner Drawer to suit 167mm drawer (ref item 2 below) | 1 Pair |
| 11.HF321200W | Front Square Rail 1200mm for Inner Drawer WHITE (ref item 3 below) | Each |

**SlimPRO INNER
DRAWER
167mm High**



12.H1303C SlimPRO - 167mm Inner Drawer System Installation Dimensions

| | | | |
|---|---|--|--|
|  | | <p>Front cabinet NL+3</p> <p style="margin-left: 10px;">37</p>  <p>Drawer</p> <hr/> <p>Cutting dimensions for front panel</p>  <p>Front panel length = LW-100</p> <p>Front rail length = LW-88</p> | |
| <p>Cabinet space</p>  | <p>Front panel installation</p>  | <p>Front panel drilling</p>  | <p>Back panel installation</p>  |
| <p>Fixing positions for drawer slides</p>  | | <p>Cutting dimensions for 16mm MDF</p>  <p>Back panel 151</p> <p style="margin-left: 10px;">LW-87</p> <p>Bottom panel NL-10MM</p> <p style="margin-left: 10px;">LW-75</p> <p>LW Internal Cabinet Width L Length</p> <p>NL Nominal Length KB Cabinet Width</p> | |

CEMUX – SlimPRO INNER: 199mm High Slimline Soft Close Drawer System



FEATURES

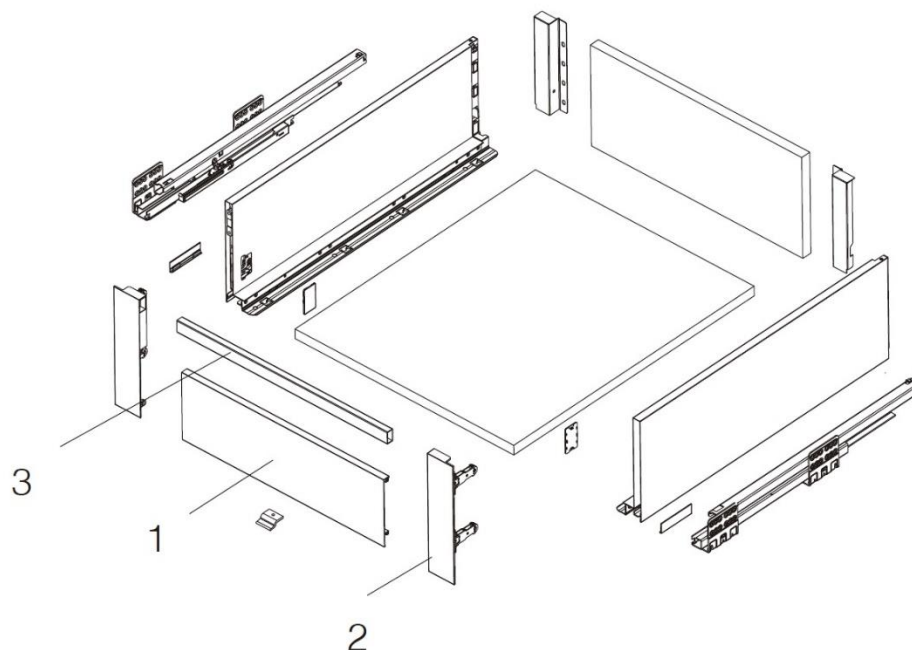
1. Perfect sliding qualities with precision full extension runners incorporating silent & gradual closing
2. Colour – White
3. 199mm High panel
4. Sizes available 270mm-550mm
5. Quick installation and easy dismantling
6. +/- 2mm up & down adjustment
7. +/- 1.5mm left & right adjustment
8. Integrated 3D front panel adjustment
9. **40Kg** dynamic loading capacity and 100,000 cycles tested.



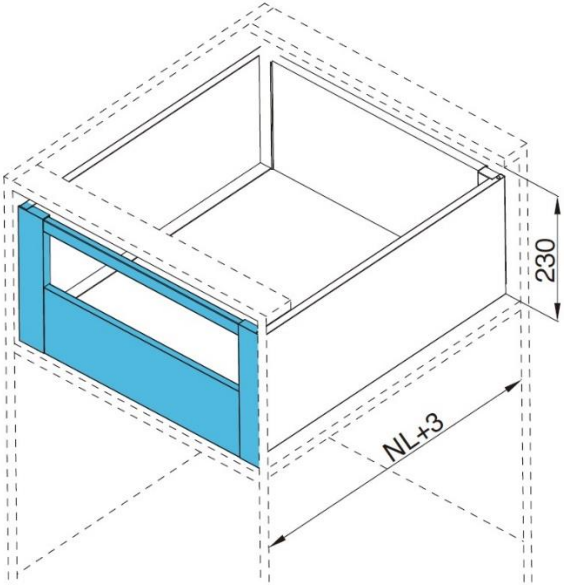
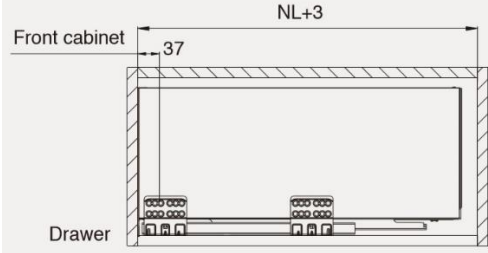
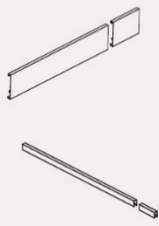
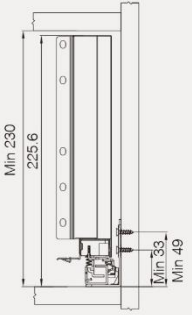
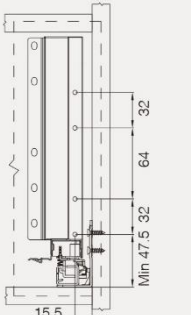
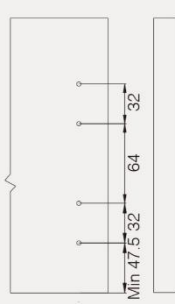
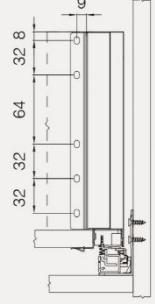
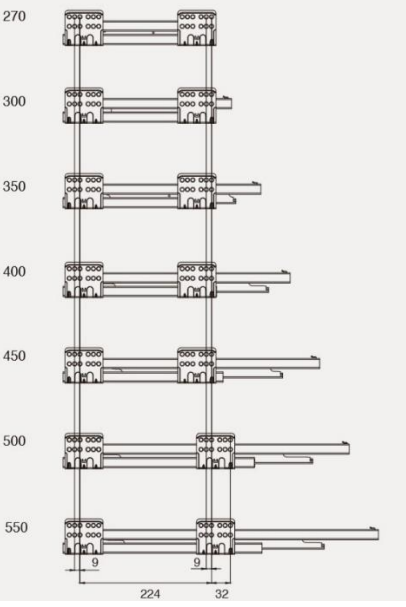
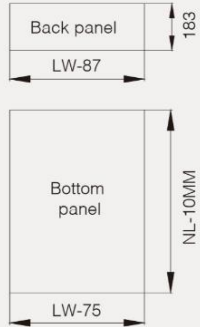
Order 199mm High drawer 12.H1304D as per page 1-32 and below two items separately for Inner drawer

| CODE | DESCRIPTION | PKG |
|--------------|--|--------|
| 12.H1321200W | Front Panel / Section 1200mm for Inner Drawer WHITE (ref item 1 below) | Each |
| 12.H130800W | Front Bracket for Inner Drawer to suit 199mm drawer (ref item 2 below) | 1 Pair |
| 11.HF321200W | Front Square Rail 1200mm for Inner Drawer WHITE (ref item 3 below) | Each |

**SlimPRO INNER
DRAWER
199mm High**

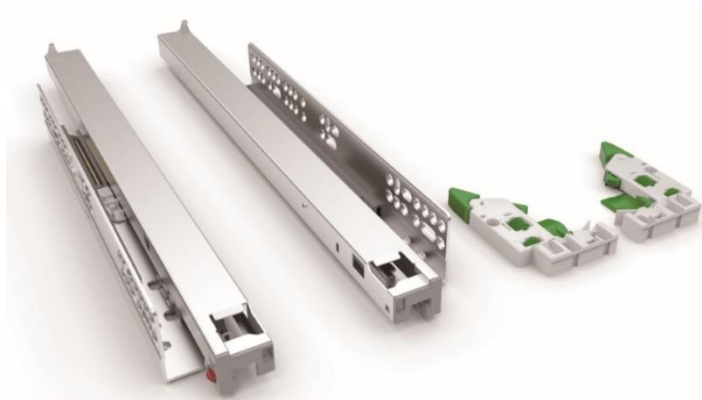


12.H1304D SlimPRO - 199mm Inner Drawer System Installation Dimensions

| | | | |
|--|--|--|---|
|  | |  | |
| | | <p>Cutting dimensions for front panel</p>  <p>Front panel length = LW-100 Front rail length = LW-88</p> | |
| <p>Cabinet space</p>  | <p>Front panel installation</p>  | <p>Front panel drilling</p>  | <p>Back panel installation</p>  |
| <p>Fixing positions for drawer slides</p>  | | <p>Cutting dimensions for 16mm MDF</p>  <p>LW Internal Cabinet Width L Length NL Nominal Length KB Cabinet Width</p> | |

CEMUX Undermount Drawer Systems >>

CEMUX Undermount Drawer Slide



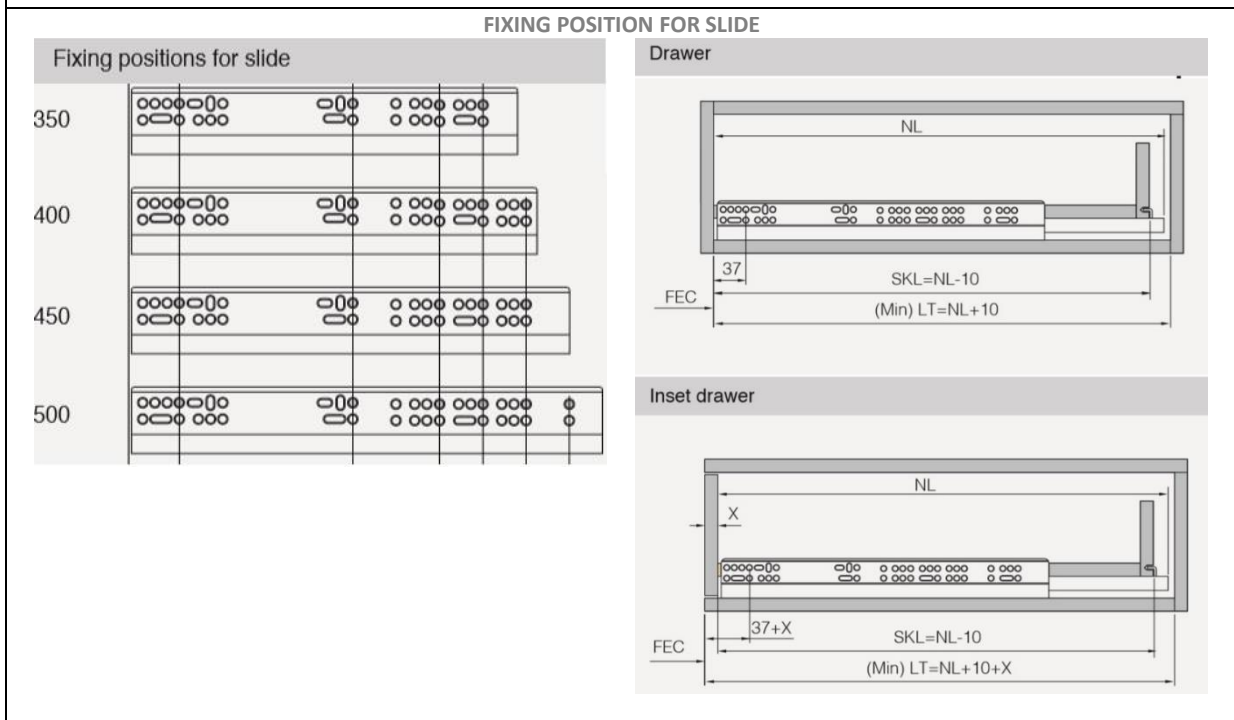
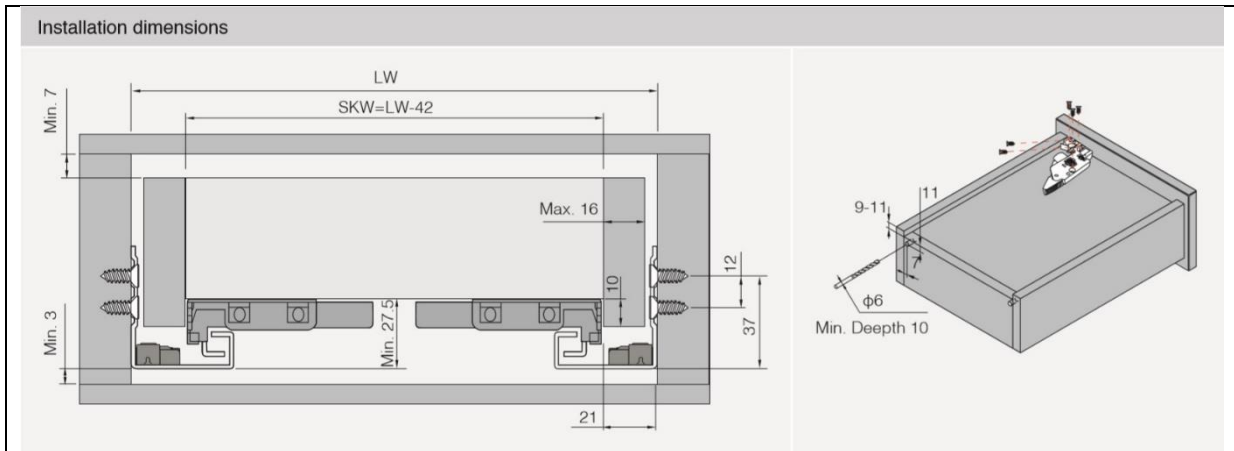
FEATURES

1. Full Extension Soft Closing Undermount Slides
2. Galvanised Sheet
3. Loading capacity 25 KGS
4. 1mm - 3mm height adjustment
5. 1mm - 5mm left & right adjustment
6. 1mm - 5mm depth adjustment
7. Sizes available 300mm - 500mm

| NO. | PKG CONTENTS |
|-----|-----------------------------|
| A | Left / Right drawer runners |
| B | 3D Locking Brackets |
| - | Installation Instructions |

| CODE | DESCRIPTION | PKG |
|------------|--------------------------------------|-------|
| 18.728.300 | CEMUX Undermount Drawer Runner 300mm | 1 Set |
| 18.728.350 | CEMUX Undermount Drawer Runner 350mm | 1 Set |
| 18.728.400 | CEMUX Undermount Drawer Runner 400mm | 1 Set |
| 18.728.450 | CEMUX Undermount Drawer Runner 450mm | 1 Set |
| 18.728.500 | CEMUX Undermount Drawer Runner 500mm | 1 Set |

18.728 CEMUX Undermount Drawer System Installation Dimensions



| Drawer Standards | | | | |
|------------------|-----|-----|-----|-----|
| NL | 350 | 400 | 450 | 500 |
| SKL | 340 | 390 | 440 | 490 |

| | | | | | | | |
|----|------------------------|----|---------------|-----|----------------------------|-----|-----------------------|
| LW | Internal cabinet width | L | Length | SKL | Length of drawer | X | Thickness of door |
| NL | Nominal length | KB | Cabinet width | LT | Minimum installation depth | FEC | Front edge of cabinet |

FGV Soft Close Ball Bearing Drawer Slides >>

FGV Soft Close Ball Bearing Drawer Slides – Side Mount



FEATURES

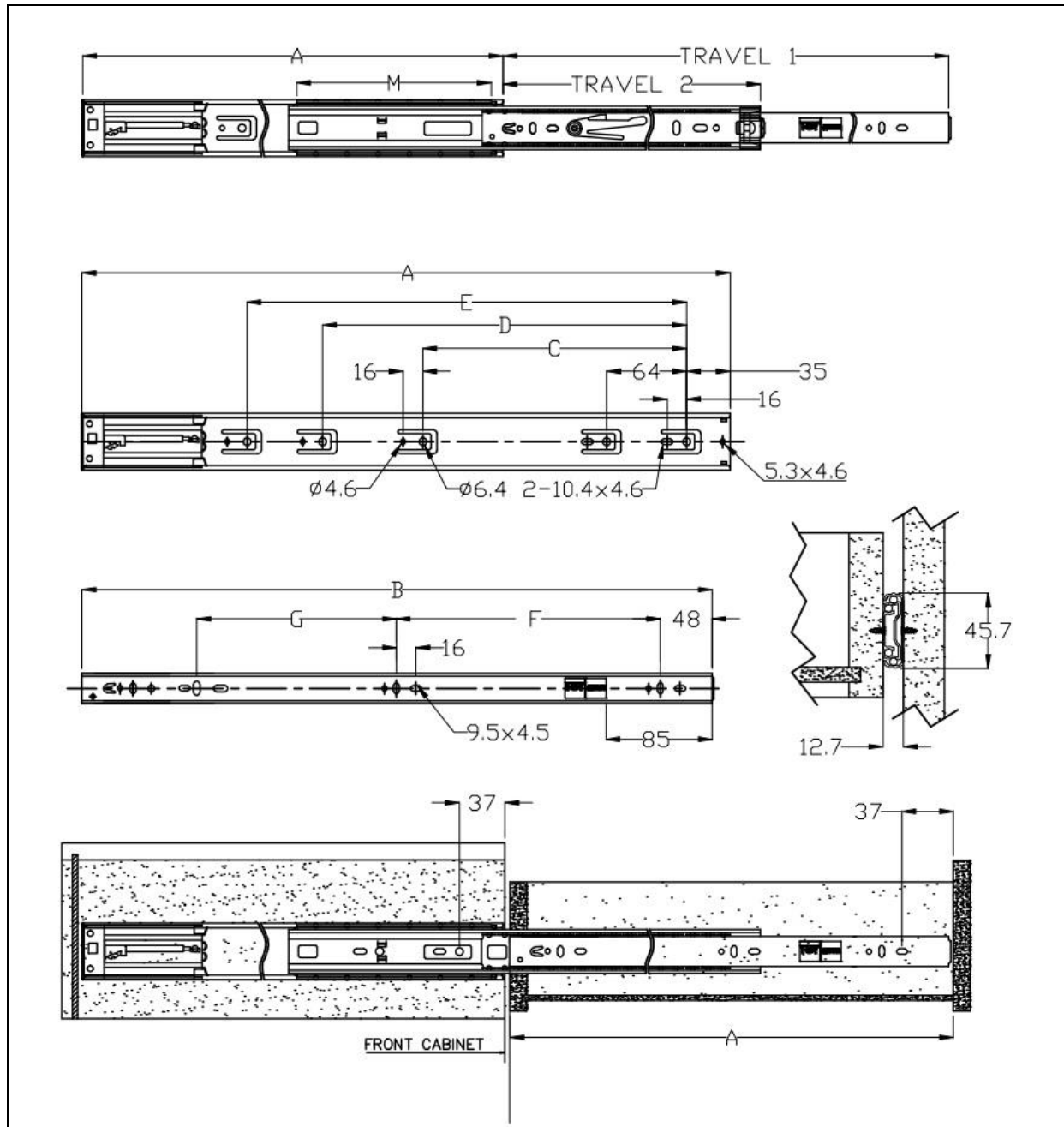
1. Full Extension Soft Closing
2. Galvanised Sheet
3. Loading capacity 45 KGS
4. Sizes available 350mm - 500mm



| NO. | PKG CONTENTS |
|-----|-----------------------------|
| A | Left / Right drawer runners |

| CODE | DESCRIPTION | PKG |
|------------|---|-------|
| 16.507.350 | FGV Side Mount - Soft Close Ball Bearing Slide H45- 350mm | 1 Set |
| 16.507.400 | FGV Side Mount - Soft Close Ball Bearing Slide H45- 400mm | 1 Set |
| 16.507.450 | FGV Side Mount - Soft Close Ball Bearing Slide H45- 450mm | 1 Set |
| 16.507.500 | FGV Side Mount - Soft Close Ball Bearing Slide H45- 500mm | 1 Set |

16.507 FGV Soft Close Ball Bearing Slides Installation Dimensions



| A | TRAVEL 1 | TRAVEL 2 | B | C | D | E | F | G | H | L | M |
|-----|----------|----------|-----|-----|-----|---|-----|-----|---|---|-----|
| 350 | 325 | 119 | 331 | 192 | — | — | 128 | 113 | — | — | 106 |
| 400 | 400 | 134 | 381 | 224 | — | — | 160 | 128 | — | — | 141 |
| 450 | 450 | 163 | 431 | 224 | 288 | — | 160 | 160 | — | — | 162 |
| 500 | 500 | 200 | 481 | 224 | 320 | — | 192 | 192 | — | — | 176 |

2. HINGES

HINGES2-1

FGV ASIA – INTEGRA HINGE 105° >>.....2-2

FGV 105° Soft Close Integra Hinge..... 2-2

FGV 155° & 165° Soft Close Integra Hinge for Corner Doors 2-6

FGV Integra 90° Soft Close Hinge for Blind Corner Doors2-8

FGV Integra Bi-fold Corner Door Hinges 2-8

FGV Mounting Plates for Integra Hinges 2-9



High stability and constant performances also under adverse closing conditions. An accurate depth adjustment to new spiral screw.



FGV ASIA - INTEGRA 105° SOFT CLOSE HINGE – SlowMotion Inside

The Integra hinge is the latest solution for dampening doors. A SlowMotion linear damper hidden in the hinge arm offers effective and constant performances under all conditions. A rapid installation and 3D adjustments allow to easily find the door's correct position.

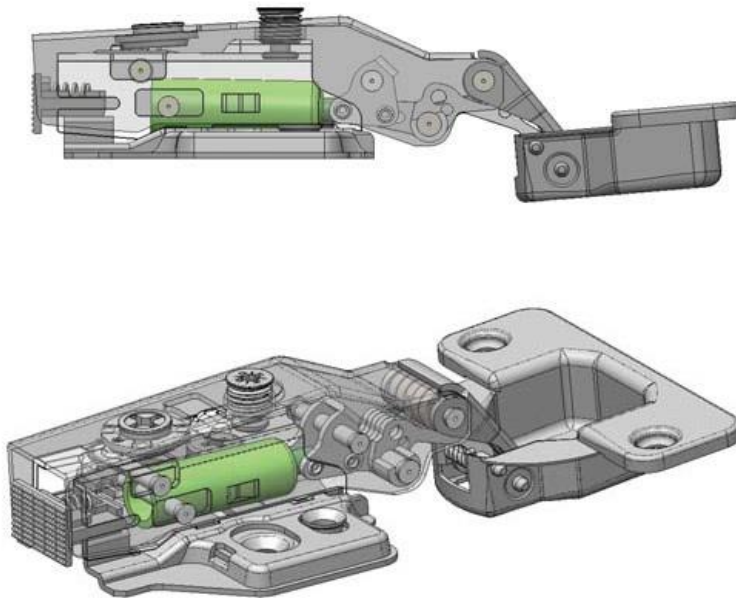
A hinge with a heart, a damper integrated into the arm, driving a controlled and silent movement. An advanced technology able to support strong and long-lasting applications.

FGV ASIA - INTEGRA 105° SOFT CLOSE HINGE – SlowMotion Inside

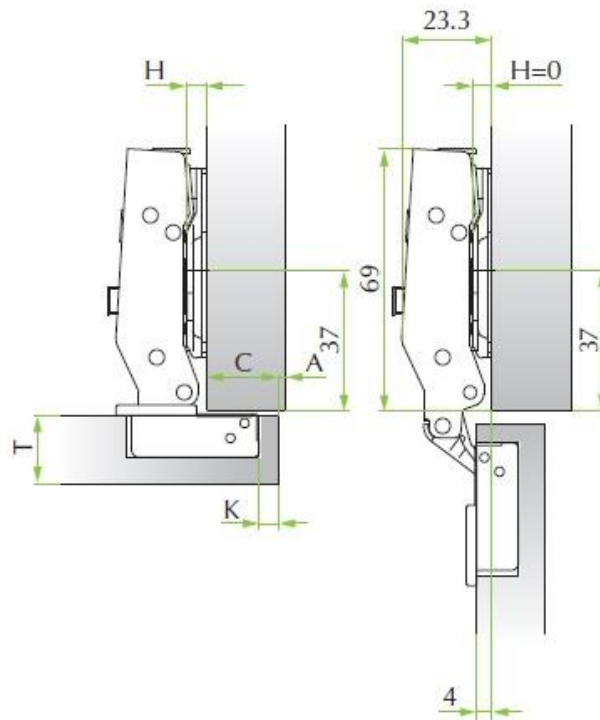


Technical specifications:

- Depth of the metal cup 11.3mm
- Cup diameter 35mm
- Opening 105° with (K) max 4mm and (T) max 18mm
- Possibility of door drilling (K) from 3 to 7 mm
- Thickness of the door (T) from 16 to 26 mm
- SlowMotion solution with linear damper

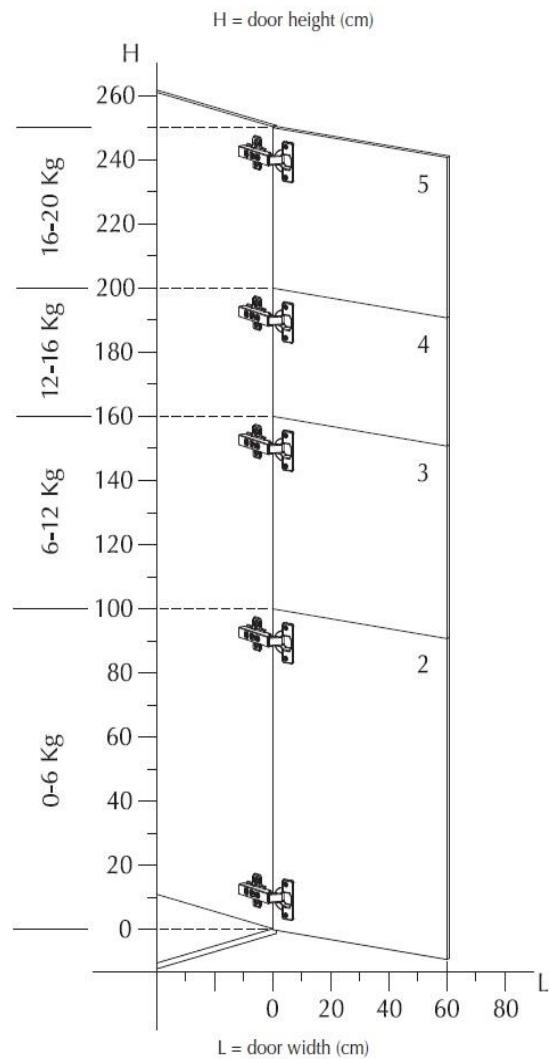


CRANK 0
For lay-on doors



Integra Soft Close Hinge with Crank 0 for lay on doors

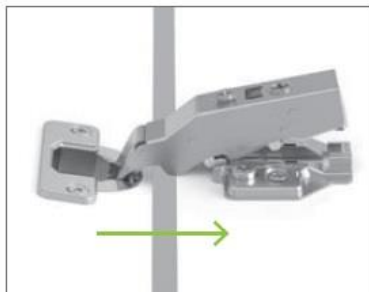
| CODE | DESCRIPTION | DRILLING | CUP DIA | CUP DEPTH |
|-------------|--|----------|---------|-----------|
| 7.51110.045 | 105° INTEGRA Soft Close Hinge, Crank 0, 45mm hole distance, Velofix with 8mm dowels | 45 | 35 | 11.3 |
| 7.52110.045 | 105° INTEGRA Soft Close Hinge, Crank 0, 45mm hole distance, with 8mm dowels | 45 | 35 | 11.3 |
| 7.51110.052 | 105° INTEGRA Soft Close Hinge, Crank 0, 52mm hole distance with 10mm dowels | 52 | 35 | 11.3 |



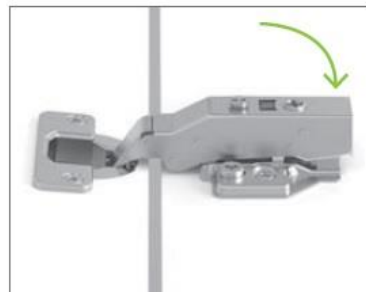


Possibility of door drilling (K) from 3 to 7 mm

Mounting System



1 Place the front part of the hinge on the front side of the mounting plate.

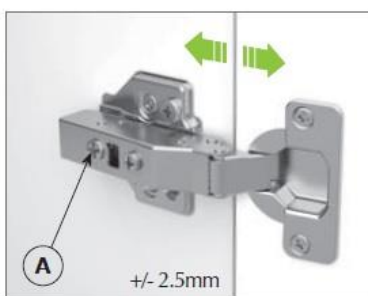


2 Rotate the arm of the hinge.

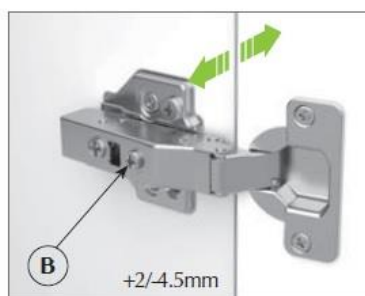


3 Press down the rear part of the hinge to Click on.

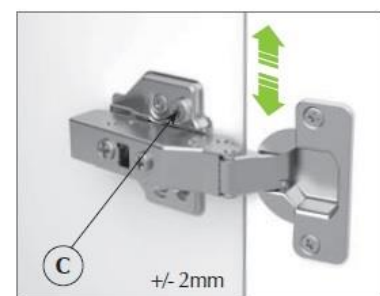
Adjusting System



Depth adjustment
Acting on the "A" screw it is possible to adjust the distance between the side of the cabinet and the door.



Independent side adjustment
Acting on the "B" screw it is possible to change the amount of the door covering on the side of the cabinet.



Vertical adjustment
Acting on the "C" screw of the mounting plate it is possible to adjust the door vertically.



FGV 155° & 165° Damped Hinge for Corner Doors



Technical specifications:

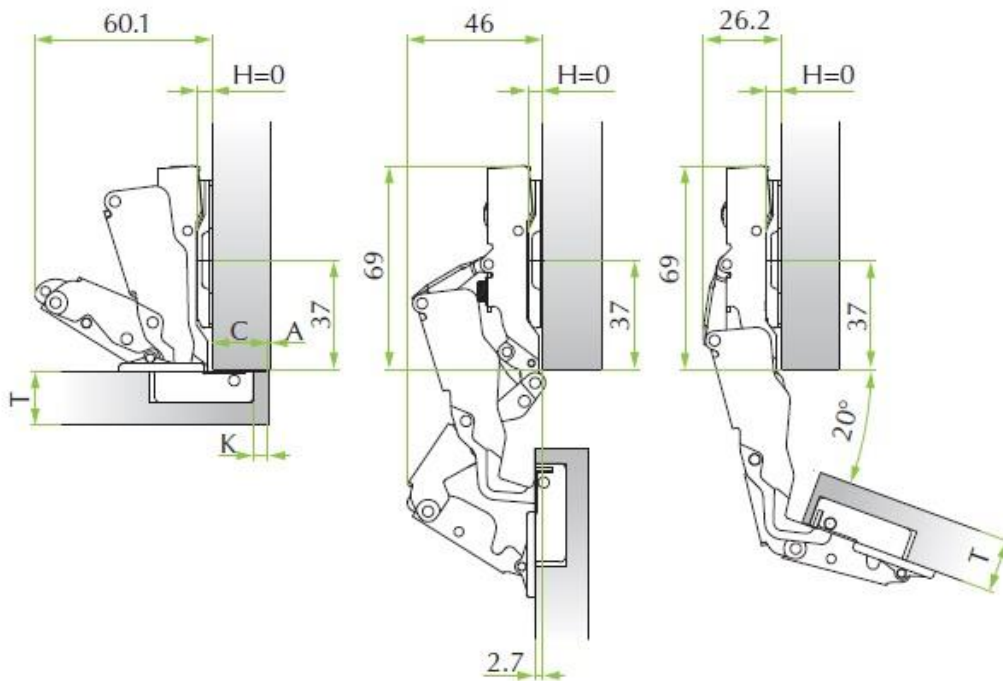
- Depth of the metal cup 11.3mm
- Cup diameter 35mm
- Opening 175°
- Possibility of door drilling (K) from 3 to 7 mm
- Thickness of the door (T) from 16 to 26 mm
- SlowMotion solution with linear damper



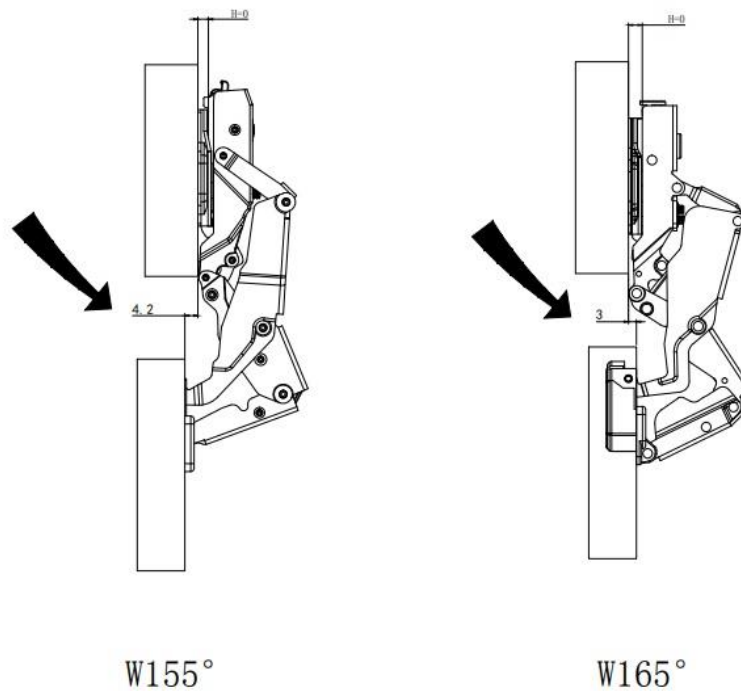
Crank 0 - 155° & 165° Soft Close Hinge

| CODE | DESCRIPTION | DRILLING | CUP DIA | CUP DEPTH |
|--------------|---|----------|---------|-----------|
| 7.51165.045 | 165° INTEGRA Soft Close Hinge 45mm distance between holes with 8mm dowel | 45 | 35 | 11.3 |
| 7.51165.052 | 165° INTEGRA Soft Close Hinge, 52mm distance between holes with 10mm dowel | 52 | 35 | 11.3 |
| 7.522045.155 | 155° INTEGRA Soft Close Hinge 45mm distance between holes with 8mm dowel | 45 | 35 | 11.3 |

CRANK 0
For lay-on doors



Difference between 155° & 165° Corner Hinge



FGV INTEGRA 90° Damped Hinge for Blind Corners


Technical specifications:

- Depth of the metal cup 11.3mm
- Cup diameter 35mm
- Opening 105°
- Possibility of door drilling (K) from 3 to 7 mm
- Thickness of the door (T) from 16 to 26 mm
- SlowMotion solution with linear damper

90° Blind Corner Soft Close Hinge

| CODE | DESCRIPTION | DRILLING | CUP DIA | CUP DEPTH |
|-------------|--|----------|---------|-----------|
| 7.85059.045 | 90° INTEGRA Blind Corner Soft Close Hinge 45mm distance between holes with 8mm dowel | 45 | 35 | 11.3 |

FGV INTEGRA 135° Bifold Corner Hinge


Technical specifications:

- Depth of the metal cup 11.5mm
- Cup diameter 35mm
- Opening 135° with K=5 and T max 18mm.
- Possibility of door drilling (K) from 3 to 7 mm
- Thickness of the door (T) from 14 to 22 mm

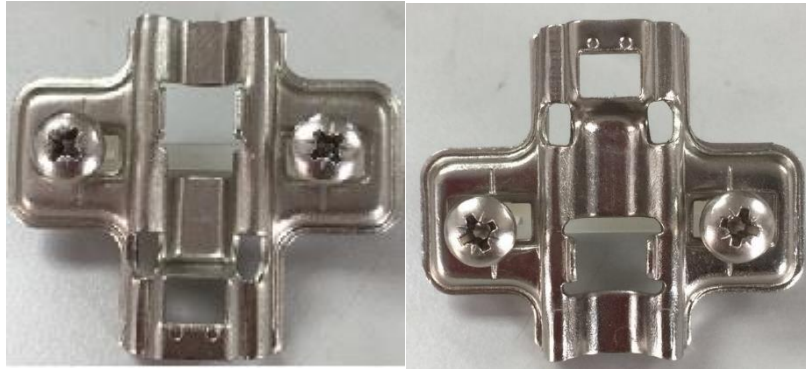
FGV INTEGRA Bifold Corner Hinge

| CODE | DESCRIPTION | DRILLING | CUP DIA | CUP DEPTH |
|-------------|---|----------|---------|-----------|
| 7.68305.045 | 90° INTEGRA BIFOLD Corner Hinge 45mm distance between holes with 8mm dowel | 45 | 35 | 11.3 |

FGV Mounting Plates for INTEGRA Hinge



H2 & H4 Mounting Plate



H2 & H4 Double Body CAM Adjustment Mounting Plate



Metal Cruciform Mounting Plate. Knock-in fixing dowels Ø5mm

| CODE | DESCRIPTION |
|-------------|--|
| 7.525.INTH2 | H2 Mounting Plate for Integra Hinge with knock-in fixing dowels |
| 7.525.INTH4 | H4 Mounting Plate for Integra Hinge with knock-in fixing dowels |
| 7.D52.H2CAM | Double body plate H2 with Cam Fixing with knock-in fixing dowels |
| 7.D52.H4CAM | Double body plate H4 with Cam Fixing with knock-in fixing dowels |

3. HANDLES & KNOBS

HANDLES & KNOBS.....3-1

Zinc Alloy Handles

Aluro 21.092.....3-2
 Arc 21.0053-2
 Block 23.061.....3-3
 Diva 23.064.....3-3
 Duro 20.482.....3-4
 Pyramid 20.591.....3-4
 Tessa 20.543.....3-5
 Sigo 23.047.....3-6
 Viva 21.308.....3-6

Steel / Aluminium Handles

Roman 22.0023-7
 T-Bar 22.0013-7

Stainless Steel Handles

Atrium 22.582.....3-7
 Court 20.113.....3-8
 Cubo-10 21.010.....3-9
 Cubo-12 21.212.....3-10
 Rondella 22.059.....3-9
 Lipul 20.0013-11
 Quad-10 22.4103-12
 Quad-12 22.4123-12
 Ronda 22.8123-13
 Steelo 22.002.....3-13
 Square T- Bar 20.124.....3-14

Zinc Alloy Knobs

Cylinder 21.160.....3-14
 Oval 23.6133-15
 Table 23.318.....3-15

Stainless Steel Knobs

Ugo-21.011.....3-15

Zinc Alloy Handles >>

Aluro 21.092

Material : Zinc Alloy



| CODE | DESCRIPTION | CTC | LENGTH | WIDTH | PROJ | FINISH |
|--------------|-------------|-----|--------|-------|------|----------------------|
| 21.092.1.096 | 96mm PC | 96 | 103 | 12 | 26 | Polished Chrome |
| 21.092.1.128 | 128mm PC | 128 | 136 | 14 | 31 | Polished Chrome |
| 21.092.1.160 | 160mm PC | 160 | 168 | 14 | 31 | Polished Chrome |
| 21.092.2.096 | 96mm SC | 96 | 103 | 12 | 26 | Satin Chrome |
| 21.092.2.128 | 128mm SC | 128 | 136 | 14 | 31 | Satin Chrome |
| 21.092.2.160 | 160mm SC | 160 | 168 | 14 | 31 | Satin Chrome |
| 21.092.3.096 | 96mm BSN | 96 | 103 | 12 | 26 | Brushed Satin Nickel |
| 21.092.3.128 | 128mm BSN | 128 | 136 | 14 | 31 | Brushed Satin Nickel |
| 21.092.3.160 | 160mm BSN | 160 | 168 | 14 | 31 | Brushed Satin Nickel |

Arc 21.005

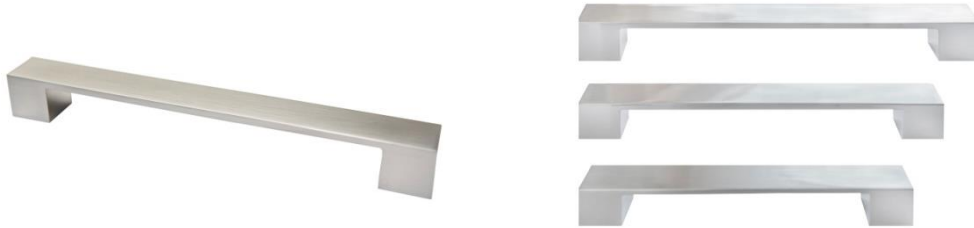
Material : Zinc Alloy



| CODE | DESCRIPTION | CTC | LENGTH | WIDTH | PROJ | FINISH |
|--------------|-------------|-----|--------|-------|------|----------------------|
| 21.005.1.096 | 96mm PC | 96 | 105 | 13 | 30 | Polished Chrome |
| 21.005.2.096 | 96mm SC | 96 | 105 | 13 | 30 | Satin Chrome |
| 21.005.3.096 | 96mm BSN | 96 | 105 | 13 | 30 | Brushed Satin Nickel |
| 21.005.3.128 | 128mm BSN | 128 | 145 | 16 | 30 | Brushed Satin Nickel |

Block 23.061

Material : Zinc Alloy



| CODE | DESCRIPTION | CTC | LENGTH | WIDTH | PROJ | FINISH |
|--------------|-------------|-----|--------|-------|------|----------------------|
| 23.061.3.128 | 128mm BSN | 128 | 159 | 20 | 25 | Brushed Satin Nickel |
| 23.061.3.160 | 160mm BSN | 160 | 175 | 24 | 25 | Brushed Satin Nickel |
| 23.061.3.192 | 192mm BSN | 192 | 228 | 24 | 25 | Brushed Satin Nickel |

Diva 23.064

Material : Zinc Alloy



| CODE | DESCRIPTION | CTC | LENGTH | WIDTH | PROJ | FINISH |
|--------------|-------------|-----|--------|-------|------|----------------------|
| 23.064.3.096 | 96mm BSN | 96 | 122 | 8 | 26 | Brushed Satin Nickel |
| 23.064.3.128 | 128mm BSN | 128 | 157 | 8 | 26 | Brushed Satin Nickel |
| 23.064.3.160 | 160mm BSN | 160 | 195 | 8 | 26 | Brushed Satin Nickel |
| 23.064.3.192 | 192mm BSN | 192 | 225 | 8 | 26 | Brushed Satin Nickel |
| 23.064.3.256 | 256mm BSN | 256 | 290 | 8 | 26 | Brushed Satin Nickel |
| 23.064.3.320 | 320mm BSN | 320 | 357 | 8 | 26 | Brushed Satin Nickel |
| 23.064.9.096 | 96mm BLACK | 96 | 122 | 8 | 26 | BLACK |
| 23.064.9.128 | 128mm BLACK | 128 | 157 | 8 | 26 | BLACK |
| 23.064.9.160 | 160mm BLACK | 160 | 195 | 8 | 26 | BLACK |
| 23.064.9.192 | 192mm BLACK | 192 | 225 | 8 | 26 | BLACK |
| 23.064.9.256 | 256mm BLACK | 256 | 290 | 8 | 26 | BLACK |
| 23.064.9.320 | 320mm BLACK | 320 | 357 | 8 | 26 | BLACK |

Duro 20.482

Material : Zinc Alloy



| CODE | DESCRIPTION | CTC | LENGTH | WIDTH | PROJ | FINISH |
|--------------|-------------|-----|--------|-------|------|----------------------|
| 20.482.3.096 | 96mm BSN | 96 | 104 | 12 | 28 | Brushed Satin Nickel |
| 20.482.3.128 | 128mm BSN | 128 | 136 | 12 | 28 | Brushed Satin Nickel |
| 20.482.3.160 | 160mm BSN | 160 | 168 | 12 | 28 | Brushed Satin Nickel |
| 20.482.3.224 | 224mm BSN | 224 | 232 | 12 | 28 | Brushed Satin Nickel |
| 20.482.3.288 | 288mm BSN | 288 | 296 | 12 | 28 | Brushed Satin Nickel |
| 20.482.3.320 | 320mm BSN | 320 | 328 | 12 | 28 | Brushed Satin Nickel |
| 20.482.3.448 | 448mm BSN | 448 | 456 | 12 | 28 | Brushed Satin Nickel |
| 20.482.1.096 | 96mm PC | 96 | 104 | 12 | 28 | Polished Chrome |
| 20.482.1.128 | 128mm PC | 128 | 136 | 12 | 28 | Polished Chrome |
| 20.482.1.160 | 160mm PC | 160 | 168 | 12 | 28 | Polished Chrome |
| 20.482.1.224 | 224mm PC | 224 | 232 | 12 | 28 | Polished Chrome |
| 20.482.1.288 | 288mm PC | 288 | 296 | 12 | 28 | Polished Chrome |
| 20.482.1.320 | 320mm PC | 320 | 328 | 12 | 28 | Polished Chrome |
| 20.482.1.448 | 448mm PC | 448 | 456 | 12 | 28 | Polished Chrome |
| 20.482.9.096 | 96mm BLACK | 96 | 104 | 12 | 28 | BLACK |
| 20.482.9.128 | 128mm BLACK | 128 | 136 | 12 | 28 | BLACK |
| 20.482.9.160 | 160mm BLACK | 160 | 168 | 12 | 28 | BLACK |
| 20.482.9.224 | 224mm BLACK | 224 | 232 | 12 | 28 | BLACK |
| 20.482.9.288 | 288mm BLACK | 288 | 296 | 12 | 28 | BLACK |
| 20.482.9.320 | 320mm BLACK | 320 | 328 | 12 | 28 | BLACK |
| 20.482.9.448 | 448mm BLACK | 448 | 456 | 12 | 28 | BLACK |

Pyramid 20.591

Material : Zinc Alloy



| CODE | DESCRIPTION | CTC | LENGTH | WIDTH | PROJ | FINISH |
|--------------|-------------|-----|--------|-------|------|----------------------|
| 20.591.3.096 | 96 mm BSN | 96 | 111 | 15 | 32 | Brushed Satin Nickel |
| 20.591.3.128 | 128mm BSN | 128 | 143 | 15 | 32 | Brushed Satin Nickel |

Tessa 20.543

Material : Zinc Alloy



| CODE | DESCRIPTION | CTC | LENGTH | WIDTH | PROJ | FINISH |
|--------------|-------------|-----|--------|-------|------|----------------------|
| 20.543.1.096 | 96mm PC | 96 | 103 | 12 | 26 | Polished Chrome |
| 20.543.1.128 | 128mm PC | 128 | 135 | 12 | 26 | Polished Chrome |
| 20.543.1.160 | 160mm PC | 160 | 167 | 12 | 26 | Polished Chrome |
| 20.543.1.240 | 240mm PC | 240 | 247 | 12 | 26 | Polished Chrome |
| 20.543.1.288 | 288mm PC | 288 | 295 | 12 | 26 | Polished Chrome |
| 20.543.2.096 | 96mm SC | 96 | 103 | 12 | 26 | Satin Chrome |
| 20.543.2.128 | 128mm SC | 128 | 135 | 12 | 26 | Satin Chrome |
| 20.543.2.160 | 160mm SC | 160 | 167 | 12 | 26 | Satin Chrome |
| 20.543.2.240 | 240mm SC | 240 | 247 | 12 | 26 | Satin Chrome |
| 20.543.2.288 | 288mm SC | 288 | 295 | 12 | 26 | Satin Chrome |
| 20.543.3.096 | 96mm BSN | 96 | 103 | 12 | 26 | Brushed Satin Nickel |
| 20.543.3.128 | 128mm BSN | 128 | 135 | 12 | 26 | Brushed Satin Nickel |
| 20.543.3.160 | 160mm BSN | 160 | 167 | 12 | 26 | Brushed Satin Nickel |
| 20.543.3.240 | 240mm BSN | 240 | 247 | 12 | 26 | Brushed Satin Nickel |
| 20.543.3.288 | 288mm BSN | 288 | 295 | 12 | 26 | Brushed Satin Nickel |
| 20.543.9.096 | 96mm BLACK | 96 | 103 | 12 | 26 | BLACK |
| 20.543.9.128 | 128mm BLACK | 128 | 135 | 12 | 26 | BLACK |
| 20.543.9.160 | 160mm BLACK | 160 | 167 | 12 | 26 | BLACK |
| 20.543.9.240 | 240mm BLACK | 240 | 247 | 12 | 26 | BLACK |
| 20.543.9.288 | 288mm BLACK | 288 | 295 | 12 | 26 | BLACK |

Sigo 23.047

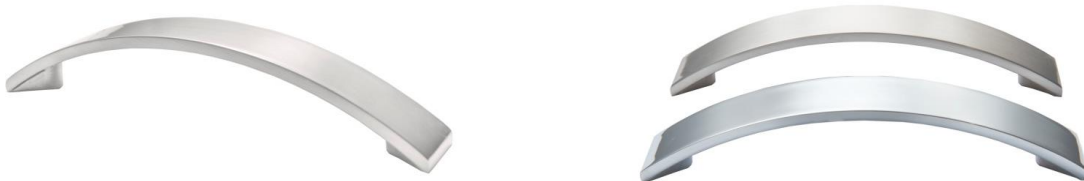
Material : Zinc Alloy



| CODE | DESCRIPTION | CTC | LENGTH | WIDTH | PROJ | FINISH |
|--------------|-------------|-----|--------|-------|------|----------------------|
| 23.047.3.096 | 96mm BSN | 96 | 160 | 12 | 25 | Brushed Satin Nickel |
| 23.047.3.128 | 128mm BSN | 128 | 200 | 12 | 25 | Brushed Satin Nickel |

Viva 21.308

Material : Zinc Alloy



| CODE | DESCRIPTION | CTC | LENGTH | WIDTH | PROJ | FINISH |
|--------------|-------------|-----|--------|-------|------|----------------------|
| 21.308.1.128 | 128mm PC | 128 | 134 | 21 | 29 | Polished Chrome |
| 21.308.3.128 | 128mm BSN | 128 | 134 | 21 | 29 | Brushed Satin Nickel |

Steel Handles >>

Roman 22.002

Material : Solid Steel



| CODE | DESCRIPTION | CTC | LENGTH | DIA. | PROJ | FINISH |
|--------------|-------------|-----|--------|------|------|-----------------|
| 22.002.1.096 | 96mm PC | 96 | 106 | 10 | 32 | Polished Chrome |
| 22.002.2.096 | 96mm SC | 96 | 106 | 10 | 32 | Satin Chrome |

T-Bar 22.001

Material: Solid Steel



| CODE | DESCRIPTION | CTC | LENGTH | WIDTH | PROJ | FINISH |
|--------------|-------------|-----|--------|-------|------|----------------------|
| 22.001.3.096 | 96mm BSN | 96 | 155 | 12 | 35 | Brushed Satin Nickel |
| 22.001.3.128 | 128mm BSN | 128 | 188 | 12 | 35 | Brushed Satin Nickel |
| 22.001.3.160 | 160mm BSN | 160 | 220 | 12 | 35 | Brushed Satin Nickel |
| 22.001.3.192 | 192mm BSN | 192 | 252 | 12 | 35 | Brushed Satin Nickel |
| 22.001.3.224 | 224mm BSN | 224 | 284 | 12 | 35 | Brushed Satin Nickel |
| 22.001.3.320 | 320mm BSN | 320 | 380 | 12 | 35 | Brushed Satin Nickel |
| 22.001.3.448 | 448mm BSN | 448 | 508 | 12 | 35 | Brushed Satin Nickel |

Aluminium Handles >>

PEAK 20.771

Material: Aluminium



| CODE | DESCRIPTION | LENGTH | PROJ | FINISH |
|--------------|----------------------|--------|------|----------------------|
| 20.771.5.37 | 37mm BSN- ALUMINIUM | 37 | 35 | Brushed Satin Nickel |
| 20.771.5.75 | 75mm BSN- ALUMINIUM | 75 | 35 | Brushed Satin Nickel |
| 20.771.5.100 | 100mm BSN- ALUMINIUM | 100 | 35 | Brushed Satin Nickel |
| 20.771.5.150 | 150mm BSN- ALUMINIUM | 150 | 35 | Brushed Satin Nickel |
| 20.771.5.200 | 200mm BSN- ALUMINIUM | 200 | 35 | Brushed Satin Nickel |
| 20.771.5.300 | 300mm BSN- ALUMINIUM | 300 | 35 | Brushed Satin Nickel |
| 20.771.5.500 | 500mm BSN- ALUMINIUM | 500 | 35 | Brushed Satin Nickel |
| 20.771.9.37 | 37mm BSN- ALUMINIUM | 37 | 35 | BLACK |
| 20.771.9.75 | 75mm BSN- ALUMINIUM | 75 | 35 | BLACK |
| 20.771.9.100 | 100mm BSN- ALUMINIUM | 100 | 35 | BLACK |
| 20.771.9.150 | 150mm BSN- ALUMINIUM | 150 | 35 | BLACK |
| 20.771.9.200 | 200mm BSN- ALUMINIUM | 200 | 35 | BLACK |
| 20.771.9.300 | 300mm BSN- ALUMINIUM | 300 | 35 | BLACK |
| 20.771.9.500 | 500mm BSN- ALUMINIUM | 500 | 35 | BLACK |

AVA 20.582

Material: Aluminium



| CODE | DESCRIPTION | CTC | LENGTH | WIDTH | PROJ | FINISH |
|--------------|-----------------------|-----|--------|-------|------|----------------------|
| 20.582.3.128 | 128mm BSN - ALUMINIUM | 128 | 136 | 12 | 28 | Brushed Satin Nickel |
| 20.582.3.160 | 160mm BSN- ALUMINIUM | 160 | 168 | 12 | 28 | Brushed Satin Nickel |
| 20.582.3.256 | 256mm BSN- ALUMINIUM | 224 | 232 | 12 | 28 | Brushed Satin Nickel |
| 20.582.3.320 | 320mm BSN- ALUMINIUM | 288 | 296 | 12 | 28 | Brushed Satin Nickel |

Stainless Steel Handles>>

Atrium 22.582

Material: Solid Stainless Steel



| CODE | DESCRIPTION | CTC | LENGTH | WIDTH | PROJ | FINISH |
|--------------|-------------|-----|--------|-------|------|-----------------------|
| 22.582.5.096 | 96mm SSS | 96 | 104 | 8x20 | 30 | Satin Stainless Steel |
| 22.582.5.128 | 128mm SSS | 128 | 136 | 8x20 | 30 | Satin Stainless Steel |
| 22.582.5.160 | 160mm SSS | 160 | 168 | 8x20 | 30 | Satin Stainless Steel |
| 22.582.5.224 | 224mm SSS | 224 | 232 | 8x20 | 30 | Satin Stainless Steel |
| 22.582.5.320 | 320mm SSS | 320 | 328 | 8x20 | 30 | Satin Stainless Steel |
| 22.582.5.448 | 448mm SSS | 448 | 456 | 8x20 | 30 | Satin Stainless Steel |
| 22.582.5.512 | 512mm SSS | 512 | 520 | 8x20 | 30 | Satin Stainless Steel |
| 22.582.5.700 | 700mm SSS | 700 | 708 | 8x20 | 30 | Satin Stainless Steel |

Court 20.113

Material : Solid Stainless Steel



| CODE | DESCRIPTION | CTC | LENGTH | WIDTH | PROJ | FINISH |
|--------------|-------------|-----|--------|-------|------|-----------------------|
| 20.113.5.096 | 96mm SSS | 96 | 108 | 6x12 | 30 | Satin Stainless Steel |
| 20.113.5.128 | 128mm SSS | 128 | 140 | 6x12 | 30 | Satin Stainless Steel |
| 20.113.5.160 | 160mm SSS | 160 | 172 | 6x12 | 30 | Satin Stainless Steel |
| 20.113.5.192 | 192mm SSS | 192 | 204 | 6x12 | 30 | Satin Stainless Steel |
| 20.113.5.224 | 224mm SSS | 224 | 236 | 6x12 | 30 | Satin Stainless Steel |
| 20.113.5.288 | 288mm SSS | 288 | 300 | 6x12 | 30 | Satin Stainless Steel |
| 20.113.5.320 | 320mm SSS | 320 | 332 | 6x12 | 30 | Satin Stainless Steel |
| 20.113.5.448 | 448mm SSS | 448 | 460 | 6x12 | 30 | Satin Stainless Steel |

Rondella 22.059

Material : Stainless Steel & Zinc Alloy



| CODE | DESCRIPTION | CTC | LENGTH | DIA. | PROJ | FINISH |
|--------------|-------------|-----|--------|------|------|-----------------------|
| 22.059.5.096 | 96mm SSS | 96 | 108 | 12 | 30 | Satin Stainless Steel |
| 22.059.5.128 | 128mm SSS | 128 | 140 | 12 | 30 | Satin Stainless Steel |
| 22.059.5.160 | 160mm SSS | 160 | 172 | 12 | 30 | Satin Stainless Steel |
| 22.059.5.224 | 224mm SSS | 224 | 236 | 12 | 30 | Satin Stainless Steel |
| 22.059.5.288 | 288mm SSS | 288 | 300 | 12 | 30 | Satin Stainless Steel |
| 22.059.5.320 | 320mm SSS | 320 | 332 | 12 | 30 | Satin Stainless Steel |

Cubo-10 21.010

Material : Solid Stainless Steel



| CODE | DESCRIPTION | CTC | LENGTH | WIDTH | PROJ | FINISH |
|--------------|-------------|-----|--------|-------|------|-----------------------|
| 21.010.5.096 | 96mm SSS | 96 | 106 | 10x10 | 32 | Satin Stainless Steel |
| 21.010.5.128 | 128mm SSS | 128 | 138 | 10x10 | 32 | Satin Stainless Steel |
| 21.010.5.160 | 160mm SSS | 160 | 170 | 10x10 | 32 | Satin Stainless Steel |
| 21.010.5.192 | 192mm SSS | 192 | 202 | 10x10 | 32 | Satin Stainless Steel |
| 21.010.5.224 | 224mm SSS | 224 | 234 | 10x10 | 32 | Satin Stainless Steel |

Cubo-12 21.212

Material : Solid Stainless Steel



| CODE | DESCRIPTION | CTC | LENGTH | WIDTH | PROJ | FINISH |
|--------------|-------------|-----|--------|-------|------|-----------------------|
| 21.212.5.320 | 320mm SSS | 320 | 332 | 12x12 | 32 | Satin Stainless Steel |
| 21.212.5.352 | 352mm SSS | 352 | 364 | 12x12 | 32 | Satin Stainless Steel |
| 21.212.5.448 | 448mm SSS | 448 | 460 | 12x12 | 32 | Satin Stainless Steel |
| 21.212.5.528 | 528mm SSS | 528 | 540 | 12x12 | 32 | Satin Stainless Steel |

Lipul 20.001

Material : Stainless Steel



| CODE | DESCRIPTION | LENGTH | WIDTH | PROJ | FINISH |
|--------------|------------------------------------|--------|-------|------|--------------------------|
| 20.001.5.037 | 37mm Lip Pull SSS | 37 | 35 | - | Satin Stainless Steel |
| 20.001.5.075 | 75mm Lip Pull SSS | 75 | 35 | - | Satin Stainless Steel |
| 20.001.5.100 | 100mm Lip Pull SSS | 100 | 35 | - | Satin Stainless Steel |
| 20.001.5.150 | 150mm Lip Pull SSS | 150 | 35 | - | Satin Stainless Steel |
| 20.001.5.200 | 200mm Lip Pull SSS | 200 | 35 | - | Satin Stainless Steel |
| 20.001.5.300 | 300mm Lip Pull SSS | 300 | 35 | - | Satin Stainless Steel |
| 20.001.6.037 | 37mm Lip Pull PSS | 37 | 35 | - | Polished Stainless Steel |
| 20.001.6.075 | 75mm Lip Pull PSS | 75 | 35 | - | Polished Stainless Steel |
| 20.001.6.100 | 100mm Lip Pull PSS | 100 | 35 | - | Polished Stainless Steel |
| 20.001.6.150 | 150mm Lip Pull PSS | 150 | 35 | - | Polished Stainless Steel |
| 20.001.6.200 | 200mm Lip Pull PSS | 200 | 35 | - | Polished Stainless Steel |
| 20.001.6.300 | 300mm Lip Pull PSS | 300 | 35 | - | Polished Stainless Steel |
| 20.001.7.037 | 37mm Lip Pull Powder Coated WHITE | 37 | 35 | - | Powder Coated WHITE |
| 20.001.7.075 | 75mm Lip Pull Powder Coated WHITE | 75 | 35 | - | Powder Coated WHITE |
| 20.001.7.100 | 100mm Lip Pull Powder Coated WHITE | 100 | 35 | - | Powder Coated WHITE |
| 20.001.7.150 | 150mm Lip Pull Powder Coated WHITE | 150 | 35 | - | Powder Coated WHITE |
| 20.001.7.200 | 200mm Lip Pull Powder Coated WHITE | 200 | 35 | - | Powder Coated WHITE |
| 20.001.7.300 | 300mm Lip Pull Powder Coated WHITE | 300 | 35 | - | Powder Coated WHITE |
| 20.001.9.037 | 37mm Lip Pull Powder Coated BLACK | 37 | 35 | - | Powder Coated BLACK |
| 20.001.9.075 | 75mm Lip Pull Powder Coated BLACK | 75 | 35 | - | Powder Coated BLACK |
| 20.001.9.100 | 100mm Lip Pull Powder Coated BLACK | 100 | 35 | - | Powder Coated BLACK |
| 20.001.9.150 | 150mm Lip Pull Powder Coated BLACK | 150 | 35 | - | Powder Coated BLACK |
| 20.001.9.200 | 200mm Lip Pull Powder Coated BLACK | 200 | 35 | - | Powder Coated BLACK |
| 20.001.9.300 | 300mm Lip Pull Powder Coated BLACK | 300 | 35 | - | Powder Coated BLACK |

Quad-10 22.410

Material : Solid Stainless Steel



| CODE | DESCRIPTION | CTC | LENGTH | WIDTH | PROJ | FINISH |
|--------------|-------------|-----|--------|-------|------|-----------------------|
| 22.410.5.128 | 128mm SSS | 128 | 138 | 10x10 | 30 | Satin Stainless Steel |
| 22.410.5.160 | 160mm SSS | 160 | 170 | 10x10 | 30 | Satin Stainless Steel |
| 22.410.5.224 | 224mm SSS | 224 | 234 | 10x10 | 30 | Satin Stainless Steel |
| 22.410.5.288 | 288mm SSS | 288 | 298 | 10x10 | 30 | Satin Stainless Steel |
| 22.410.5.320 | 320mm SSS | 320 | 330 | 10x10 | 30 | Satin Stainless Steel |
| 22.410.5.448 | 448mm SSS | 448 | 458 | 10x10 | 30 | Satin Stainless Steel |
| 22.410.5.512 | 512mm SSS | 512 | 522 | 10x10 | 30 | Satin Stainless Steel |
| 22.410.5.700 | 700mm SSS | 700 | 710 | 10x10 | 30 | Satin Stainless Steel |

Quad-12 22.412

Material : Solid Stainless Steel



| CODE | DESCRIPTION | CTC | LENGTH | WIDTH | PROJ | FINISH |
|--------------|-------------|-----|--------|-------|------|-----------------------|
| 22.412.5.096 | 96mm SSS | 96 | 108 | 12x12 | 30 | Satin Stainless Steel |
| 22.412.5.128 | 128mm SSS | 128 | 140 | 12x12 | 30 | Satin Stainless Steel |
| 22.412.5.160 | 160mm SSS | 160 | 172 | 12x12 | 30 | Satin Stainless Steel |
| 22.412.5.192 | 192mm SSS | 192 | 204 | 12x12 | 30 | Satin Stainless Steel |
| 22.412.5.224 | 224mm SSS | 224 | 236 | 12x12 | 30 | Satin Stainless Steel |
| 22.412.5.320 | 320mm SSS | 320 | 332 | 12x12 | 30 | Satin Stainless Steel |
| 22.412.5.448 | 448mm SSS | 448 | 460 | 12x12 | 30 | Satin Stainless Steel |
| 22.412.5.480 | 480mm SSS | 480 | 492 | 12x12 | 30 | Satin Stainless Steel |
| 22.412.5.512 | 512mm SSS | 512 | 524 | 12x12 | 30 | Satin Stainless Steel |
| 22.412.5.700 | 700mm SSS | 700 | 712 | 12x12 | 30 | Satin Stainless Steel |

Ronda 22.812

Material : Solid Stainless Steel



| CODE | DESCRIPTION | CTC | LENGTH | DIA. | PROJ | FINISH |
|--------------|-------------|-----|--------|------|------|-----------------------|
| 22.812.5.128 | 128mm SSS | 128 | 140 | 12 | 35 | Satin Stainless Steel |
| 22.812.5.224 | 224mm SSS | 224 | 236 | 12 | 35 | Satin Stainless Steel |
| 22.812.5.288 | 288mm SSS | 288 | 300 | 12 | 35 | Satin Stainless Steel |

Steelo 22.002

Material : Stainless Steel



| CODE | DESCRIPTION | CTC | LENGTH | DIA. | PROJ | FINISH |
|--------------|-------------|-----|--------|------|------|-----------------------|
| 22.002.5.096 | 96mm SSS | 96 | 106 | 10 | 32 | Satin Stainless Steel |
| 22.002.5.128 | 128mm SSS | 128 | 138 | 10 | 32 | Satin Stainless Steel |
| 22.002.5.160 | 160mm SSS | 160 | 170 | 10 | 32 | Satin Stainless Steel |
| 22.002.5.192 | 192mm SSS | 192 | 202 | 10 | 32 | Satin Stainless Steel |

Square T- Bar 20.124

Material : Stainless Steel Hollow



| CODE | DESCRIPTION | CTC | LENGTH | WIDTH | PROJ | FINISH |
|--------------|-------------|-----|--------|-------|------|--------------------------|
| 20.124.6.096 | 96mm PSS | 96 | 145 | 10 | 32 | Polished Stainless Steel |
| 20.124.6.128 | 128mm PSS | 128 | 177 | 10 | 32 | Polished Stainless Steel |
| 20.124.6.160 | 160mm PSS | 160 | 210 | 10 | 32 | Polished Stainless Steel |

Zinc Alloy Knobs >>

Cylinder 21.160

Material : Zinc Alloy



| CODE | DESCRIPTION | LENGTH | WIDTH | PROJ | FINISH |
|--------------|-----------------------|--------|-------|------|-----------------|
| 21.160.1.K18 | Cylinder Knob 18mm PC | - | 18 | 26 | Polished Chrome |
| 21.160.1.K25 | Cylinder Knob 25mm PC | - | 25 | 28 | Polished Chrome |
| 21.160.2.K18 | Cylinder Knob 18mm SC | - | 18 | 26 | Satin Chrome |
| 21.160.2.K25 | Cylinder Knob 25mm SC | - | 25 | 28 | Satin Chrome |

Oval 23.613

Material : Zinc Alloy



| CODE | DESCRIPTION | CTC | LENGTH | WIDTH | PROJ | FINISH |
|--------------|-------------------|-----|--------|-------|------|-----------------|
| 23.613.1.K36 | Knob Oval 36mm PC | - | 36 | - | 22 | Polished Chrome |
| 23.613.2.K36 | Knob Oval 36mm SC | - | 36 | - | 22 | Satin Chrome |

Table 23.318

Material : Zinc Alloy



| CODE | DESCRIPTION | CTC | LENGTH | WIDTH | PROJ | FINISH |
|--------------|---------------|-----|--------|-------|------|----------------------|
| 23.318.3.K40 | Knob 40mm BSN | 16 | 40 | 21 | 19 | Brushed satin Nickel |
| 23.318.3.K65 | Knob 65mm BSN | 32 | 65 | 19 | 19 | Brushed satin Nickel |

Stainless Steel Knobs >>
Ugo-21.011

Material : Stainless Steel



| CODE | DESCRIPTION | LENGTH | WIDTH | PROJ | FINISH |
|--------------|---------------------|--------|---------|------|-----------------------|
| 21.011.5.K25 | Round Knob 25mm SSS | - | Dia. 25 | 22 | Satin Stainless Steel |

4. WASTE BINS, LAUNDRY HAMPERS & CUTLERY TRAYS

| | |
|--|--|
| 4. SIGE WASTE BINS & LAUNDRY HAMPERS | 4-2 |
| Sige 574 bin to suit 300mm cabinet | 4-3 |
| Sige 570 bin to suit 400mm cabinet | 4-3 |
| Sige 571 bin to suit 450mm cabinet | 4-4 |
| Sige 572 bin to suit 500mm cabinet | 4-5 |
| Sige 573 bin to suit 600mm cabinet | 4-5 |
| Sige 590 Laundry Hamper to suit 450mm cabinet | 4-6 |
| Sige 594 Laundry Hamper to suit 450mm cabinet | 4-6 |
| WAKO-EURO WASTE BINS | 4-7 |
| ELLETIPI 48L bin – BLUM INTIVO to suit 450mm cabinet | 4-7 |
| ELLETIPI 48L bin – LEGRABOX to suit 450mm cabinet | 4-7 |
| ELLETIPI 70L bin – BLUM INTIVO to suit 500mm cabinet | 4-8 |
| ELLETIPI 70L bin – BLUM INTIVO to suit 600mm cabinet | 4-8 |
| ELLETIPI 64L bin – BLUM INTIVO to suit 600mm cabinet | 4-9 |
| ELLETIPI 64L bin – BLUM LEGRABOX to suit 600mm cabinet | 4-9 |
| ELLETIPI Powder Coated Metal Lid | 4-8 |
| WAKO WASTE BINS & LAUNDRY HAMPERS | WAKO WASTE BINS & LAUNDRY HAMPERS |
| 4-11 | 4-11 |
| WAKO 40L Soft Close Pull Out Waste Bin | 4-11 |
| WAKO 30L Self Close Pull Out Waste Bin | 4-11 |
| WAKO 30L Self Close Pull Out Waste Bin | 4-11 |
| WAKO 70L bin to suit 600mm cabinet | 4-12 |
| WAKO 48L – LAUNDRY HAMPER to suit 450mm cabinet | 4-13 |
| WAKO 70L – LAUNDRY HAMPER to suit 600mm cabinet | 4-13 |
| KIMBERLEY WASTE BINS | 4-13 |
| Kimberley KRB06 | 4-13 |
| Kimberley KRB06D | 4-14 |
| Kimberley KRB08 | 4-14 |
| Kimberley KRB12 | 4-14 |
| Kimberley KRB16 | 4-14 |
| CUTLERY TRAY INSERTS | 4-14 |
| Kimberley Cutlery Trays | 4-14 |
| Stainless Steel Cutlery Trays | 4-15 |

UPPO Cutlery Trays – Made in Italy 4-16

SIGE Waste Bins >>



Sige is a well-known brand for differentiated waste disposals, laundry hampers and provides genuine quality systems.

Variety of sizes and compositions helps accommodate any requirement intelligently.

Waste bins and laundry hampers are supplied with high quality **GRASS** slides for smooth function.

Simplicity of application and use, presence of cutting-edge mechanisms, quick recycling, and ease.

Side mounted installation.



SIGE 574 Soft Close Bin to suit 300mm cabinet

1 X 35 Litre Bucket / Door Pull

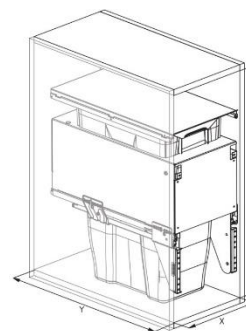
- Supplied with 50Kgs Over Extension GRASS Slides
- Finish: GREY, Made in ITALY

› ◻ ◀ Width (X) Depth (Y) Height (Z) Litres

300 260-268 505 560 35



| CODE | DESCRIPTION |
|-------------|--|
| 3.300SG.35L | SIGE Soft Close Bin 574 – 35L Door Pull 1x35L GREY |



SIGE 570 Soft Close Bin to suit 400mm cabinet

1 X 35 Litre Bucket / Door Pull

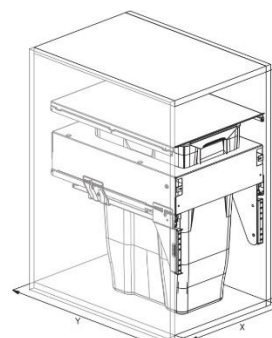
- Supplied with 50Kgs Over Extension GRASS Slides
- Finish: GREY, Made in ITALY

› ◻ ◀ Width (X) Depth (Y) Height (Z) Litres

400 360-368 505 560 35



| CODE | DESCRIPTION |
|-------------|--|
| 3.400SG.35L | SIGE Soft Close Bin 570 – 35L Door Pull 1x35L GREY |



SIGE 571 Soft Close Bin to suit 450mm cabinet

2 X 35 Litre Buckets / Door Pull

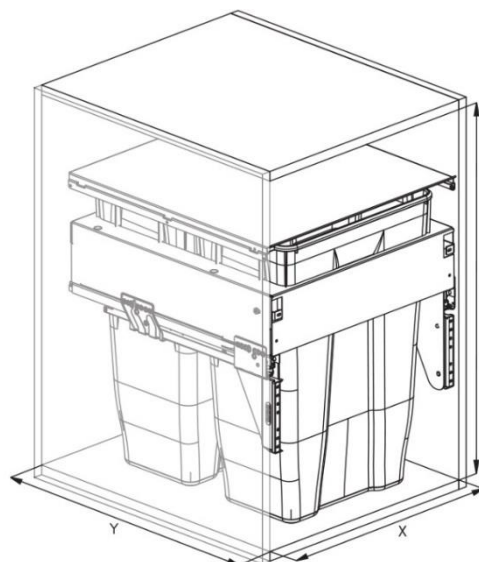
- Supplied with 50Kgs Over Extension GRASS Slides
- Finish: GREY, Made in ITALY



| CODE | DESCRIPTION |
|-------------|--|
| 3.450SG.70L | SIGE Soft Close Bin 571 – 70L Door Pull 2x35L GREY |


 Width (X) Depth (Y) Height (Z) Litres

| | | | | |
|-----|---------|-----|-----|----|
| 450 | 410-418 | 505 | 560 | 70 |
|-----|---------|-----|-----|----|



SIGE 572 Soft Close Bin to suit 500mm cabinet

2 X 35 Litre Buckets / Door Pull

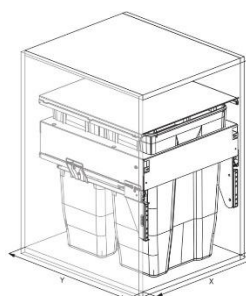
- Supplied with 50Kgs Over Extension GRASS Slides
- Finish: GREY, Made in ITALY



| CODE | DESCRIPTION |
|-------------|--|
| 3.450SG.70L | SIGE Soft Close Bin 571 – 70L Door Pull 2x35L GREY |


 Width (X) Depth (Y) Height (Z) Litres

450 460-468 505 560 70



SIGE 573 Soft Close Bin to suit 600mm cabinet

85L (2 X 35L + 2 x 7.5L) Buckets / Door Pull

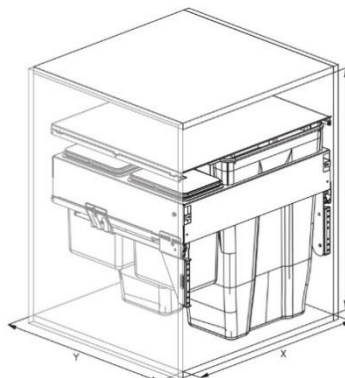
- Supplied with 50Kgs Over Extension GRASS Slides
- Finish: GREY, Made in ITALY



| CODE | DESCRIPTION |
|-------------|---|
| 3.600SG.70L | SIGE Soft Close Bin 573 – 85L Door Pull (2x35L + 2 x 7.5L) GREY |


 Width (X) Depth (Y) Height (Z) Litres

600 560-568 505 560 85



SIGE 590 Soft Close Single Bucket Laundry Hamper to suit 450mm cabinet

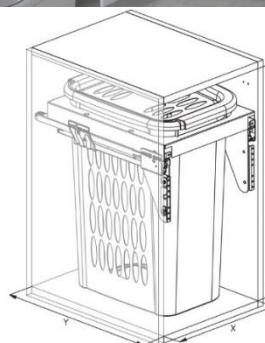
1 X 53 Litre Bucket with lid / Door Pull

- Supplied with 40Kgs Full Extension GRASS Slides
- Finish: WHITE, Made in ITALY

| CODE | DESCRIPTION |
|-------------|--|
| 3.82450.53L | SIGE Soft Close Laundry Hamper 590 – 53L Door Pull 1x53L WHITE |



450 410 500 720 53



SIGE 594 Soft Close Double Bucket Laundry Hamper to suit 450mm cabinet

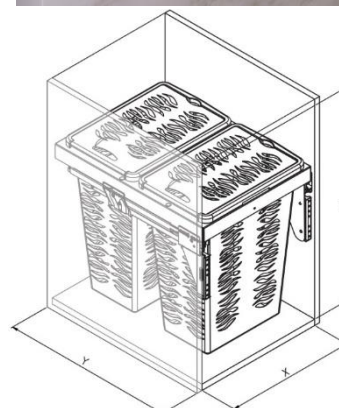
2 X 30 Litre Buckets with lids / Door Pull

- Supplied with 40Kgs Full Extension GRASS Slides
- Finish: WHITE & DARK GREY, Made in ITALY

| CODE | DESCRIPTION |
|-------------|--|
| 3.92450.60L | SIGE Soft Close Laundry Hamper 594 – 60L Door Pull 2x30L WHITE & DARK GREY buckets |



450 410 550 600 60



WAKO-EURO bins – SQUARE 2.0 series by elletipi

Elletipi 48L Soft Close Bin to suit 450mm cabinet

2 X 24 Litre Buckets / Door Pull

- Supplied with **Blum** Intivo Matt Black Drawer
- Equipped with one lid and anti-odour filter
- Finish: DARK GREY, Made in ITALY



| CODE | DESCRIPTION |
|-------------|---|
| 3.90141.450 | ELLETIPI Soft Close Bin 48L Door Pull 2x24L Dark Grey buckets |



Width Depth Height Litres

450 410-418 480 440 48

Elletipi 48L - LEGRABOX Soft Close Bin to suit 450mm cabinet

2 X 24 Litre Buckets / Door Pull

- Supplied with **Blum** LEGRABOX Orion Grey Height 'C' Drawer
- Equipped with one lid and anti-odour filter
- Finish: DARK GREY, Made in ITALY



| CODE | DESCRIPTION |
|--------------|---|
| 3.90151L.450 | ELLETIPI Soft Close Bin 48L to suit Blum LEGRABOX 2x24L Dark Grey buckets |



Width Depth Height Litres

450 410-418 480 440 48


Elletipi 70L Soft Close Bin to suit 500mm cabinet

2 X 35 Litre Buckets / Door Pull

- Supplied with **Blum** Intivo Matt Black Drawer
- Equipped with two lids
- Finish: DARK GREY, Made in ITALY

| CODE | DESCRIPTION |
|-------------|---|
| 3.90261.500 | ELLETIPI Soft Close Bin 70L Door Pull 2x35L Dark Grey buckets |



|  | Width | Depth | Height | Litres | |
|---|-------|---------|--------|--------|----|
| | 500 | 460-468 | 480 | 530 | 70 |


Elletipi 70L Soft Close Bin to suit 600mm cabinet

2 X 35 Litre Buckets / Door Pull

- Supplied with **Blum** Intivo Matt Black Drawer
- Equipped with two lids
- Finish: DARK GREY, Made in ITALY

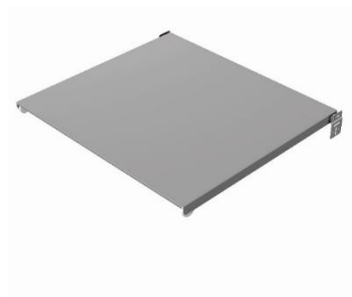
| CODE | DESCRIPTION |
|-------------|---|
| 3.90371.500 | ELLETIPI Soft Close Bin 70L Door Pull 2x35L Dark Grey buckets |



|  | Width | Depth | Height | Litres | |
|---|-------|---------|--------|--------|----|
| | 600 | 560-568 | 480 | 530 | 70 |

Elletipi Powder coated Metal Lid

| CODE | DESCRIPTION |
|-------------|-----------------------------------|
| 3.90401.450 | Powder coated lid to suit 450 Bin |
| 3.90402.500 | Powder coated lid to suit 500 Bin |
| 3.90403.600 | Powder coated lid to suit 600 Bin |



Elletipi 64L Soft Close Bin to suit 600mm cabinet

2 X 24 + 2 x 8 Litre Buckets / Door Pull

- Supplied with *Blum* Intivo Matt Black Drawer
- Equipped with 3 lids and one odour filter
- Finish: DARK GREY, Made in ITALY



| CODE | DESCRIPTION |
|-------------|--|
| 3.90372.500 | ELLETIPI Soft Close Bin 64L Door Pull 2x24L + 2 x 8L Dark Grey buckets |

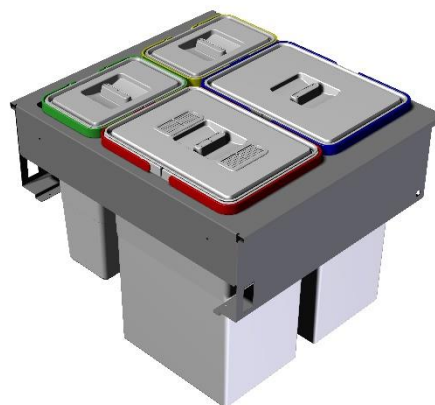


| | | | | |
|-----|---------|-----|-----|----|
| 600 | 560-568 | 480 | 440 | 64 |
|-----|---------|-----|-----|----|

Elletipi 64L – LEGRABOX Soft Close Bin to suit 600mm cabinet

2 X 24 + 2 x 8 Litre Buckets / Door Pull

- Supplied with *Blum* LEGRABOX Orion Grey Height 'C' Drawer
- Equipped with 3 lids and one odour filter
- Finish: DARK GREY, Made in ITALY



| CODE | DESCRIPTION |
|--------------|--|
| 3.90373L.500 | ELLETIPI Soft Close Bin 64L Door Pull 2x24L + 2 x 8L Dark Grey buckets |



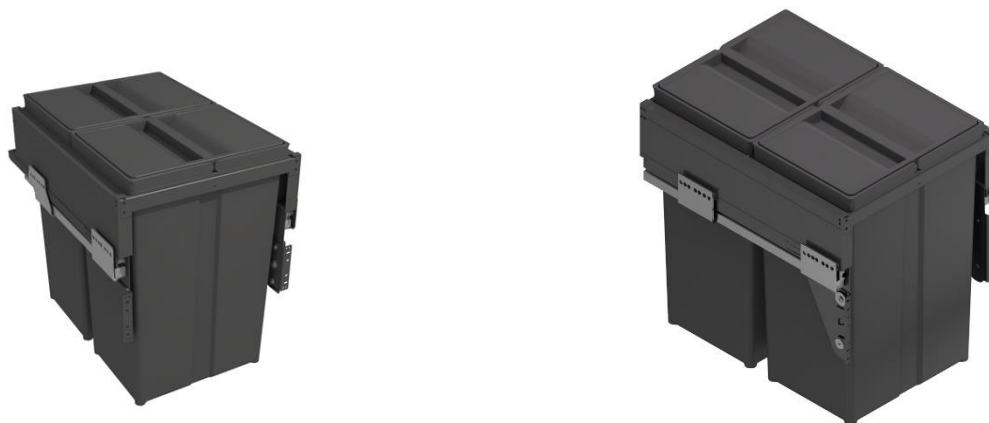
| | | | | |
|-----|---------|-----|-----|----|
| 600 | 560-568 | 480 | 440 | 64 |
|-----|---------|-----|-----|----|

ECO WASTE BINS

ECO Waste Bins 58L Soft Close to suit 400mm & 450mm cabinet

2 X 29 Litre Buckets / Pull out waste bin with suspended bins

- Supplied with 40Kgs Full extension GRASS Slides
- Finish: ANTHRACITE, Made in ITALY



| CODE | DESCRIPTION | CAPACITY | DIMENSIONS |
|------------|---|-----------|------------------------|
| 3.38789307 | ECO 400 Waste Twin Bin 2 x 29L to suit 400mm cabinet width | 29L / 29L | 362-368D x 463H x 458L |
| 3.38790307 | ECO 450 Waste Twin Bin 2 x 29L to suit 450mm cabinet width | 29L / 29L | 412-418D x 463H x 458L |

WAKO WASTE BINS & LAUNDRY HAMPERS

WAKO 40L Soft Close Pull-out Waste Bin

2 X 20 Litre Buckets / Bottom mounted Pull

- 340mm (W) x 430mm (H) x 490mm (D)
- Suitable for Cabinet width 400mm



| CODE | DESCRIPTION |
|------------|--|
| 3.40LB.400 | WAKO 2X20L Soft Close Pull-Out Waste Bin |

WAKO 30L Self Close Pull-out Waste Bin

2 X 15 Litre Buckets / Bottom mounted Bin

- 340mm (W) x 320mm (H) x 490mm (D)
- Suitable for under sink areas with cabinet width of 400mm



| CODE | DESCRIPTION |
|------------|--|
| 3.30LB.400 | WAKO 2X15L Pull Out Waste Bin – Bottom mounted |

WAKO 30L Self Close Pull-out Waste Bin

1 X 20 + 1 x 10 Litre Buckets / Bottom mounted Bin

- 262mm (W) x 420mm (H) x 490mm (D)
- Suitable for narrow cabinet width of 300mm

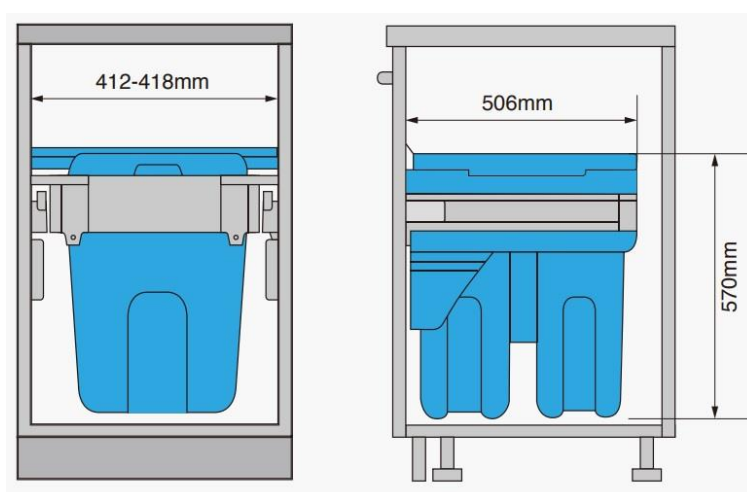


| CODE | DESCRIPTION |
|------------|--|
| 3.30LB.300 | WAKO 1X20L + 1x10L Pull Out Waste Bin – Bottom mounted |

WAKO 54L Soft Close Pull-out Waste Bin to suit 450mm cabinet

2 X 27 Litre Buckets – DARK GREY / Door Pull

- 412-418mm (W) x 570mm (H) x 506mm (D)
- Suitable for Cabinet width 450mm
- Supplied with Grey Cemux SlimPRO H Box runner



| CODE | DESCRIPTION |
|-------------|---|
| 3.54L.450GR | WAKO 2X27L Door mounted Waste Bin – Dark Grey Buckets |

WAKO 70L Soft Close Pull-out Waste Bin to suit 600mm cabinet

2 X 35 Litre Buckets – DARK GREY / Door Pull

- 562-568mm (W) x 563mm (H) x 570mm (D)
- Suitable for Cabinet width 600mm
- Can be installed using any standard tandem box drawer

*** Order drawer runner separately*



| CODE | DESCRIPTION |
|-----------|---|
| 3.70L.600 | WAKO 2X35L Door mounted Waste Bin – Dark Grey Buckets |

WAKO 48L Laundry Hamper to suit 450mm cabinet

1 X 48 Litre Bucket – WHITE / Door Pull

- 412-418mm (W) x 545mm (H) x 506mm (D)
- Suitable for Cabinet width 450mm
- Can be installed using any standard tandem box drawer

** Order drawer runner separately



| CODE | DESCRIPTION |
|-------------|-------------------------------|
| 3.48L.450LH | WAKO 48L Laundry Hamper WHITE |

WAKO 70L Laundry Hamper to suit 600mm cabinet

2 X 35 Litre Buckets – WHITE & BLUE / Door Pull

- 562-568mm (W) x 570mm (H) x 506mm (D)
- Suitable for Cabinet width 600mm
- Can be installed using any standard tandem box drawer

** Order drawer runner separately



| CODE | DESCRIPTION |
|---------------|--|
| 3.70L.600LHWB | WAKO 70L – 2x35L Laundry Hamper WHITE & BLUE buckets |

KIMBERLEY WASTE BINS

Kimberley KRB06

2 x 15 Litre Buckets

Handle Pull Slide opening

- Internal installation dims 355mm (W) x 345mm (H) x 530mm (D)
- Mounting type – Top or Bottom



| CODE | DESCRIPTION |
|------------|--|
| 3.B06.60.2 | Kimberley KRB06 2x15L Twin Waste Bin White |

Kimberley KRB06D

2 x 15 Litre Buckets

Door Pull Slide opening

- Internal installation dims 355mm (W)x345mm (H)x530mm (D)
- Mounting type – Door mounted



| CODE | DESCRIPTION |
|-------------|---|
| 3.B06D.60.2 | Kimberley KBR06D 2x15L Twin Waste Bin White |

Cutlery Tray Insert >>

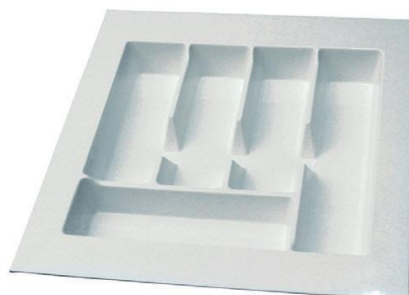
Kimberley Cutlery Tray Insert >>

- Constructed in durable high impact styrene
- Uniform thickness resists piercing by sharp utensils
- Injection moulded
- Side flaps easily trimmed to suit most drawers

Packing: 25 Per Box (Bulk)



KCI01 – STANDARD



KCI02 – DELUXE

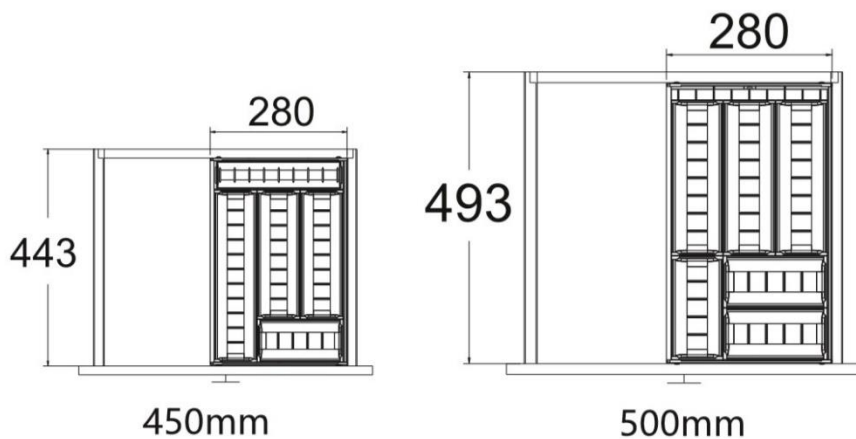


KCI05 – LARGE

| CODE | DEPTH* | WIDTH* | HEIGHT | COLOUR |
|---------|-----------|-------------|--------|--------|
| 3.KCI01 | 346 – 435 | 306 – 450 | - | WHITE |
| 3.KCI02 | 362 – 484 | 357 – 445 | - | WHITE |
| 3.KCI05 | 490 | 532W X 490D | 57 | WHITE |

*Side flaps can be easily trimmed to suit most drawer sizes.

Stainless Steel Cutlery Tray Insert >>



| CODE | DEPTH* | WIDTH* | HEIGHT | COLOUR |
|-----------|--------|--------|--------|-----------------|
| 3.552.304 | 443 | 280 | 64 | STAINLESS STEEL |
| 3.552.305 | 493 | 280 | 64 | STAINLESS STEEL |

UPPO CUTLERY TRAYS: (Made in Italy)

UPPO Cutlery Tray for 450 cabinet

Available in White & Dark Grey Finish

- 360-445mm (W) x 50mm (H) x 410-490mm (D)
- Made from Thermoplastic material



| CODE | DESCRIPTION |
|------------|---|
| 3.R450.GR | UPPO Cutlery Tray DARK GREY to suit 450mm cabinet width |
| 3.R450.WHT | UPPO Cutlery Tray WHITE to suit 450mm cabinet width |

UPPO Cutlery Tray for 600 cabinet

Available in White & Dark Grey Finish

- 510-530mm (W) x 50mm (H) x 410-490mm (D)
- Made from Thermoplastic material

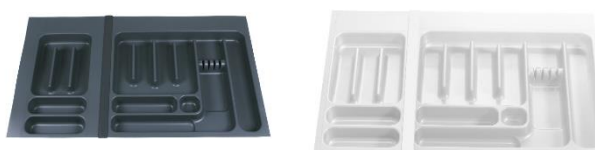


| CODE | DESCRIPTION |
|------------|---|
| 3.R600.GR | UPPO Cutlery Tray DARK GREY to suit 600mm cabinet width |
| 3.R600.WHT | UPPO Cutlery Tray WHITE to suit 600mm cabinet width |

UPPO Cutlery Tray for 900 cabinet

Available in White & Dark Grey Finish

- 800-830mm (W) x 50mm (H) x 410-490mm (D)
- Made from Thermoplastic material
- Supplied with connecting profile.



| CODE | DESCRIPTION |
|------------|---|
| 3.R900.GR | UPPO Cutlery Tray DARK GREY to suit 900mm cabinet width |
| 3.R900.WHT | UPPO Cutlery Tray WHITE to suit 900mm cabinet width |

*Side flaps can be easily trimmed to suit most drawer sizes.

5. KITCHEN ACCESSORIES AND STORAGE SOLUTIONS

PULL OUT STORAGE SOLUTIONS >>..... 5-2

FORMA: MULTIPURPOSE BASKET – CLASSIC -WIRE BASE.....5-2

TRIX: PULL OUT BOTTLE SIDE RUNNERS 150 & 200 – CLASSIC – WIRE BASE.....5-4

FLORA: PULL OUT BOTTLE SIDE RUNNERS 150 & 200 – COMPACT – ROUND WIRE.....5-6

NOVA: FLAT WIRE - PULL OUT BOTTLE SIDE RUNNERS 150 & 200.....5-8

FLORA: PULL OUT BOTTLE SIDE RUNNERS 300 – COMPACT – ROUND WIRE.....5-9

NOVA: PULL OUT BOTTLE SIDE RUNNERS 300 – FLAT WIRE.....5-11

STYLO: PULL OUT FRAME SIDE RUNNERS 300 – COMPACT.....5-12

ZYLA - ANTHRACITE PULL OUT FRAME – FLAT WIRE.....5-18

ZYLA: CHROME PULL OUT FRAME – FLAT WIRE.....5-19

TITAN - PULL OUT PANTRY COLUMN ANTHRACITE – FLAT WIRE.....5-21

TITAN - PULL OUT PANTRY COLUMN WHITE – FLAT WIRE.....5-22

ZULO - PULL OUT PANTRY COLUMN COMPACT – ROUND WIRE.....5-24

CORNER STORAGE SOLUTIONS >>.....5-30

BELARINA: 270 SWIVEL BASKET COMPACT - MELAMINE.....5-30

BELARINA WIRE: 270 SWIVEL BASKET CLASSIC – WIRE BASE.....5-31

PRISMA: MAGIC CORNER: ARTICULATED PULL OUT FRAME – FLAT WIRE.....5-33

DIOLO: MAGIC CORNER: ARTICULATED PULL OUT FRAME – COMPACT – ROUND WIRE.....5-35

DOLPHIN SLIDING PULL - OUT – FLAT WIRE..... 5-37

TEA TOWEL PULL OUT >>.....5-39

ALUMINIUM PULL-OUT TEA-TOWEL – NON-SLIP.....5-39

PULL OUT STORAGE SOLUTIONS >>

FORMA: MULTIPURPOSE BASKET – CLASSIC -WIRE BASE

Supplied with Quadro **Hettich** Soft Close Runners

Maximum load 30 kg each basket. Adjustable for 16-19mm cabinet thickness

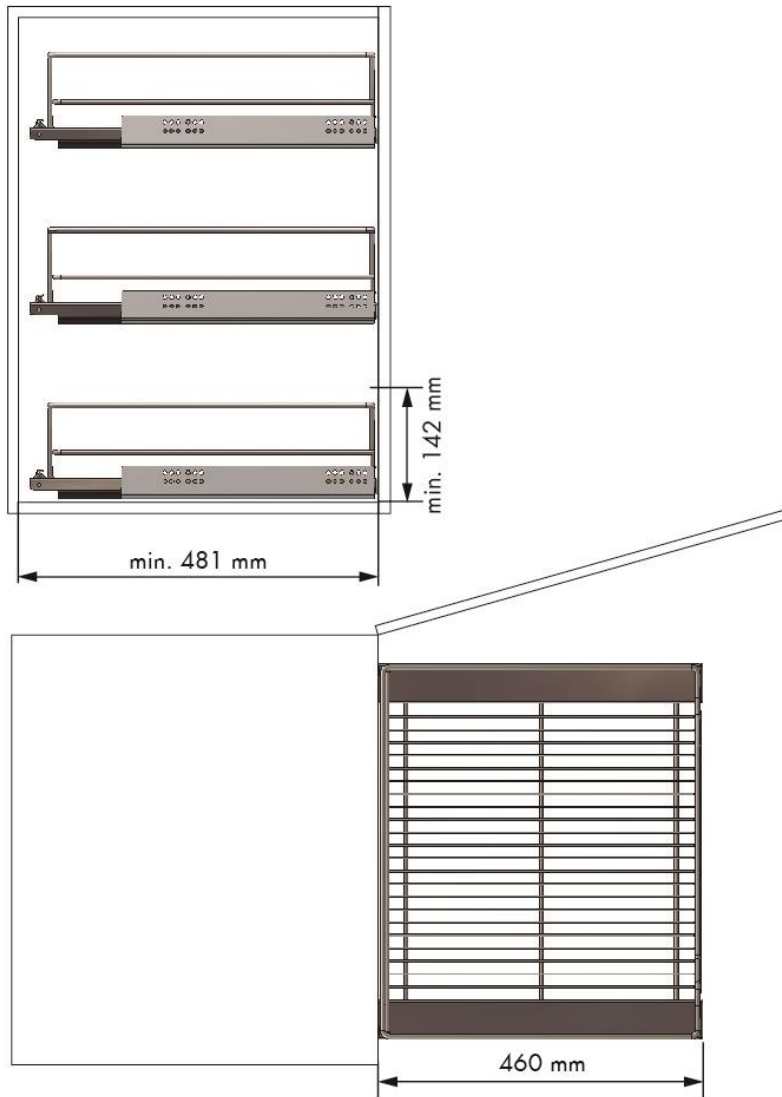
Made in Spain



| CODE | DESCRIPTION | FRONT | DIMENSIONS |
|------------|-----------------------------------|-------|------------------------|
| 3.38535014 | Multipurpose Basket – WIRE CHROME | 400 | 362-368D x 137H x 476L |
| 3.38536014 | Multipurpose Basket – WIRE CHROME | 450 | 412-418D x 137H x 476L |
| 3.38537014 | Multipurpose Basket – WIRE CHROME | 500 | 462-468D x 137H x 476L |
| 3.38538014 | Multipurpose Basket – WIRE CHROME | 600 | 562-568D x 137H x 476L |

FORMA: MULTIPURPOSE BASKET – CLASSIC -WIRE BASE

Supplied with Quadro **Hettich** Soft Close Runners



TRIX: PULL OUT BOTTLE SIDE RUNNERS 150 & 200 – CLASSIC – WIRE BASE

Supplied with Quadro Hettich Runners

Wire Base, Chrome Steel. Maximum load 15 kg

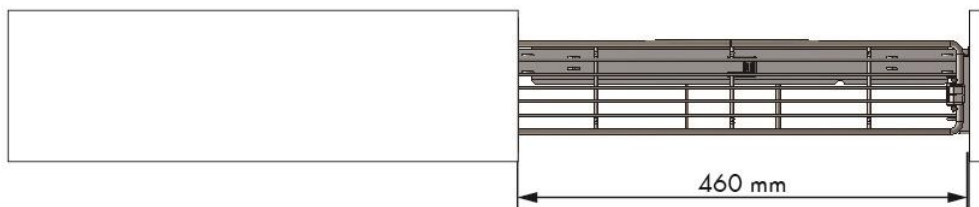
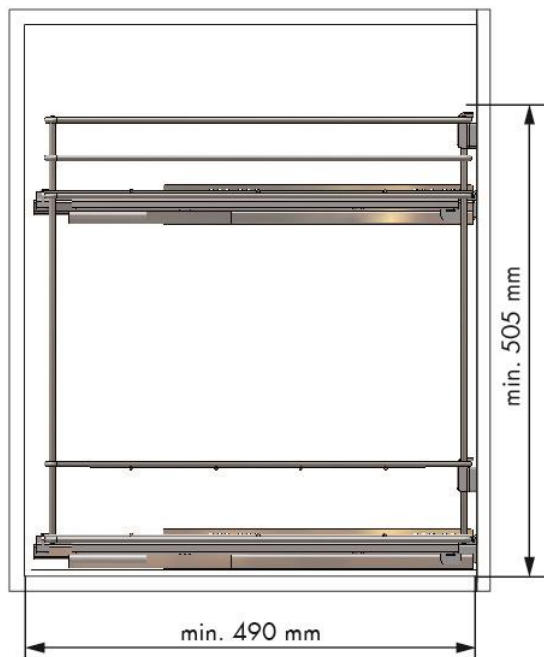
Adjustable for 16 to 19mm cabinet thickness

Made in Spain



| CODE | DESCRIPTION | FRONT | EXTRACTION | DIMENSIONS |
|------------|--|-------|------------|-----------------------|
| 3.38733014 | Pull Out Bottle Side Runner CLASSIC – RIGHT | 150 | 460 | 108W x 500H x 487D mm |
| 3.38734014 | Pull Out Bottle Side Runner CLASSIC – LEFT | 150 | 460 | 108W x 500H x 487D mm |
| 3.38735014 | Pull Out Bottle Side Runner CLASSIC – RIGHT | 200 | 460 | 132W x 500H x 487D mm |
| 3.38736014 | Pull Out Bottle Side Runner CLASSIC – LEFT | 200 | 460 | 132W x 500H x 487D mm |

TRIX: PULL OUT BOTTLE SIDE RUNNERS 150 & 200 – CLASSIC – WIRE BASE



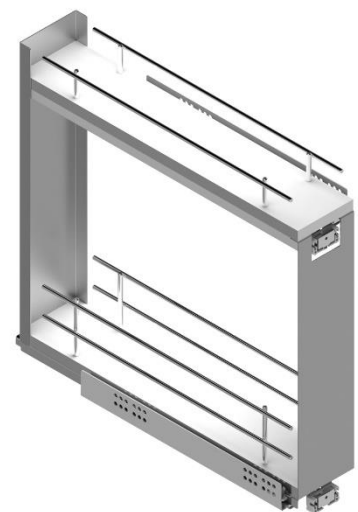
FLORA: PULL OUT BOTTLE SIDE RUNNERS 150 & 200 – COMPACT – ROUND WIRE

Supplied with **BLUM Runners**

White Melamine Base, Chrome Steel. Maximum load 15 kg

Adjustable for 16 to 19mm cabinet thickness

Made in Spain



| CODE | DESCRIPTION | FRONT | EXTRACTION | DIMENSIONS |
|------------|--|-------|------------|-----------------------|
| 3.47298014 | Pull Out Bottle Side BLUM Runner COMPACT | 150 | 460 | 118W x 481H x 493L mm |
| 3.48327014 | Bottle Spacers Set 150F | | | |
| 3.47299014 | Pull Out Bottle Side BLUM Runner COMPACT | 200 | 460 | 168W x 481H x 493L mm |
| 3.48328014 | Bottle Spacers Set 200F | | | |

**FLORA: PULL OUT BOTTLE SIDE RUNNERS 150 & 200 – COMPACT – ROUND
WIRE**



NOVA: FLAT WIRE - PULL OUT BOTTLE SIDE RUNNERS 150 & 200

Supplied with **BLUM Runners**

White Melamine Base, ANTHRACITE & CHROME Steel. Maximum load 15 kg

Adjustable for 16 to 19mm cabinet thickness

Made in Spain



| CODE | DESCRIPTION | FRONT | EXTRACTION | DIMENSIONS |
|------------|--|-------|------------|-----------------------|
| 3.49001014 | FLAT WIRE Pull Out Bottle Side BLUM Runner – CHROME | 150 | 460 | 118W x 533H x 490L mm |
| 3.49001007 | FLAT WIRE Pull Out Bottle Side BLUM Runner – ANTHRACITE | 150 | 460 | 118W x 533H x 490L mm |
| 3.49043014 | FLAT WIRE Pull Out Bottle Side BLUM Runner – CHROME | 200 | 460 | 168W x 533H x 490L mm |
| 3.49043007 | FLAT WIRE Pull Out Bottle Side BLUM Runner – ANTHRACITE | 200 | 460 | 168W x 533H x 490L mm |

FLORA: PULL OUT BOTTLE SIDE RUNNERS 300 – COMPACT – ROUND WIRE

Supplied with **BLUM Runners**

White Melamine Base, Chrome Steel. Maximum load 30 kg

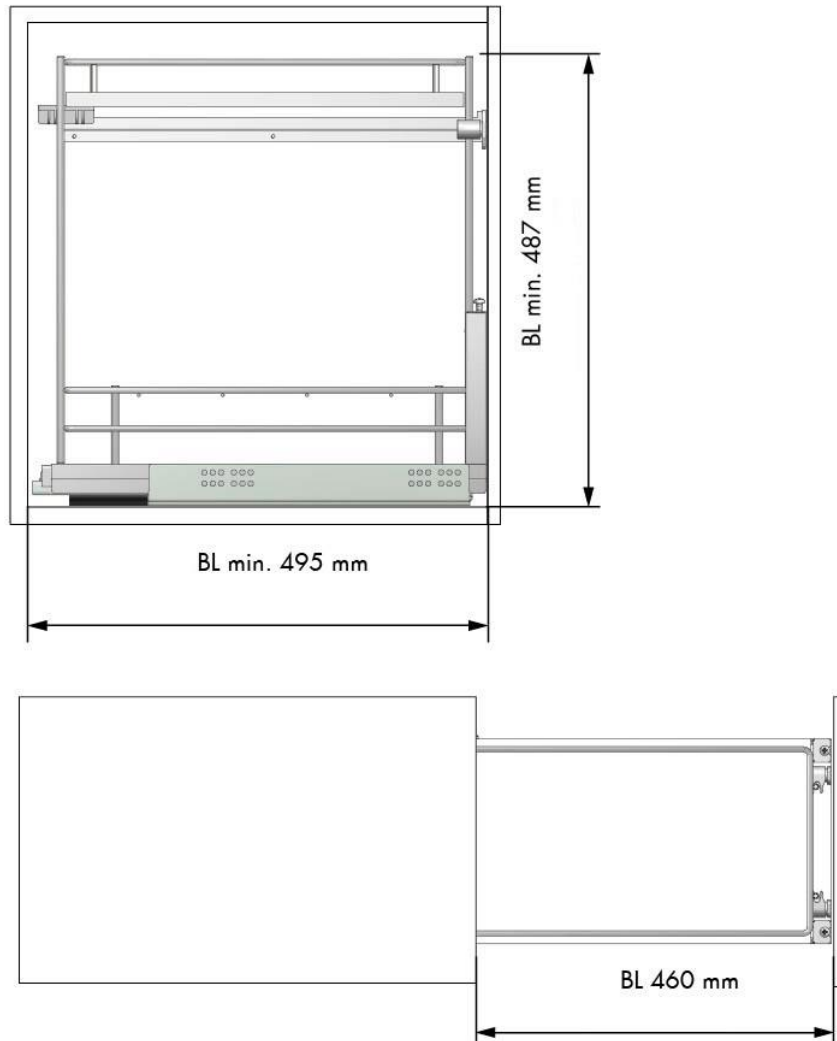
Adjustable for 16 to 19mm cabinet thickness

Made in Spain



| CODE | DESCRIPTION | FRONT | EXTRACTION | DIMENSIONS |
|------------|--|-------|------------|---------------------------|
| 3.47303014 | Pull Out Bottle Side BLUM Runner COMPACT - CHROME | 300 | 460 | 262-268W x 486H x 490L mm |

FLORA: PULL OUT BOTTLE SIDE RUNNERS 300 - COMPACT



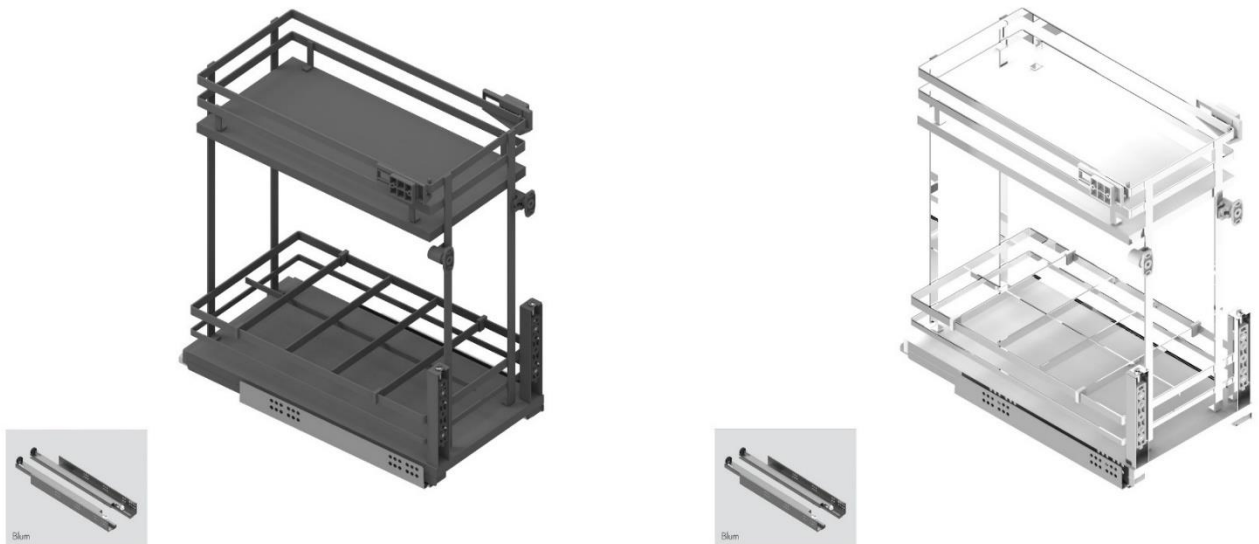
NOVA: PULL OUT BOTTLE SIDE RUNNERS 300 – FLAT WIRE

Supplied with **BLUM Runners**

White Melamine Base, CHROME & ANTHRACITE Steel. Maximum load 30 kg

Adjustable for 16 to 19mm cabinet thickness

Made in Spain



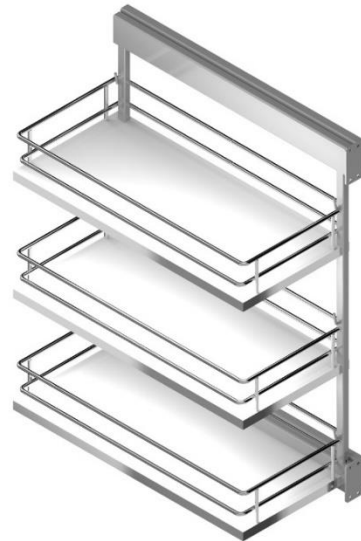
| CODE | DESCRIPTION | FRONT | EXTRACTION | DIMENSIONS |
|------------|--|-------|------------|---------------------------|
| 3.49049014 | FLAT WIRE Pull Out Bottle Side BLUM Runner - CHROME | 300 | 460 | 262-268W x 540H x 490L mm |
| 3.49049007 | FLAT WIRE Pull Out Bottle Side BLUM Runner - ANTHRACITE | 300 | 460 | 262-268W x 540H x 490L mm |

STYLO: PULL OUT FRAME SIDE RUNNERS 300 – COMPACT

White Melamine Base, Chrome Steel, Soft Closing

Maximum load 30 kg

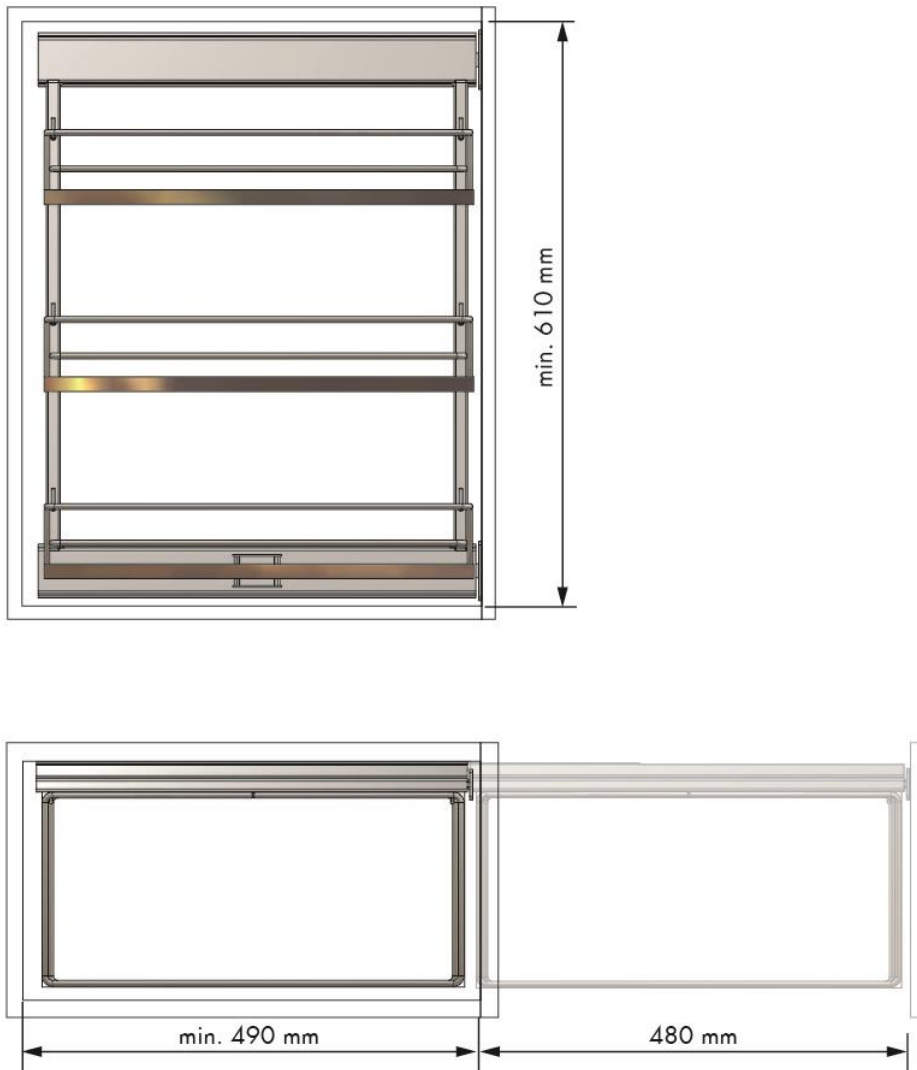
Made in Spain



| CODE | DESCRIPTION | FRONT | EXTRACTION | DIMENSIONS |
|------------|--|-------|------------|--------------------|
| 3.48290014 | Pull Out Frame Side Runner 300 COMPACT - LEFT | 300 | 480 | 256D x 610H x 480L |
| 3.48291014 | Pull Out Frame Side Runner 300 COMPACT – RIGHT | 300 | 480 | 256D x 610H x 480L |

STYLO: PULL OUT FRAME SIDE RUNNERS 300 – COMPACT

TECHNICAL DRAWING

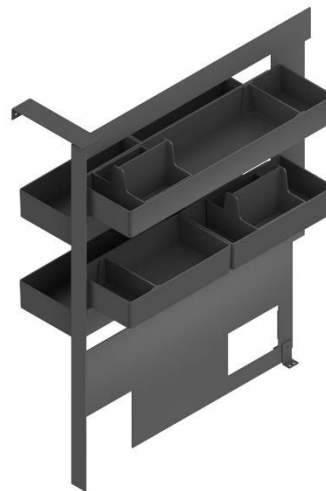


VERONA: 300mm PULL OUT PANTRY FRAME - ANTHRACITE – FLAT WIRE

Anthracite Finish, **Fixing to the bottom of kitchen drawer.**

4 Portable trays and interior organizer accessories are included.

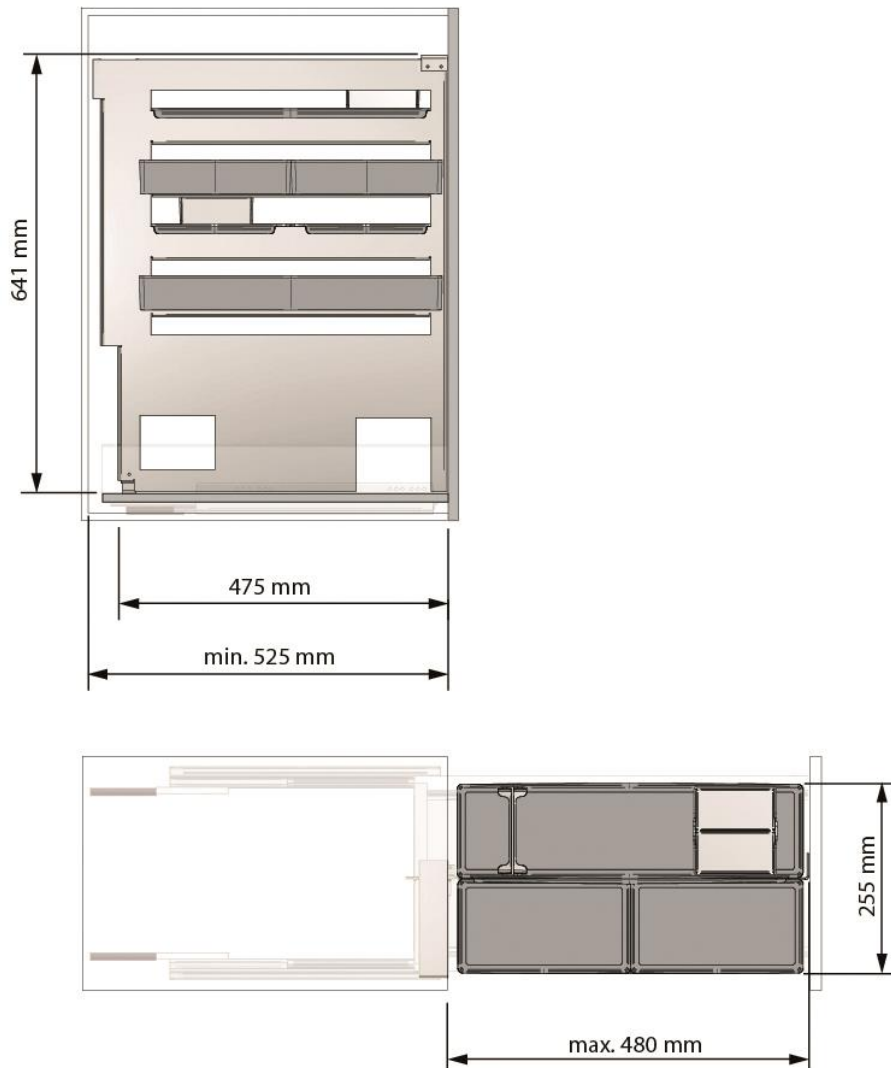
Made in Spain



| CODE | DESCRIPTION | FRONT | EXTRACTION | DIMENSIONS |
|------------|---------------------------------------|-------|------------|--------------------|
| 3.49139007 | Verona: Pull Out Pantry Anthracite | 300 | 480 | 255D x 641H x 516L |

VERONA: 300mm PULL OUT PANTRY FRAME - ANTHRACITE – FLAT WIRE

TECHNICAL DRAWING



LOTUS: 150mm CHROME PULL OUT FRAME – FLAT WIRE

Clip on baskets with CHROME finish and Melamine Base.

Maximum load 70 kg – FLAT WIRE – SOFT CLOSING GRASS Runners

Made in Spain

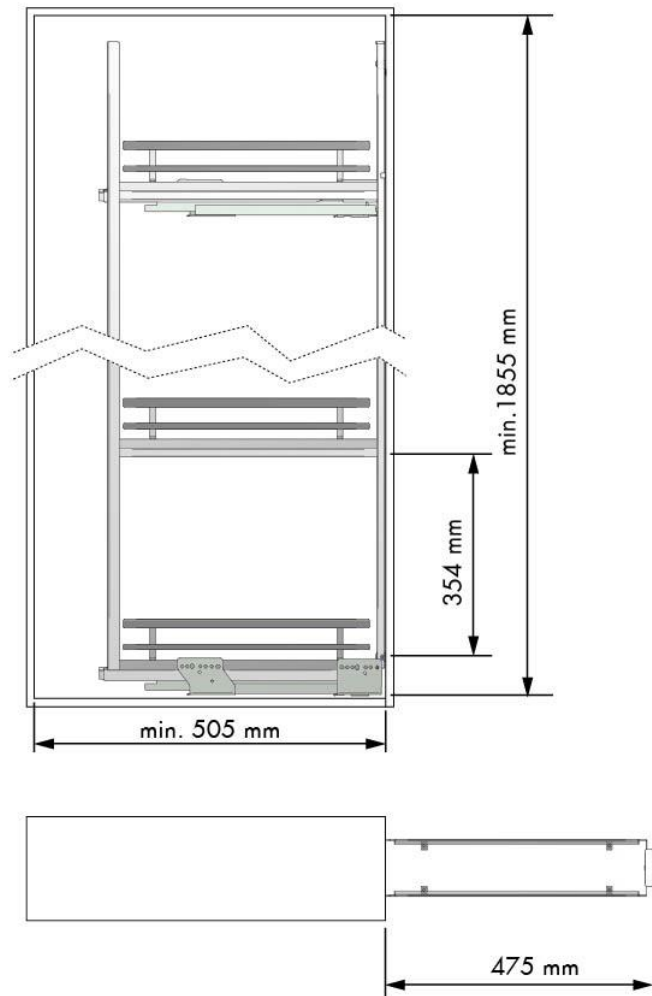


| CODE | DESCRIPTION | BASKETS | CABINET -WIDTH | DIMENSIONS |
|------------|---|---------|-------------------|-------------------------|
| 3.49137014 | Lotus: Pull Out Pantry Flat Wire Chrome – Soft Close GRASS Slides | 5 | 150 | 112-118W x 1850H x 498L |

**** Bottle spacers to be ordered separately**

LOTUS: CHROME PULL OUT FRAME – FLAT WIRE

TECHNICAL DRAWING



ZYLA - ANTHRACITE PULL OUT FRAME – FLAT WIRE

Clip on baskets with ANTHRACITE finish and Melamine Base.

Maximum load 120 kg – FLAT WIRE – SOFT CLOSING

Made in Spain



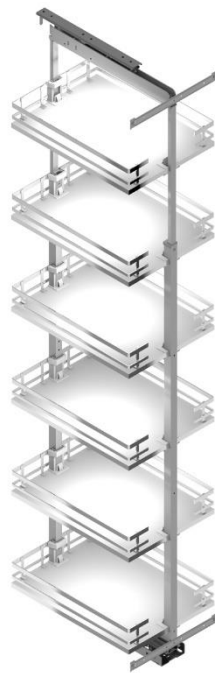
| CODE | DESCRIPTION | BASKETS | CABINET -WIDTH | DIMENSIONS |
|------------|--|---------|-------------------|-----------------------|
| 3.49029007 | Pull Out Frame 400, ANTHRACITE Steel FLAT WIRE | 5 | 400 | 1600-2000 H x 495 L |
| 3.49030007 | Pull Out Frame 400, ANTHRACITE Steel FLAT WIRE | 6 | 400 | 1900 - 2300 H x 495 L |

ZYLA: CHROME PULL OUT FRAME – FLAT WIRE

Clip on baskets with CHROME finish and Melamine Base.

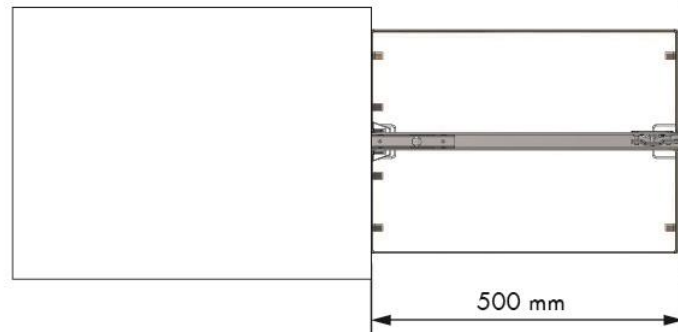
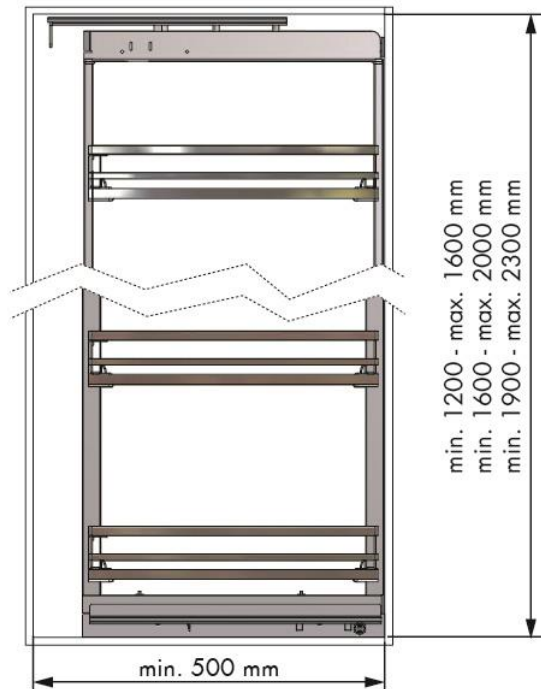
Maximum load 120 kg – FLAT WIRE – SOFT CLOSING

Made in Spain



| CODE | DESCRIPTION | BASKETS | CABINET-WIDTH | DIMENSIONS |
|------------|---|---------|---------------|---------------------|
| 3.49024014 | Pull Out Frame 300/350, CHROME Steel FLAT WIRE | 6 | 300 / 350 | 1900-2300 x 495L |
| 3.49029014 | Pull Out Frame 400, CHROME Steel FLAT WIRE | 5 | 400 | 1600-2000 H x 495 L |
| 3.49030014 | Pull Out Frame 400, CHROME Steel FLAT WIRE | 6 | 400 | 1900-2300 H x 495 L |

PULL OUT FRAME – FLAT WIRE – TECHNICAL DRAWING



TITAN - PULL OUT PANTRY COLUMN ANTHRACITE – FLAT WIRE

Baskets with Melamine base and ANTHRACITE finish – REVERSIBLE & SOFT CLOSING

Maximum load 12Kg each basket, 100 kg interior frame

Made in Spain



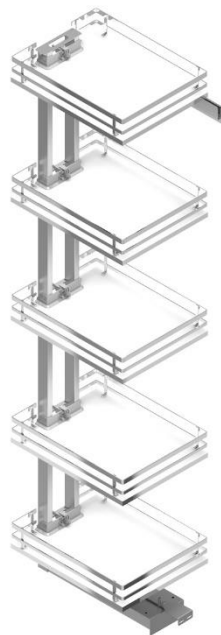
| CODE | DESCRIPTION | BASKETS | CABINET -WIDTH | DIMENSIONS |
|------------|--|---------|-------------------|----------------|
| 3.49040007 | TITAN Pull Out Frame 450, ANTHRACITE Steel FLAT WIRE | 5 | 450 | 1850 H X 498 L |
| 3.49041007 | TITAN Pull Out Frame 600, ANTHRACITE Steel FLAT WIRE | 5 | 600 | 1850 H X 498 L |

TITAN - PULL OUT PANTRY COLUMN WHITE – FLAT WIRE

Baskets with WHITE Melamine base and CHROME finish – REVERSIBLE & SOFT CLOSING

Maximum load 12Kg each basket, 100 kg interior frame

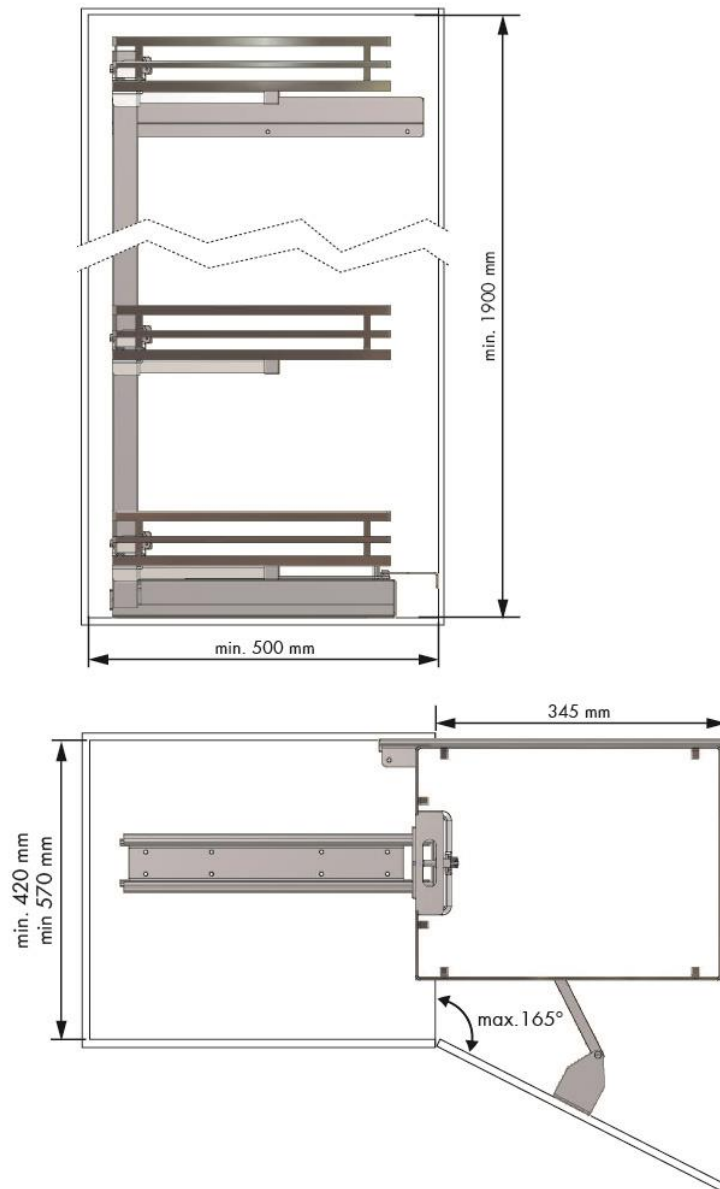
Made in Spain



| CODE | DESCRIPTION | BASKETS | CABINET -WIDTH | DIMENSIONS |
|------------|--|---------|-------------------|----------------|
| 3.49040014 | TITAN Pull Out Frame 450, CHROME Steel FLAT WIRE | 5 | 450 | 1850 H X 498 L |
| 3.49041014 | TITAN Pull Out Frame 600, CHROME Steel FLAT WIRE | 5 | 600 | 1850 H X 498 L |

TITAN - PULL OUT PANTRY COLUMN – FLAT WIRE

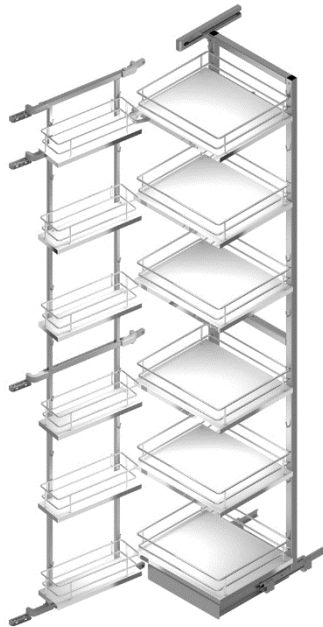
TECHNICAL DRAWING:



ZULO - PULL OUT PANTRY COLUMN COMPACT – ROUND WIRE

Baskets with WHITE Melamine base and CHROME finish – REVERSIBLE & SOFT CLOSING

Maximum load 20Kg each basket, 80 kg interior frame



| CODE | DESCRIPTION | BASKETS | CABINET -WIDTH | DIMENSIONS |
|------------|--|---------|-------------------|----------------|
| 3.48287014 | ZULO: 5 Baskets Pull Out Frame White CHROME , Melamine Base | 5-5 | 600 | 1470 H X 495 L |
| 3.48288014 | ZULO: 6 Baskets Pull Out Frame White CHROME , Melamine Base | 6-6 | 600 | 1870 H X 495 L |

ZULO - PULL OUT PANTRY COLUMN COMPACT – ROUND WIRE

TECHNICAL DRAWING:

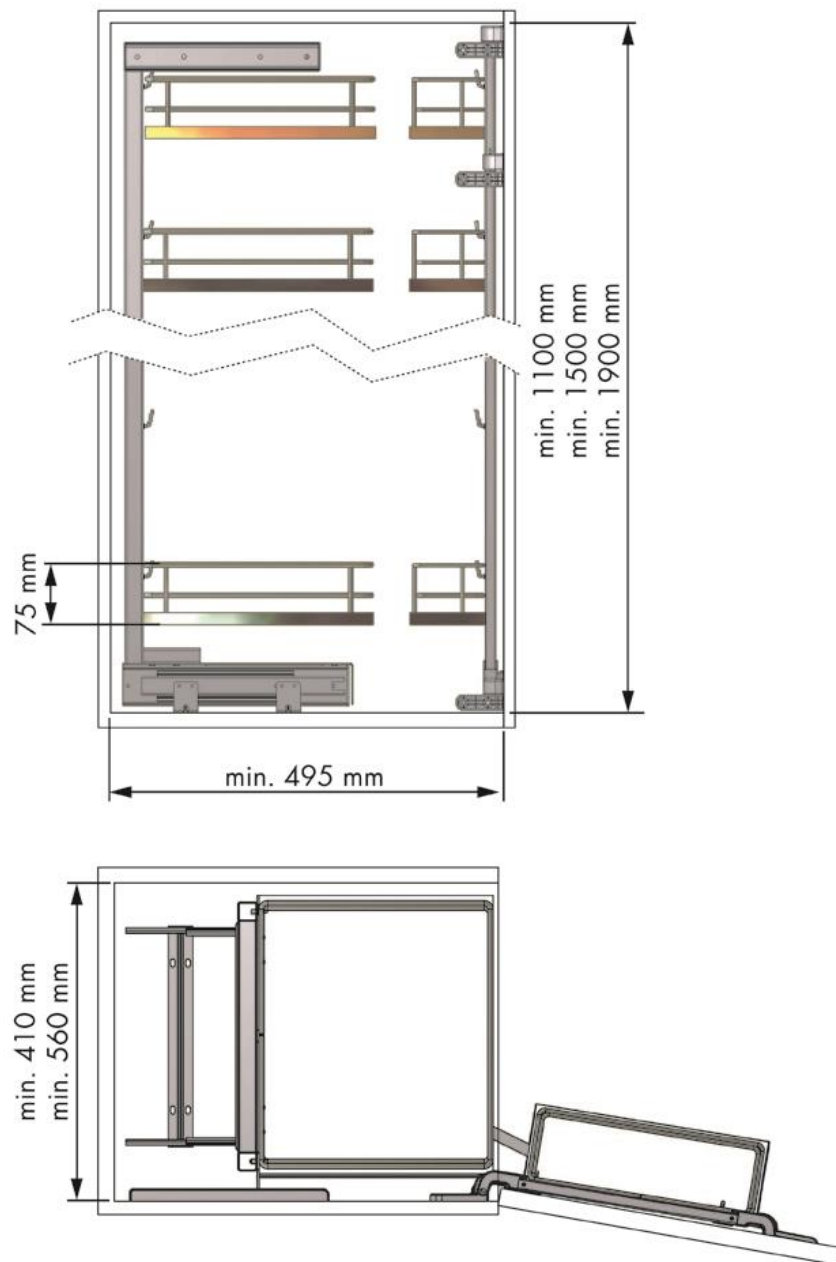


FIGURE – 200mm PULL OUT PANTRY SIDE RUNNERS – FLAT WIRE

Melamine Pull out Pantry with – side runners – FLAT Wire.

Reversible and removable trays with Soft Closing Runners.

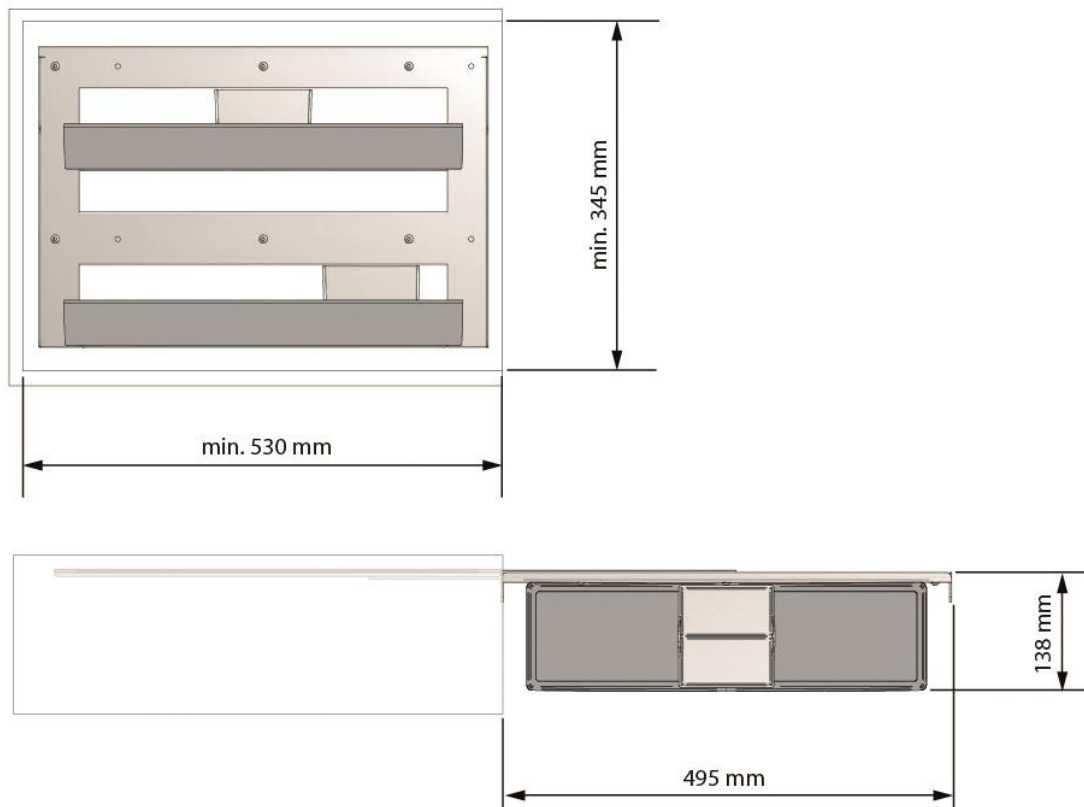
Maximum Load 15 Kgs



| CODE | DESCRIPTION | Front | Hand Side | DIMENSIONS |
|------------|--------------------------------|-------|------------|--------------------|
| 3.49140007 | FIGURE – 200mm Pull Out Pantry | 200 | Reversible | 138D x 334H x 506L |

FIORE – 200mm PULL OUT PANTRY SIDE RUNNERS – FLAT WIRE

TECHNICAL DRAWING:



SOLO – 300mm PULL OUT CLEANING BASKET -ANTHRACITE – FLAT WIRE

Pull out cleaning baskets with – side runners – FLAT Wire.

Bottom fixing runners with Soft Closing. Finish: Anthracite

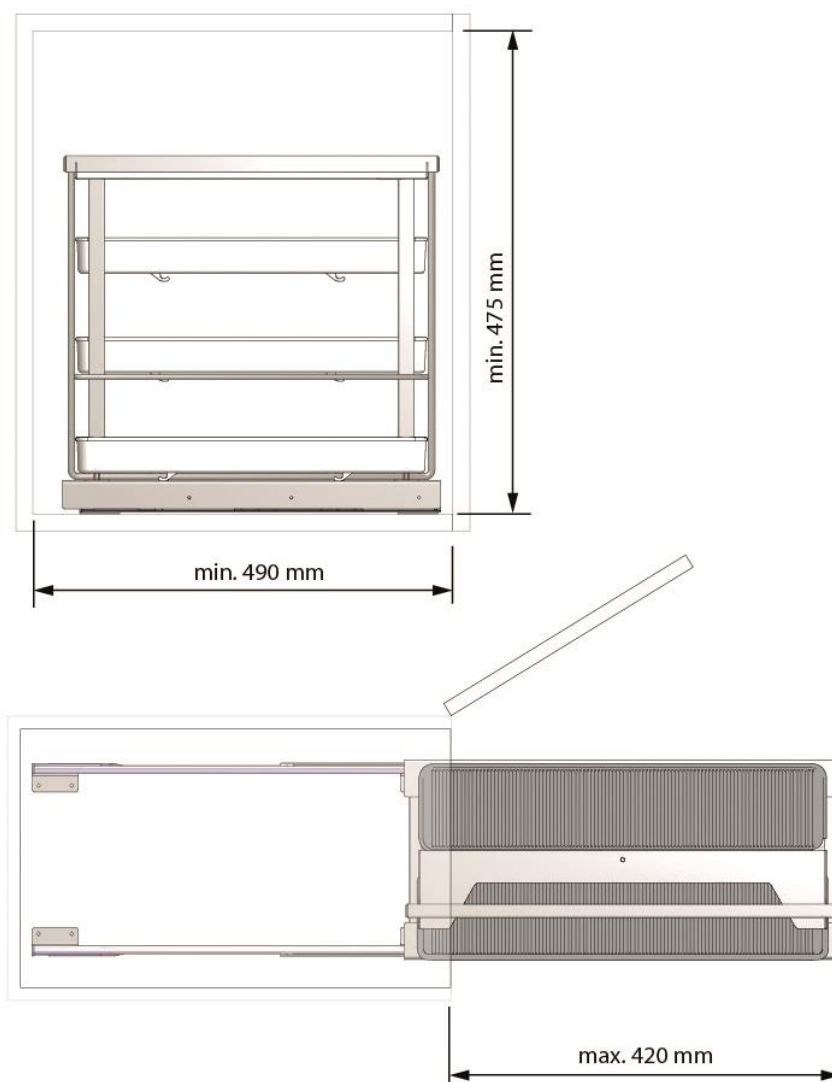
Maximum Load 20 Kgs



| CODE | DESCRIPTION | Front | DIMENSIONS |
|------------|---|-------|--------------------|
| 3.49115007 | SOLO – 300mm Pull Out Cleaning Basket- ANTHRACITE | 300 | 218D x 448H x 478L |

SOLO – 300mm PULL OUT CLEANING BASKET – FLAT WIRE

TECHNICAL DRAWING:



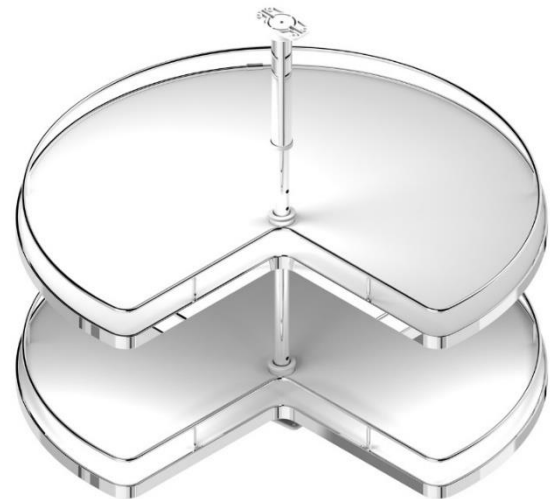
CORNER STORAGE SOLUTIONS >>

BELARINA: 270° SWIVEL BASKET COMPACT - MELAMINE

With white melamine base and brake-system.

Maximum load 20 kg each basket.

Made in Spain



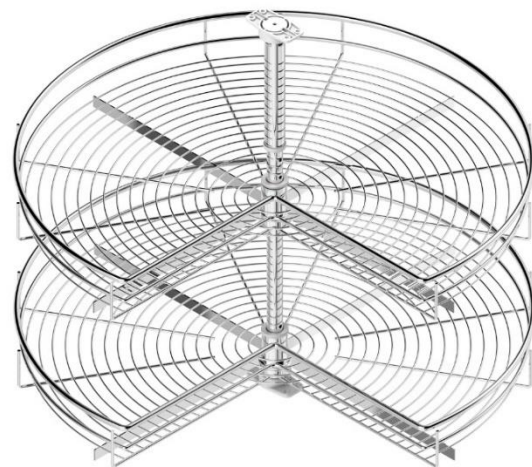
| CODE | DESCRIPTION | HIGH | DIA | DIMENSIONS |
|------------|----------------------------|---------|-----|-------------------|
| 3.48009014 | 270° SWIVEL BASKET COMPACT | 630-730 | 810 | 810W X 630...730H |

BELARINA WIRE: 270° SWIVEL BASKET CLASSIC – WIRE BASE

Chrome wire base and brake-system.

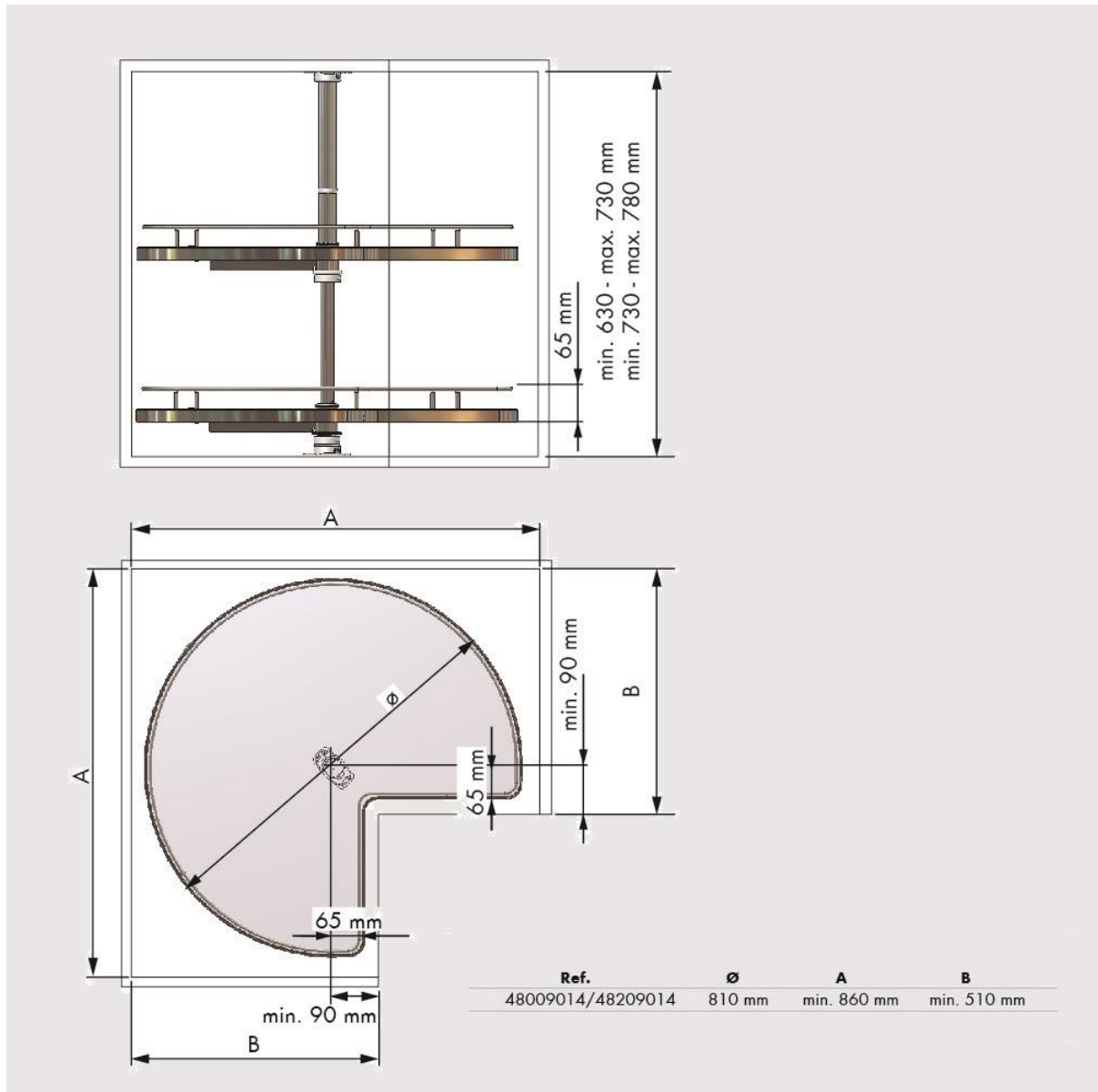
Maximum load 20 kg each basket.

Made in Spain



| CODE | DESCRIPTION | HIGH | DIA | DIMENSIONS |
|------------|--|---------|-----|-------------------|
| 3.38064014 | 270° SWIVEL BASKET CLASSIC – WIRE BASE | 630-730 | 820 | 820W X 630...730H |
| 3.38341014 | 270° SWIVEL BASKET CLASSIC – WIRE BASE | 730-780 | 820 | 820W X 730...830H |

BELARINA WIRE: 270° SWIVEL BASKET CLASSIC – WIRE BASE



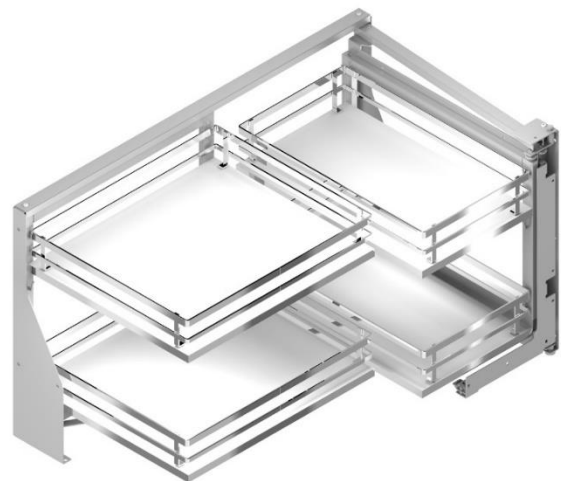
PRISMA: MAGIC CORNER: ARTICULATED PULL OUT FRAME – FLAT WIRE

White Melamine Base, Soft Closing and Flat wire.

Available in ANTHRACITE & CHROME Steel.

Maximum load 9.5 kg interior basket, 8 kg front basket

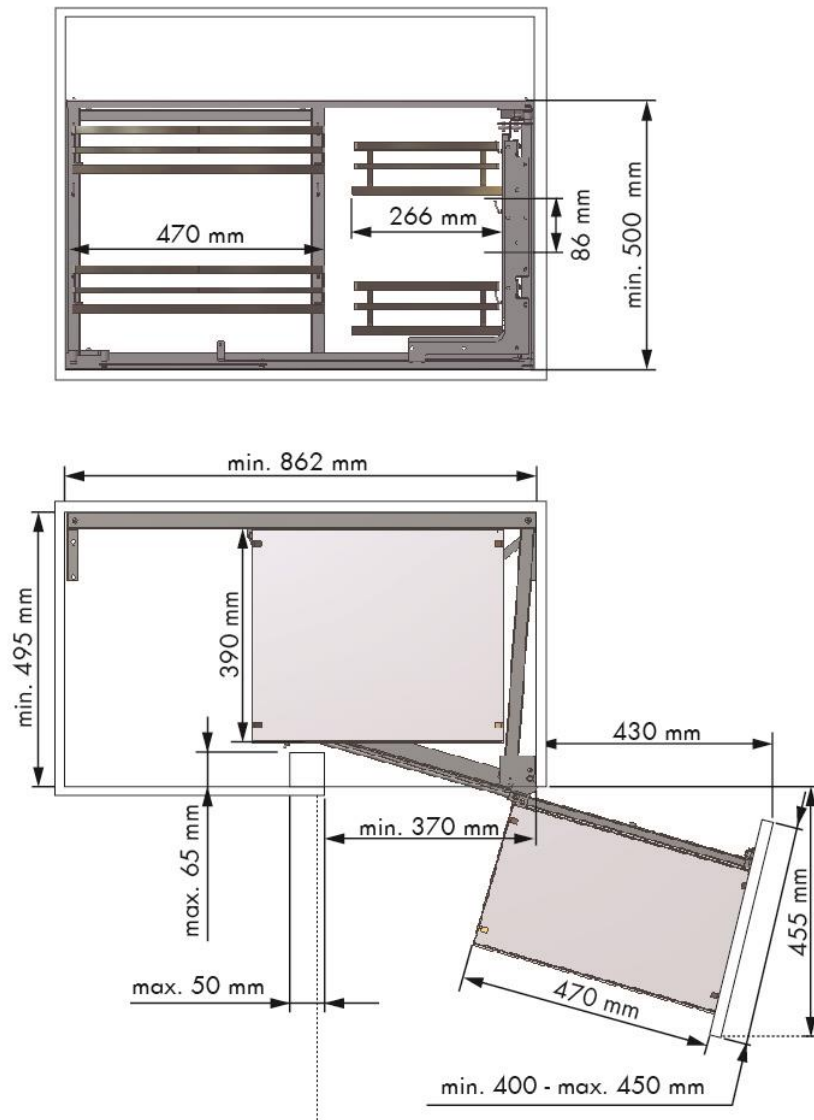
Made in Spain



Cabinet width = 400-450mm

| CODE | DESCRIPTION | HAND-SIDE | DIMENSIONS |
|------------|--|-----------|-----------------------|
| 3.49014014 | PRISMA: Articulated Pull Out Frame FLAT Wire CHROME | RIGHT | 860W x 500H x 495H mm |
| 3.49014007 | PRISMA: Articulated Pull Out Frame FLAT Wire ANTHRACITE | RIGHT | 860W x 500H x 495H mm |
| 3.49015014 | PRISMA: Articulated Pull Out Frame FLAT Wire CHROME | LEFT | 860W x 500H x 495H mm |
| 3.49015007 | PRISMA: Articulated Pull Out Frame FLAT Wire ANTHRACITE | LEFT | 860W x 500H x 495H mm |

PRISMA: MAGIC CORNER: ARTICULATED PULL OUT FRAME – FLAT WIRE



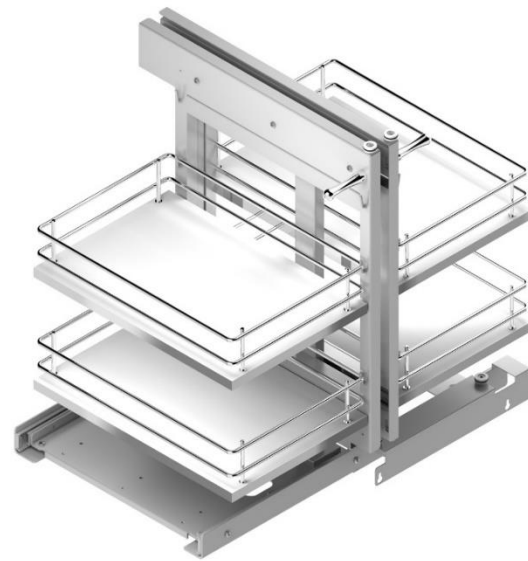
**DIOLO: MAGIC CORNER: ARTICULATED PULL OUT FRAME – COMPACT –
ROUND WIRE**

White Melamine Base, Soft Closing. REVERSIBLE

Available in CHROME Steel.

Maximum load 8 kg per basket

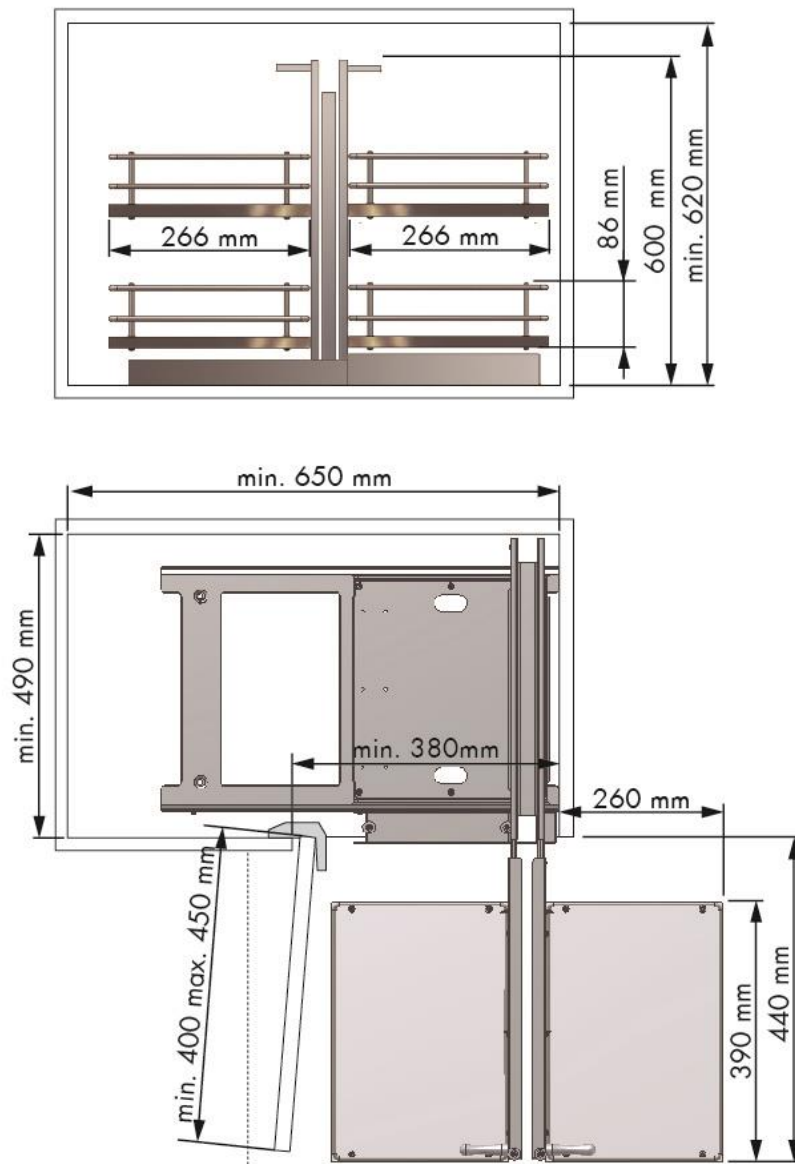
Made in Spain



Cabinet width = 400-450mm

| CODE | DESCRIPTION | HAND-SIDE | DIMENSIONS |
|------------|--|------------|-----------------------|
| 3.45201014 | PRISMA: Articulated Pull Out Frame FLAT Wire CHROME | REVERSIBLE | 650W x 620H x 490H mm |

**DIOLO: MAGIC CORNER: ARTICULATED PULL OUT FRAME – COMPACT –
ROUND WIRE**



DOLPHIN SLIDING PULL - OUT – FLAT WIRE

WHITE & ANTHRACITE Melamine Base. With Easy Opening and Soft Closing

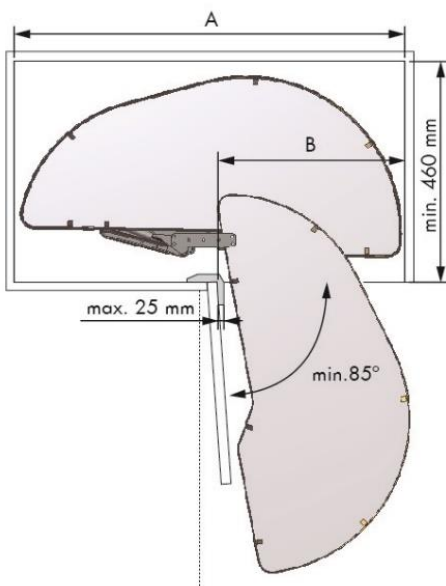
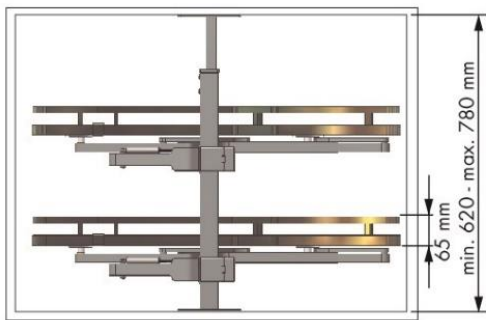
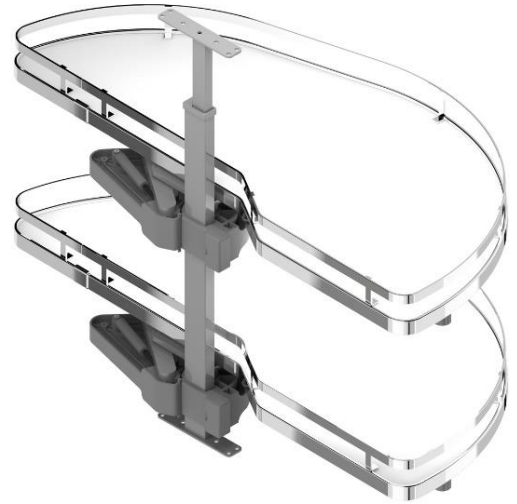
Maximum load 20 kg each basket – FLAT WIRE

Made in Spain



| CODE | DESCRIPTION | HAND-SIDE | DIMENSIONS |
|------------|---|-----------|------------|
| 3.49008014 | DOLPHIN Slide Pull Out 450, CHROME Steel Flat Wire | RIGHT | 620-780H |
| 3.49009014 | DOLPHIN Slide Pull Out 450, CHROME Steel Flat Wire | LEFT | 620-780H |
| 3.49008007 | DOLPHIN Slide Pull Out 450, ANTHRACITE Steel Flat Wire | RIGHT | 620-780H |
| 3.49009007 | DOLPHIN Slide Pull Out 450, ANTHRACITE Steel Flat Wire | LEFT | 620-780H |

DOLPHIN SLIDING PULL - OUT – FLAT WIRE



| F | A | B |
|-----|-------------|-------------|
| 450 | min. 860 mm | min. 410 mm |

TEA TOWEL PULL OUT >>

ALUMINIUM PULL-OUT TEA-TOWEL – NON-SLIP

Non-slip profile and attractive styling in extruded aluminum.
Travels on rolling mechanisms.

Made in Italy

Can be mounted on right or left.



| CODE | DESCRIPTION | DIMENSIONS |
|-----------|-----------------------------------|------------------|
| 3.447.450 | Aluminium Pull Out Tea Towel Rail | 155W x 450Dx 35H |

6. GENERAL HARDWARE

| | |
|--|------|
| 6. GENERAL HARDWARE | 6-1 |
| <i>Abrasives >></i> | 6-2 |
| Sanding Belts | 6-3 |
| Sand Paper Rolls | 6-3 |
| <i>Adjustable height Legs & Fixing Blocks >></i> | 6-3 |
| Adjustable Legs | 6-3 |
| Fixing Blocks | 6-3 |
| <i>Bump Ons</i> | 6-3 |
| <i>Catches >></i> | 6-4 |
| Corna Support Catch for Bi-Fold Corner Unit | 6-4 |
| Corna Slide Door Protector | 6-4 |
| Zipbolt Daisy Catch | 6-4 |
| <i>Furniture Glides >></i> | 6-5 |
| Glides Nail-On | 6-5 |
| <i>Safety Gear >></i> | 6-5 |
| Dust Mask – General Purpose | 6-5 |
| <i>Shelf Supports >></i> | 6-5 |
| Cable Entry Caps | 6-6 |
| <i>Tapes >></i> | 6-6 |
| <i>Masking Tape</i> | 6-6 |
| Duct Tape | 6-6 |
| <i>Tools & Accessories >></i> | 6-7 |
| Drill Bits | 6-7 |
| Drilling Jig | 6-7 |
| Magnetic Driver Bits | 6-9 |
| Magnetic Drive Bit Holder | 6-8 |
| Zipbolt Hex Driver 5 x 50 mm | 6-9 |
| Zipbolt Ratchet Driver | 6-9 |
| Snappy Quick Chuck | 6-9 |
| Trend Snappy Drill Countersink with Adjustable HSS Drill | 6-10 |
| Wood Hole Saw - Tornado | 6-10 |
| Jig Saw Blades – Sutton | 6-11 |
| <i>Touch Up Furniture Repair >></i> | 6-11 |
| Liquid Laminates | 6-11 |
| Furniture Repair Crayons | 6-11 |
| <i>Wardrobe Fittings >></i> | 6-12 |
| Hang Rails | 6-12 |
| Hang Rail Supports | 6-12 |
| <i>Waste Access Cover Plates >></i> | 6-13 |

White Rags Bag.....6-13

Abrasives >>

Sanding Belts

| CODE | DESCRIPTION |
|----------|-----------------------------------|
| 490.6060 | Sanding Belt 100 x 610mm 60 Grit |
| 490.6080 | Sanding Belt 100 x 610mm 80 Grit |
| 490.6100 | Sanding Belt 100 x 610mm 100 Grit |
| 490.6120 | Sanding Belt 100 x 610mm 120 Grit |



Sand Paper Rolls

| CODE | DESCRIPTION |
|----------|--|
| 490.7082 | Sand Paper Roll 115mm x 50m 80 Grit –Red |
| 490.7122 | Sand Paper Roll 115mm x 50m 120 Grit – Red |
| 490.7241 | Sand Paper Roll 115mm x 50m 240 Grit – White |



Adjustable height Legs & Fixing Blocks >>

Adjustable Legs

| CODE | DESCRIPTION |
|------------|-------------------------------|
| 491.090170 | Adjustable Leg Black 90-170mm |

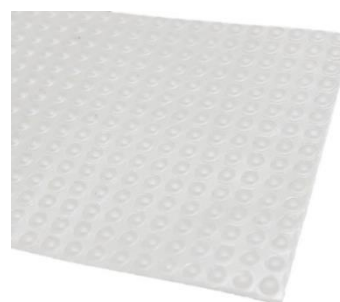
Fixing Blocks

| CODE | DESCRIPTION |
|----------|----------------------------------|
| 491.SOB | Screw On Base for Adjustable Leg |
| 491.CLIP | Plinth Clip |



Bump Ons

| CODE | DESCRIPTION |
|----------|-----------------------------------|
| 474.0455 | Bump Ons 8 x 2.2mm – 100 per card |
| 474.0455 | Bump Ons 10 x 3mm – 100 per card |



Made in Italy

Catches >>

Corna Support Catch for Bi-Fold Corner Unit - Side Mount

| CODE | DESCRIPTION |
|----------|--------------------------|
| 472.0450 | Side Mount Support Catch |



The Side Mount Support Catch is for standard 2 door corner units.

Corna Support Catch for Bi-Fold Corner Unit - -Top Mount

| CODE | DESCRIPTION |
|----------|-------------------------|
| 472.0455 | Top Mount Support Catch |



The catch keeper has a 5mm/ 7/32" diameter pin which locates into a system 32 hole directly behind the location of door handle but towards the top of the door on overhead cupboards.

Corna Slide Door Protector

| CODE | DESCRIPTION |
|----------|----------------------|
| 472.0460 | Slide Door Protector |



Zipbolt Daisy Catch Side-Mount

Daisy Catch is a one piece corner or bi-fold door solution for protecting adjacent door & maintaining door gap

| CODE | DESCRIPTION |
|------------|------------------------|
| 472.20.100 | Daisy Catch Side-Mount |



Zipbolt Daisy Catch In-Line

| CODE | DESCRIPTION |
|------------|---------------------|
| 472.20.200 | Daisy Catch In-Line |



Furniture Glides >>

Glides Nail-On

| CODE | DESCRIPTION |
|----------|--|
| 480.0161 | Nail-On Furniture Glide 16mm Dia - White |
| 480.0191 | Nail-On Furniture Glide 19mm Dia - White |



Safety Gear >>

Dust Mask – General Purpose



| CODE | DESCRIPTION |
|----------|----------------------------------|
| 498.0000 | Dust Mask General Purpose 50/box |

Shelf Supports >>

Shelf Support – Clear

| CODE | DESCRIPTION |
|----------|------------------------------|
| 475.0100 | Shelf Support Clear 1000/Box |



Shelf Support – White

| CODE | DESCRIPTION |
|----------|------------------------------|
| 475.0110 | Shelf Support White 1000/Box |



Shelf Support D Metal

| CODE | DESCRIPTION |
|-----------|---|
| 475.0519 | Shelf Support D – M5 x 19mm 1000/Box |
| 475.0724 | Shelf Support D – M7 x 24mm 500/Box |
| 475.0724S | Sleeve for M7 x 24mm Shelf Support 1000/Box |



Cable Entry Caps >>

Cable Entry Caps

| CODE | DESCRIPTION |
|----------|-------------------------------|
| 480.1601 | Cable Entry Cap - White 60mm |
| 480.1801 | Cable Entry Cap - White 80mm |
| 480.1604 | Cable Entry Cap -. Black 60mm |



Tapes >>

Masking Tape

| CODE | DESCRIPTION |
|----------|-------------------------|
| 495.1850 | Masking Tape 18mm x 50m |
| 495.2450 | Masking Tape 24mm x 50m |
| 495.3650 | Masking Tape 36mm x 50m |
| 495.4850 | Masking Tape 48mm x 50m |



Duct Tape

| CODE | DESCRIPTION |
|----------|----------------------|
| 496.4830 | Duct Tape 48mm x 30m |



Tools & Accessories >>

Drill Bits

JOBBER TWIST DRILL

Evacut HSS Jobber Drill Bulk Pack contains 10x general purpose silver drill bits designed for machine and handheld drilling. They are suitable for drilling metal, wood and plastic.

FEATURES:

118° Standard Point, common point for general purpose applications

Precision engineered parallel shank for accurate hole size

Constructed from M2 high speed steel offering the best combination of strength, heat & wear resistance

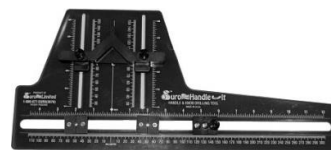
| CODE | DESCRIPTION |
|----------|---------------------------|
| 488.0020 | 2.0mm HSS Drill Bit 10/Pk |
| 488.0025 | 2.5mm HSS Drill Bit 10/Pk |
| 488.1018 | 1/8" HSS Drill Bit 10/Pk |
| 488.1764 | 7/64" HSS Drill Bit 10/Pk |



| CODE | DESCRIPTION |
|----------|--|
| 488.4382 | Impact HSS Drill Bit 3mm Dia x 82mm 5/Blister Pk |
| 488.5107 | Impact HSS Drill Bit 5mm Dia x 107mm 5/Blister Pk |



Drilling Jig



| CODE | DESCRIPTION |
|----------|------------------|
| 499.9992 | Handle Drill jig |

Tools & Accessories >>

Magnetic Driver Bits

A heavy-duty power tool accessory designed to use with impact driver. Forged tip fits screw head precisely. Unique reduced shank torsion zone withstands higher continuous loads and higher torque angles at peak loads of impact driver. PH2 Phillips drive and PZ2 Pozi drive available in 25mm and 50mm lengths.

Magnetic *Impact Resistant* Bits

| CODE | DESCRIPTION |
|----------|---|
| 486.2251 | PH2 X 25mm Impact Resistant Bit 10/Blister <i>Phillips Drive</i> |
| 486.2501 | PH2 X 50mm Impact Resistant Bit 10/Blister <i>Phillips Drive</i> |



Magnetic *Torsion Art* Bits

| CODE | DESCRIPTION |
|----------|--|
| 486.3251 | PH2 x 25mm Torsion Art Bit 10/Blister <i>Phillips Drive</i> |
| 486.3501 | PH2 x 50 Torsion Art Bit 10/Blister <i>Phillips Drive</i> |



Magnetic *Impact Resistant* Bits

| CODE | DESCRIPTION |
|----------|---|
| 486.2252 | PZ2 X 25mm Impact Resistant Bit 10/Blister <i>Pozi Drive</i> |
| 486.2502 | PZ2 X 50mm Impact Resistant Bit 10/Blister <i>Pozi Drive</i> |



Magnetic *Torsion Art* Bits

| CODE | DESCRIPTION |
|----------|--|
| 486.3252 | PZ2 x 25mm Torsion Art Bit 10/Blister <i>Pozi Drive</i> |
| 486.3502 | PZ2 x 50 Torsion Art Bit 10/Blister <i>Pozi Drive</i> |



Tools & Accessories >>

Magnetic Drive Bit Holder

Description

Magnetic holder for 25mm insert bits.

Quick and easy to use.

D=9.4 mm

Overall length=58 mm

Shank Length=1/4 inch hex



| CODE | DESCRIPTION |
|----------|---------------------------------|
| 486.4558 | Snappy 25mm Bit Magnetic Holder |

Zipbolt Hex Driver 5 x 50 mm



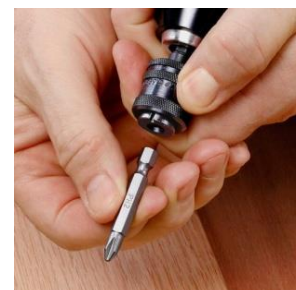
| CODE | DESCRIPTION |
|------------|-----------------------------|
| 486.40.410 | Zipbolt Hex Driver 5 x 50mm |

Zipbolt Ratchet Driver



| CODE | DESCRIPTION |
|-----------|-----------------------|
| 489.40300 | Ratchet Driver 40.300 |

Snappy Quick Chuck



| CODE | DESCRIPTION |
|-----------|--|
| 489.40011 | Snappy Quick Chuck with Knurled Sleeve |

Tools & Accessories >>

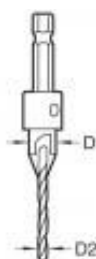
Trend Snappy Drill Countersink with Adjustable HSS Drill

Tungsten carbide tipped version of the popular Trend Snappy drill countersink with adjustable HSS drill.

Shank Diameter 1/8"

Screw size: No. 10 / Softwood

.No. 8 / Hardwood



| CODE | DESCRIPTION | DIMENSION |
|----------|-------------------------------------|----------------------------------|
| 489.2073 | Snappy Countersink Tool CSK 1/8 | D=3/8 (9.5mm) D2=1/8 (3.25mm) |
| 489.2074 | Snappy TCT Countersink Tool CSK 1/8 | D=3/8 (9.5mm) D2=1/8 (3.25mm) |

NOTE:

This tool can be used in abrasive materials such as laminated chipboard. The drills produce pilot holes only.

Wood Hole Saw - Lancaster

FEATURES

- M42 grade steel hole saws
- 8% Cobalt
- Variable pitch
- Industrial quality
- Suitable for wood, plastics, cast iron, brass, stainless steel, bronze, aluminium, MDF, particle board, mild steel and more

| CODE | DIAMETER (mm) |
|----------|---------------|
| 487.0340 | 40 |
| 487.0344 | 44 |
| 487.0351 | 55 |
| 487.0454 | 54 |
| 487.0460 | 60 |
| 487.0464 | 64 |
| 487.0479 | 79 |



Jig Saw Blades – Sutton

SUPPLIED AS A 5 PACK

| CODE | DESCRIPTION | SUTTON | BOSCH |
|----------|---|--------|--------|
| 485.8001 | JIGSAW BLADE H405 2.5 Pitch 5 Pk Wood Clean Cut Euro | 8001 | T101B |
| 485.8002 | JIGSAW BLADE H405 4.0 Pitch 5 Pk Wood Clean/Fast Cut Euro | 8002 | T101D |
| 485.8003 | JIGSAW BLADE H405 4.0 Pitch 5 Pk Wood Rough/Fast Cut Euro | 8003 | T111C |
| 485.8006 | JIGSAW BLADE H405 4.0 Pitch 5 Pk Wood Fast Cut Euro | 8006 | T144D |
| 485.8018 | JIGSAW BLADE H405 2.5 Pitch 5 Pk Wood Down Cut Euro | 8018 | T101BR |



Touch Up Furniture Repair >>

Liquid Laminates

Acrylic Liquid Laminate is a touch up product ideal for the repair of small chips and imperfections in melamine board and laminates. Available in a huge range of colours, each bottle is 15ml.

| CODE | COLOUR | QTY |
|--------------|---------------|------|
| 470.015.WH | White | 15ml |
| 470.015.AW | Antique White | 15ml |
| 470.015.BK | Black | 15ml |
| 470.015.CLBG | Classic Beige | 15ml |
| 470.015.CLBE | Classic Beach | 15ml |
| 470.015.VELV | Velveteen | 15ml |
| 470.015.ALAB | Alabaster | 15ml |
| 470.015.PARC | Parchment | 15ml |
| 470.015.STSE | Stipple Seal | 15ml |



Note: Other colours are available by special order

Furniture Repair Crayons

| CODE | COLOUR | BOX SIZE |
|-------------|---------------|----------|
| 468.12.WH | White | 12 |
| 468.12.BK | Black | 12 |
| 468.12.AW | Antique White | 12 |
| 468.12.PARC | Parchment | 12 |
| 468.12.TSOK | Tasmanian Oak | 12 |

Note: Sold as a box quantity



Wardrobe Fittings >>

Hang Rails



25mm Diameter Chrome



30x15mm Oval Chrome



30x15mm Oval Anodised

| CODE | DESCRIPTION |
|----------|--|
| 483.0251 | Wardrobe Rail Round Chrome - 25mm x 3.0m |
| 483.0301 | Wardrobe Rail Oval Chrome - 30 x 15mm x 3.0m |
| 483.0302 | Wardrobe Rail Oval Anodized Aluminium – 30 x 15mm x 3.0m |

Hang Rail Supports



End Pillar
Round Rail



Centre Pillar
Round Rail



End Flange
Round Rail



Centre Pillar
Oval Rail



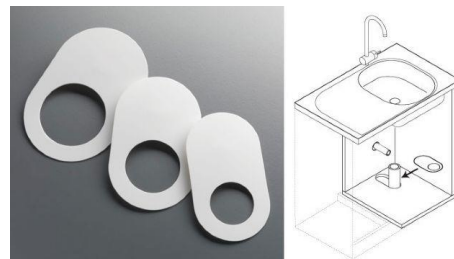
End Support
Oval Rail

| CODE | DESCRIPTION |
|----------|---------------------------------------|
| 484.1251 | Round End Pillar Chrome - 25mm |
| 484.2251 | Round Centre Pillar Chrome - 25mm |
| 484.3251 | Round End Flange Chrome 25mm |
| 484.2301 | Oval Centre Pillar Chrome - 30 x 15mm |
| 484.1301 | Oval End Flange Chrome - 30 x 15mm |
| 484.2401 | Adjustable end Pillar for Oval Rail |
| 484.2302 | Adjustable Centre Pill for Oval Rail |

Waste Access Cover Plates >>

Corna Waste Access Cover Plates

| CODE | DESCRIPTION |
|----------|---|
| 473.0040 | SP40 Waste Access Cover Plate-79x140 Dia45.5 10/pack |
| 473.0050 | SP45 Waste Access Cover Plate-93x147 Dia57.5 10/pack |
| 473.0065 | SP65 Waste Access Cover Plate-107x160 Dia61.5 10/pack |



Corna Blank Sheet

| CODE | DESCRIPTION |
|----------|------------------------------------|
| 473.0300 | BS300 Blank Sheet 297x210mm 5/pack |



White Rags

| CODE | DESCRIPTION |
|----------|---|
| 499.0300 | No.1 White Rags 10Kg /bag |
| 499.0301 | No. 8 Pure White Cotton Rags 10Kg / bag |



7. BELLE ROLLER DOORS

Belle – ROLLER DOORS for Cabinets

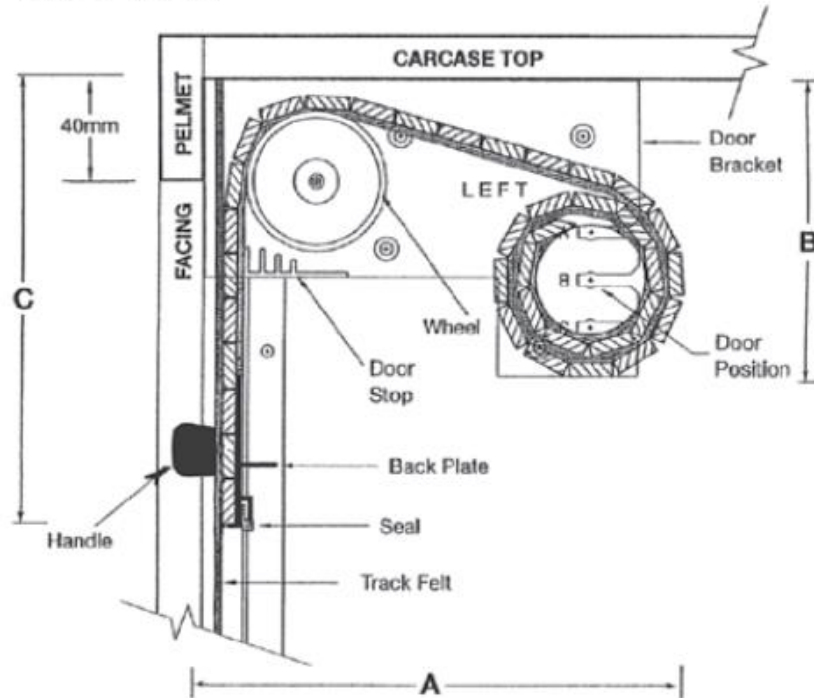


FEATURES:

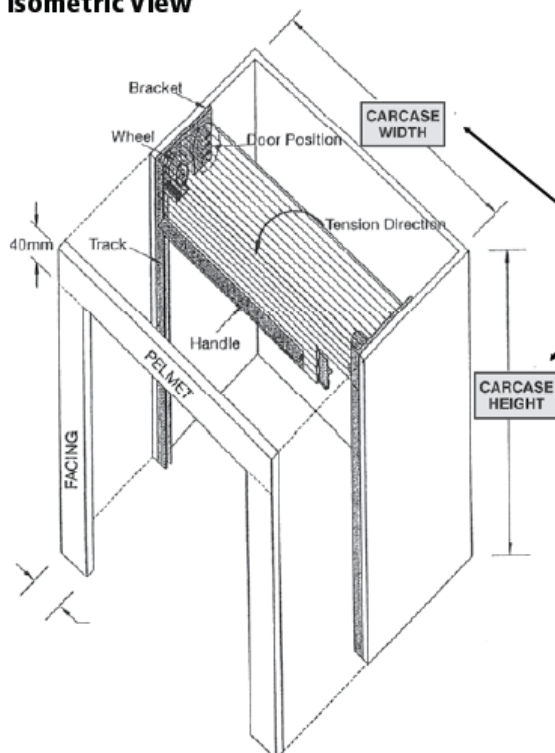
1. Ideal for all storage needs.
2. The door glides open. Unlike hinged or bi-fold doors the entire space in front of the door can be used.
3. Appliances are ready to use and out of sight when not in use.
4. The closed door gives an elegant streamlined appearance.
5. Belle Roller Doors are available in a wide range of laminates, vinyls and timbers or MDF.
6. Doors can be made to any size up to 2mx2m.
7. Locks can be fitted to provide security for study and office cupboards.
8. An electric motor can be fitted to operate the door manually at the flick of button or via remote control.
9. Applications around the house and office are only limited by your imagination.

Belle – ROLLER DOORS for Cabinets

Side View



Isometric View



TO ORDER
Supply **INTERNAL CARCASE**
HEIGHT and WIDTH measurements

DIMENSION CHART (REFER SIDE VIEW)

| Height | A | B |
|-------------|-----|-----|
| < 601 | 190 | 110 |
| 601 - 900 | 200 | 130 |
| 901 - 1200 | 210 | 140 |
| 1201 - 1500 | 215 | 155 |
| 1501 - 1800 | 220 | 170 |
| 1801 - 2100 | 225 | 180 |

- NOTE**
1. DIMENSION C equals 100 mm when the door is fully opened.
 2. Add 50 mm to DIMENSION A for making installation easier.

8. FASTENERS & FIXINGS

| | |
|---|------|
| 8. <i>FASTENERS & FIXINGS</i> | 8-1 |
| <i>Screws >></i> | 8-2 |
| Chipboard Screws CSK Head with 4 Nibs PHILLIPS | 8-2 |
| Particleboard Screws CSK Head Long Thread PHILLIPS | 8-2 |
| Particleboard Screws 4 Nibs CSK Head Hole for Stem Cap PHILLIPS | 8-2 |
| Particleboard Screws CSK Head Long Thread POZI | 8-3 |
| Particleboard Screws 4 Nibs CSK Head Hole for Stem Cap POZI | 8-3 |
| Screw Pan Head | 8-3 |
| Handle / Knob Screws | 8-3 |
| Euro Screws | 8-4 |
| <i>Brads >></i> | 8-4 |
| BRADS C SERIES | 8-4 |
| BRADS DA SERIES | 8-5 |
| <i>Staples >></i> | 8-5 |
| 800 SERIES STAPLES | 8-5 |
| 6000 SERIES STAPLES | 8-6 |
| <i>Wallmates</i> | 8-6 |
| <i>Angle Bracket</i> | 8-6 |
| <i>Connectors >></i> | 8-8 |
| Zipbolt UT 85mm x 35mm | 8-7 |
| Zipbolt UT Mini 100mm x 25mm | 8-7 |
| Bench Top Metal Connector | 8-8 |
| Connector Cramps | 8-8 |
| Zipbolt Easy Cleat | 8-8 |
| Quick Clip Connector | 8-9 |
| Joining Biscuits | 8-9 |
| Connector Table Top Figure 8 | 8-9 |
| <i>Screw CAP >></i> | 8-10 |
| Cap with stem | 8-10 |
| FASTCAP – Adhesive Screw CAP | 8-10 |

SCREWS >>
Chipboard Screws CSK Head with 4 Nibs PHILLIPS

Zinc Plated & Waxed

| CODE | DESCRIPTION | SIZE | GAGE |
|-------------|------------------------|------|------|
| 511.825.1 | 8G x 25mm PH 1000/Box | 25 | 8 |
| 511.828.1 | 8G x 28mm PH 1000/Box | 28 | 8 |
| 511.830.1 | 8G x 30mm PH 1000/Box | 30 | 8 |
| 511.832.1 | 8G x 32mm PH 1000/Box | 32 | 8 |
| 511.835.1 | 8G x 35mm PH 1000/Box | 35 | 8 |
| 511.840.1 | 8G x 40mm PH 1000/Box | 40 | 8 |
| 511.845.1 | 8G x 45mm PH 1000/Box | 45 | 8 |
| 511.850.1 | 8G x 50mm PH 1000/Box | 50 | 8 |
| 511.857.1 | 8G x 57mm PH 1000/Box | 57 | 8 |
| 511.865.1 | 8G x 65mm PH 500/Box | 65 | 8 |
| 511.875.1 | 8G x 75mm PH 500/Box | 75 | 8 |
| 511.1075.1 | 10Gx75mm PH 200/Box | 75 | 10 |
| 511.10100.1 | 10G x 100mm PH 200/Box | 100 | 10 |


Particleboard Screws CSK Head Long Thread PHILLIPS

Zinc Plated & Waxed

| CODE | DESCRIPTION | SIZE | GAGE |
|-----------|------------------------|------|------|
| 522.616.1 | 3.5 x 16mm PH 1000/Box | 16 | 6 |
| 522.816.1 | 4.0 x 16mm PH 1000/Box | 16 | 8 |
| 522.818.1 | 4.0 x 18mm PH 1000/Box | 18 | 8 |
| 522.828.1 | 4.0 x 28mm PH 1000/Box | 28 | 8 |
| 522.840.1 | 4.0 x 40mm PH 1000/Box | 40 | 8 |
| 522.845.1 | 4.0 x 45mm PH 1000/Box | 45 | 8 |
| 522.850.1 | 4.0 x 50mm PH 1000/Box | 50 | 8 |
| 522.865.1 | 4.0 x 65mm PH 1000/Box | 65 | 8 |


Particleboard Screws 4 Nibs CSK Head Hole for Stem Cap PHILLIPS

Zinc Plated & Waxed

| CODE | DESCRIPTION | SIZE | GAGE |
|-----------|---------------------------|------|------|
| 533.928.1 | 4.5 x 28mm PH HH 1000/Box | 28 | 9 |
| 533.930.1 | 4.5 x 30mm PH HH 1000/Box | 30 | 9 |
| 533.940.1 | 4.5 x 40mm PH HH 1000/Box | 40 | 9 |
| 533.945.1 | 4.5 x 45mm PH HH 1000/Box | 45 | 9 |
| 533.950.1 | 4.5 x 50mm PH HH 1000/Box | 50 | 9 |
| 533.965.1 | 4.5 x 65mm PH HH 500/Box | 65 | 9 |
| 533.975.1 | 4.5 x 75mm PH HH 500/Box | 75 | 9 |



Screws >>

Particleboard Screws CSK Head Long Thread POZI

Zinc Plated & Waxed

| CODE | DESCRIPTION | SIZE | GAGE |
|-----------|------------------------|------|------|
| 522.616.2 | 3.5 x 16mm PZ 1000/Box | 16 | 6 |
| 522.815.2 | 4.0 x 15mm PZ 1000/Box | 15 | 8 |
| 522.816.2 | 4.0 x 16mm PZ 1000/Box | 16 | 8 |
| 522.828.2 | 4.0 x 28mm PZ 1000/Box | 28 | 8 |
| 522.840.2 | 4.0 x 40mm PZ 1000/Box | 40 | 8 |
| 522.845.2 | 4.0 x 45mm PZ 1000/Box | 45 | 8 |
| 522.850.2 | 4.0 x 50mm PZ 1000/Box | 50 | 8 |
| 522.865.2 | 4.0 x 65mm PZ 1000/Box | 65 | 8 |



Particleboard Screws 4 Nibs CSK Head Hole for Stem Cap POZI


Zinc Plated & Waxed

| CODE | DESCRIPTION | SIZE | GAGE |
|-----------|---------------------------|------|------|
| 533.928.2 | 4.5 x 28mm PZ HH 1000/Box | 28 | 9 |
| 533.930.2 | 4.5 x 30mm PZ HH 1000/Box | 30 | 9 |
| 533.945.2 | 4.5 x 45mm PZ HH 1000/Box | 45 | 9 |
| 533.950.2 | 4.5 x 50mm PZ HH 1000/Box | 50 | 9 |
| 533.965.2 | 4.5 x 65mm PZ HH 500/Box | 65 | 9 |
| 533.975.2 | 4.5 x 75mm PZ HH 500/Box | 75 | 9 |




Screw Pan Head

Zinc Plated

| CODE | DESCRIPTION | SIZE | GAGE | PHILLIPS HEAD |
|-----------|-----------------------------------|------|------|---|
| 577.815.1 | 8G x 15mm Pan Head Screw 1000/Box | 15 | 8 |  |

Handle / Knob Screws



Zinc Plated



| CODE | DESCRIPTION | SIZE | GAGE | |
|------------|---------------------------------|------|------|---|
| 588.M4.20 | M4 x 20mm Handle Screw 1000/Box | 20 | M4 |  |
| 588.M4.22 | M4 x 22mm Handle Screw 1000/Box | 22 | M4 | |
| 588.M44.25 | M4 x 25mm Handle Screw 1000/Box | 25 | M4 | |
| 588.M4.38 | M4 x 38mm Handle Screw 1000/Box | 38 | M4 | |

Screws >>

Euro Screws

Zinc Plated

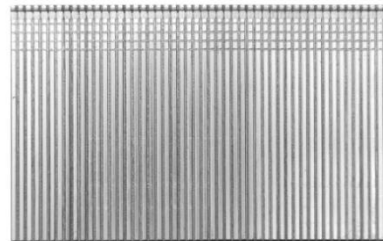
| CODE | DESCRIPTION | SIZE | GAGE | POZI DRIVE | |
|-------------|---|------|------|---|---|
| 595.M6310.2 | M6.3 x 10.5mm Euro Screw PZ 1000/Box | 10.5 | M6.3 |  |  |
| 595.M6313.2 | M6.3 x 13.0mm Euro Screw PZ 1000/Box | 13 | M6.3 | | |

| CODE | DESCRIPTION | SIZE | GAGE | PHILLIPS DRIVE | |
|-------------|---|------|------|---|---|
| 595.M6310.1 | M6.3 x 10.5mm Euro Screw PH 1000/Box | 10.5 | M6.3 |  |  |
| 595.M6313.1 | M6.3 x 13.0mm Euro Screw PH 1000/Box | 13 | M6.3 | | |

Brads >>

BRADS C SERIES

- Head size: 2.8 x 1.40mm
- Galvanised wire
- Wire size: 1.4 x 1.60mm / 16 gauge
- Wire diameter: 1.55mm
- Quantity: 5000 per box



| CODE | DESCRIPTION | LENGTH |
|---------|----------------------|--------|
| 597.C25 | C25mm Brads 5000/box | 25 |
| 597.C32 | C32mm Brads 5000/box | 32 |
| 597.C38 | C38mm Brads 5000/box | 38 |
| 597.C40 | C40mm Brads 5000/box | 40 |
| 597.C45 | C45mm Brads 5000/box | 45 |
| 597.C50 | C50mm Brads 5000/box | 50 |

Note – Other lengths available on request

BRADS DA SERIES



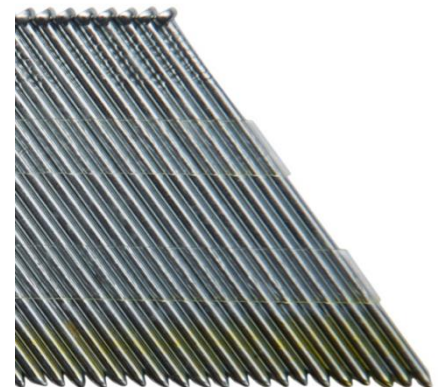
- Head size: 3.1mm diameter
- Wire size: 1.80mm / 15 gauge
- Wire diameter: 1.80mm
- Quantity: 3000 per box

| CODE | DESCRIPTION | LENGTH |
|----------|--------------------------------|--------|
| 597.DA13 | DA13 Series - 25mm 3000pcs/box | 25 |
| 597.DA15 | DA15 Series - 32mm 3000pcs/box | 32 |
| 597.DA17 | DA17 Series - 38mm 3000pcs/box | 38 |
| 597.DA19 | DA19 Series - 45mm 3000pcs/box | 45 |
| 597.DA21 | DA21 Series - 50mm 3000pcs/box | 50 |

Staples >>

800 SERIES STAPLES

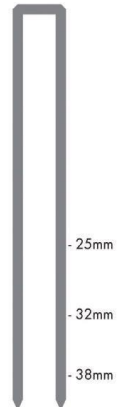
- Crown width: 12.9mm
- Bright finish
- Wire size: 0.65 x 0.95mm / 21 Gauge
- Wire diameter: 0.84mm
- Quantity: 10,000 per box



| CODE | DESCRIPTION | LENGTH |
|----------|-----------------------------------|--------|
| 598.8112 | 801 series Staples 12mm 10000/box | 12 |
| 598.8214 | 802 series Staples 14mm 10000/box | 14 |

6000 SERIES STAPLES

- Crown width: 5.5mm
- Staple: 6010 – 6040
- Galvanised (clear cement coated)
- Wire size: 1.00 x 1.25mm / 18 gauge
- Wire diameter: 1.20mm
- Quantity: 5000 per box



| CODE | DESCRIPTION | LENGTH |
|----------|-----------------------------------|--------|
| 598.6032 | 6000 series Staples 32mm 5000/box | 32 |
| 598.6038 | 6000 series Staples 38mm 5000/box | 38 |

Wallmates >>

Self-Drilling Anchors



| CODE | DESCRIPTION | SIZE |
|-----------|---------------------------|------|
| 599.120.Z | Wallmate Zinc 100pcs/Box | - |
| 599.120.N | Wallmate Nylon 100pcs/Box | - |

Angle Brackets >>



| CODE | DESCRIPTION | SIZE |
|---------|----------------------------------|-------|
| 599.022 | Angle Bracket 22 x 22mm 1000/Box | 22x22 |
| 599.040 | Angle Bracket 40 x 40mm 1000/Box | 40x40 |

Connectors >>

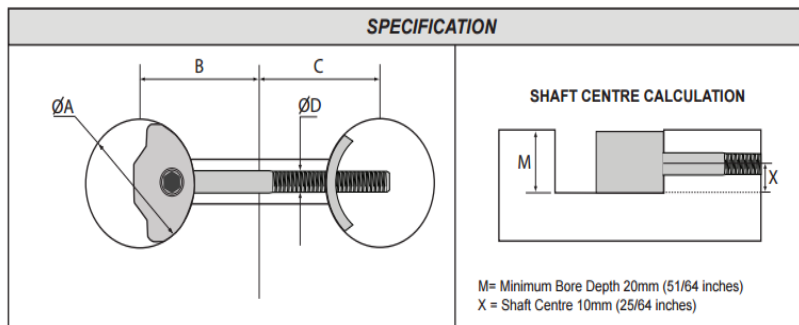
Zipbolt UT 80mm x 35mm

The fastest and easiest way of joining work/counter tops in a matter of seconds!

- The Zipbolt UT requires a simple 5mm Allen key or hex bit as a driving tool and this ensures a very positive engagement.
- The boring specification from edge to centre is 33mm – 44mm and a 20mm minimum depth is required.



10.500



A = 35mm

B = 33 - 44mm

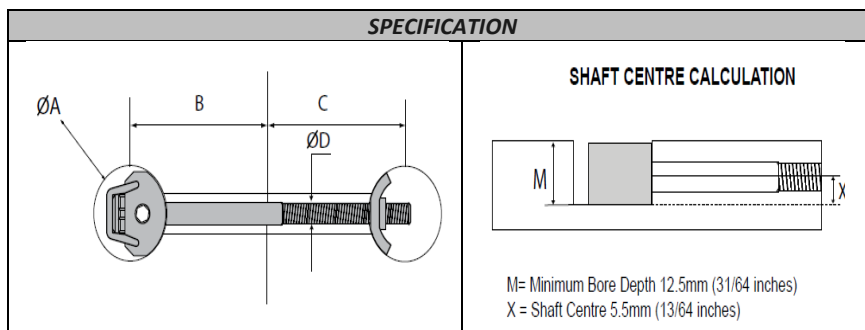
C = 33 - 44mm

D = 6

| CODE | DESCRIPTION | SIZE | GAGE |
|---------|----------------------------------|------|------|
| 599.085 | ZB 10.500 Zipbolt UT 80mm x 35mm | 80 | - |

Zipbolt UT Mini 6mm x 100mm

- The fastest and easiest way of joining Work / counter tops in a matter of seconds!
- The Zipbolt UT requires a simple 4mm Allen key or hex bit as a driving tool and this ensures a very positive engagement.
- The boring specification from edge to centre is 42mm – 49mm and a 12.5mm minimum depth is required.



A = 25mm

B = 42 - 49mm

C = 42 - 49mm

D = 6

| CODE | DESCRIPTION | SIZE | GAGE |
|---------|--|------|------|
| 599.100 | ZB 10.800 Zipbolt UT Mini 100mm x 25mm | 100 | - |

Connectors >>

Bench Top Metal Connector

- Simple, economical and very effective connecting system for joining bench tops, thick panelling and other critical edge to edge joints
- Steel body and connecting bolts
- The body is inserted into the borings and clamping pressure is applied with the nut
- Quantity: 100 per box



| CODE | DESCRIPTION | SIZE | GAGE |
|---------|--|------|------|
| 599.065 | Metal Bench Top Connector 65mm Zinc Plated | 65 | - |

Connector Cramps

FEATURES

- Holds connector for insertion and adjustment
- Spring action handle:
- Holds wings level and apart
- Keeps bolt head in place
- Tensions nut to resist back turning by wrench
- Shaped side of handle provides clearance for spanner operation.
- Sizes to suit 65mm and 150mm connectors for 35mm sockets.
- Also suitable for Zipbolt™



| CODE | DESCRIPTION | SIZE |
|-----------|-----------------------|-------|
| 599.03565 | Connector Cramp 65mm | 65mm |
| 599.35150 | Connector Cramp 150mm | 150mm |

Zipbolt Easy Cleat

| CODE | DESCRIPTION |
|------------|-------------|
| 472.30.200 | Easy Cleat |

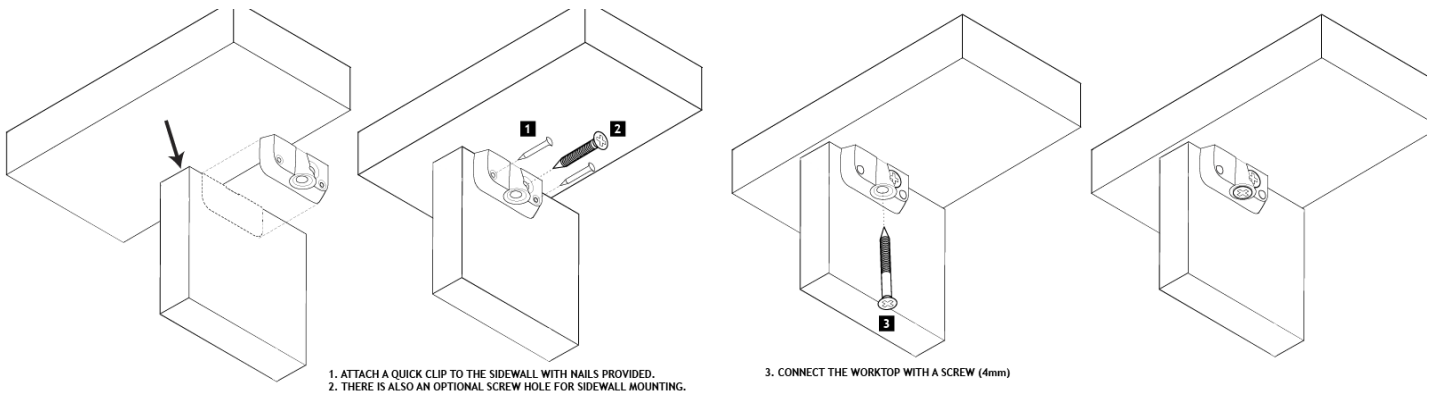


Easy Cleat uses include-Fixing down bench tops, panels, fixed shelves

Connectors >>

Quick Clip Connector

- Quantity: 100 per box, 1000 per outer box
- Nail-on fitting for attaching bench tops and panels
- Additional screw facility as component connector in cabinet construction
- Angle screwing for side clearance
- Quick clip replaces cleats, figure 8's, angle brackets, knock-in connectors and extra rails for panels



| CODE | DESCRIPTION | SIZE | GAGE |
|---------|---------------------------------------|------|------|
| 599.130 | Quick Clip Work-top Connector 100/Bag | - | - |

Joining Biscuits



| CODE | DESCRIPTION |
|---------|---------------------------------|
| 599.135 | Joining Biscuit No. 20 1000/Box |

Connector Table-Top Figure 8

- A figure-8 shaped connector that can be used to join Table-tops to table frames
- Countersunk on opposing sides
- Suits M6 threaded screws
- Quantity: 1000 per box



| CODE | DESCRIPTION |
|---------|----------------------------|
| 599.138 | Figure 8 Connector 100/Bag |

Connectors >>

Screw CAPS >>

STEM Caps for Head Hole Screws

MATERIAL: PLASTIC

FOR HEAD HOLE
SCREWS



| CODE | DESCRIPTION | SIZE | GAGE |
|-----------|--|------|------|
| 598.112.1 | Screw cap – White Dia. 12mm Height 8mm | 12 | |

FASTCAP – Adhesive Screw CAP

Material: PLASTIC



| CODE | DESCRIPTION | SIZE | GAGE |
|-----------|--|------|------|
| 598.114.1 | Adhesive Cap Dia. 14mm – White 53/Card | 14 | - |
| 598.115.4 | Adhesive Cap Dia. 14mm – Black 53/Card | 14 | - |

9. ADHESIVES & SEALANTS

| | |
|--|-----|
| 9. ADHESIVES & SEALANTS | 9-1 |
| <i>Adhesives >></i> | 9-2 |
| Anchor-Weld 2700/2701 | 9-2 |
| Anchor-Weld 101R | 9-2 |
| AV56 Laminated Board Adhesive | 9-2 |
| AV180 MDF Board & Joinery Adhesive | 9-3 |
| AV XL PLUS Single Pack Cross-Linking PVA | 9-3 |
| RAKOLL K4/570 Natural Pallets | 9-3 |
| Bostik Z-Bond NO NAILS | 9-4 |
| Cleaners & Thinners >> | 9-4 |
| Anchor-Weld 901 | 9-4 |
| Anchor-Weld 802 | 9-4 |
| <i>Silicones >></i> | 9-5 |
| Bostik Kitchen & Bathroom | 9-5 |
| Bostik SILICONE V60 | 9-5 |
| Bostik Industrial Grade Clear SILICONE | 9-5 |
| <i>Gap Filler >></i> | 9-6 |
| Bostik Z-Bond GAP FILLER | 9-6 |
| <i>Caulking Gun</i> | 9-6 |
| <i>Glue Bottle & Top</i> | 9-6 |

Adhesives >>

Anchor-Weld 2700/2701
Spray Grade Contact Adhesive



| CODE | DESCRIPTION | QTY |
|-----------------|--|-----|
| 60.AW2700. R.20 | Anchor-Weld 2700 20Litre <i>Spray Grade RED</i> Contact Adhesive | 20L |
| 60.AW2701. C.20 | Anchor Weld 2701 20Litre <i>Spray Grade CLEAR</i> Contact Adhesive | 20L |

Anchor-Weld 101R
Scraper Grade Contact Adhesive



| CODE | DESCRIPTION | QTY |
|--------------|--|-----|
| 60.AW101R.20 | Anchor-Weld 101R 20Litre <i>Scraper Grade</i> Contact Adhesive | 20L |
| 60.AW101R.4 | Anchor Weld 101R 4L <i>Scraper Grade</i> Contact Adhesive | 4L |

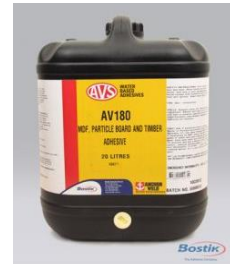
AV56 Laminated Board Adhesive



| CODE | DESCRIPTION | QTY |
|---------------|--|-----|
| 60.AV56. C.5 | AV56-5L <i>CLEAR</i> 5Litre <i>Melamine Board</i> Adhesive | 5L |
| 60.AV56. C.20 | AV56-20L <i>CLEAR</i> 20Litre <i>Melamine Board</i> Adhesive | 20L |

Adhesives >>

AV180 MDF Board & Joinery Adhesive



| CODE | DESCRIPTION | QTY |
|-------------|--|-----|
| 60.AV180.5 | AV180-5L 5Litre MDF, Particle Board & Joinery Adhesive | 5L |
| 60.AV180.20 | AV180-20L 20Litre MDF, Particle Board & Joinery Adhesive | 20L |

AV XL PLUS Single Pack Cross-Linking PVA



| CODE | DESCRIPTION | QTY |
|-------------|---|-----|
| 60.AVXLP.5 | AVXLP-5L 5Litre XL Plus Single Pack Cross Linking PVA | 5L |
| 60.AVXLP.20 | AVXLP-20L 20Litre XL Plus Single Pack Cross Linking PVA | 20L |

RAKOLL K4/570 Natural Pallets



| CODE | DESCRIPTION | QTY |
|-----------|-------------------------------|------|
| 60.K4/570 | Rakoll K4/570 Natural Pallets | 15Kg |

Adhesives >>

Bostik Z-Bond NO NAILS



| CODE | DESCRIPTION | PACK QTY |
|-----------|-----------------------------|----------|
| 68.662880 | Bostik Z Bond No Nails 320g | 15/Box |

Cleaners & Thinners >>

Anchor-Weld 901

Cleaner & Thinner



| CODE | DESCRIPTION | QTY |
|-------------|--|-----|
| 60.AW901.20 | Anchor-Weld 901 20Litre <i>Thinner / Cleaner</i> | 20L |

Anchor-Weld 802

ABS Cleaner



| CODE | DESCRIPTION | QTY |
|-------------|--|-----|
| 60.AW802.20 | Anchor-Weld 802 20Litre <i>ABS Cleaner</i> | 20L |

Silicones >>

Bostik Kitchen & Bathroom

Silicone



| CODE | DESCRIPTION | PACK QTY |
|-----------|---|----------|
| 66.271071 | Bostik Kitchen & Bathroom Silicone Translucent Neutral 300g | 20/Box |
| 66.249912 | Bostik Kitchen & Bathroom Silicone White Neutral 300g | 20/Box |

Bostik SILICONE V60

Suitable for mirrors



| CODE | DESCRIPTION | PACK QTY |
|-----------|--|----------|
| 66.309470 | Bostik Glazing Silicone V60 Translucent 300g | 15/Box |

Bostik Industrial Grade Clear SILICONE



| CODE | DESCRIPTION | PACK QTY |
|-----------|---|----------|
| 66.266434 | Bostik Industrial Grade Silicone Clear 300g | 20/Box |

Silicones >>

Bostik Z-Bond GAP FILLER



| CODE | DESCRIPTION | PACK QTY |
|-----------|------------------------------|----------|
| 67.809420 | Z-Bond Gap Filler White 450g | 15/Box |

Caulking Gun



| CODE | DESCRIPTION |
|----------|-----------------------------------|
| 69.NCGS1 | Skeleton Caulking Gun (JPM NCGS1) |
| 69.43041 | Skeleton Caulking Gun (Tolson) |

Glue Bottle & Top



| CODE | DESCRIPTION |
|---------------|-----------------------------|
| 69.GLUEBOT | Glue Bottle with Lid 500 ML |
| 69.GLUEBOT/1L | Glue Bottle with Lid 1L |
| 69.BOTOP | Glue Bottle Top Only |

10. WARDROBE ACCESSORIES

| | |
|---|-------|
| <i>Super Lift</i> | 10-2 |
| <i>Pull Out 9 Trousers Holder – REVERSIBLE</i> | 10-4 |
| <i>Pull Out 10 Trousers Holder – REVERSIBLE</i> | 10-6 |
| <i>Pull Out Frontal (Door Mounted) Shoe Holder</i> | 10-8 |
| <i>Pull Out Frame - Shoe Holder</i> | 10-10 |
| <i>Pull out Hanger – Shirt Holder</i> | 10-12 |
| <i>Pull Out Tie – Belt Holder</i> | 10-13 |

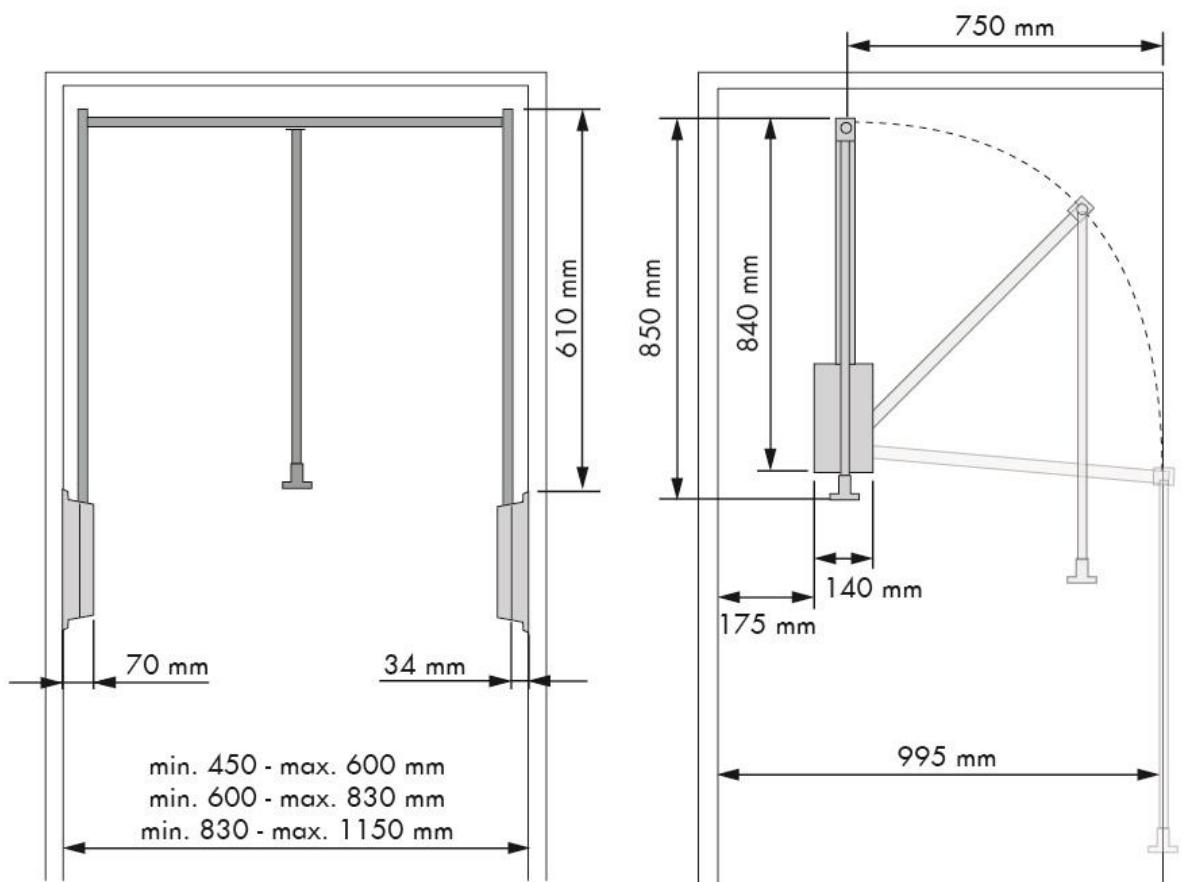
SUPER LIFT

Maximum load 12 kgs.



| CODE | DESCRIPTION | DIMENSIONS |
|------------|-------------|-------------------------|
| 3.39063014 | SUPER-LIFT | 830-1150D X 850H X 140L |

SUPER-LIFT: Technical Drawing



Pull Out 9 Trousers Holder – REVERSIBLE

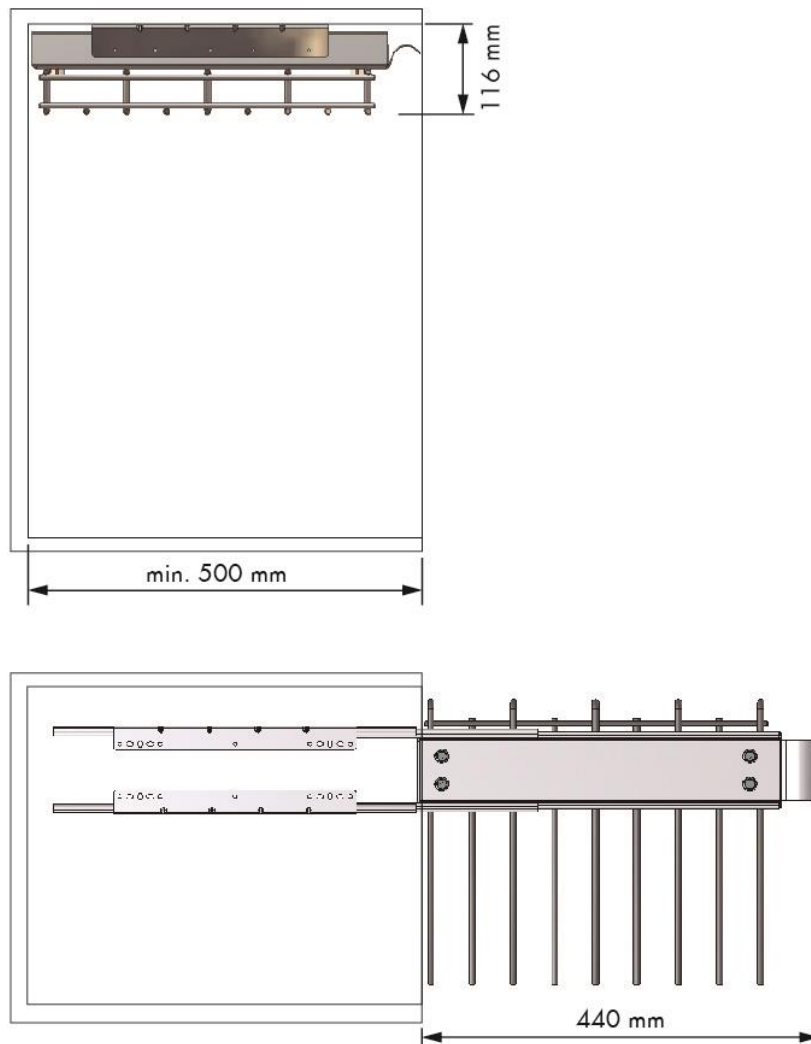
Reversible for up to 9 Trousers with Anti Slip Coat

Comes with multipurpose basket and soft close runners



| CODE | DESCRIPTION | DIMENSIONS |
|------------|---|--------------------|
| 3.39073014 | Reversible, pull out 9 Trousers holder with ant slip coat | 353D X 116H X 490L |

Pull Out 9 Trousers Holder – Technical Drawing



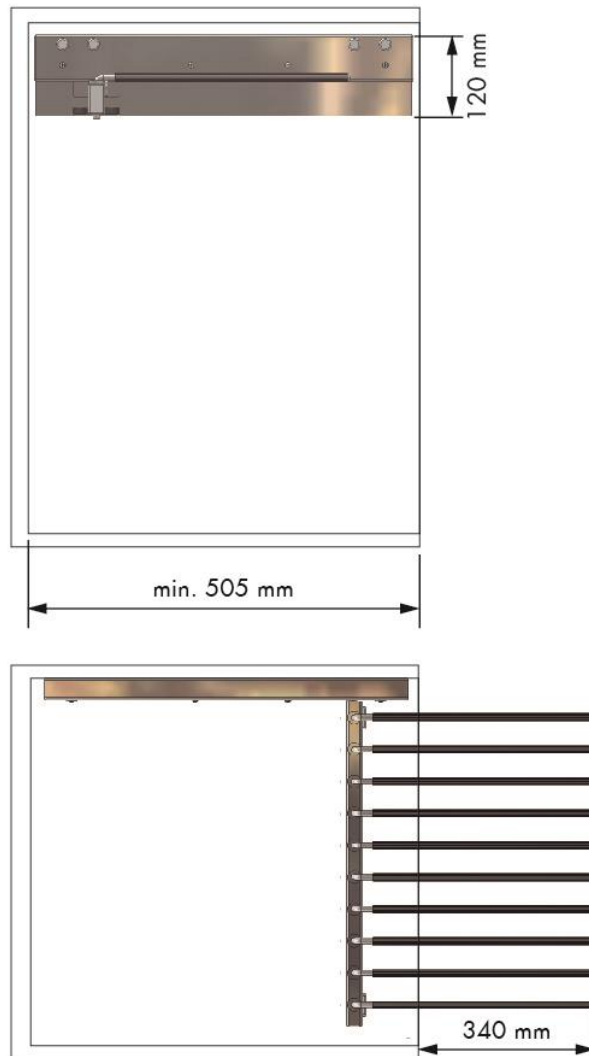
Pull Out 10 Trousers Holder – REVERSIBLE

Reversible for up to 10 Trousers with Anti Slip Coat



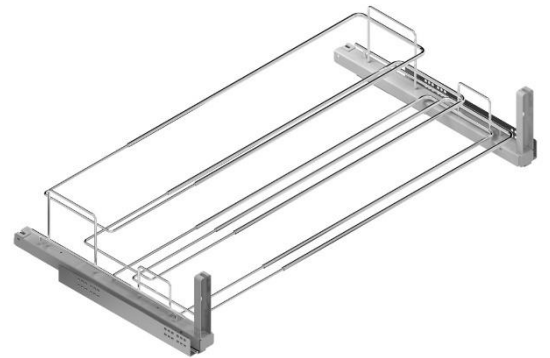
| CODE | DESCRIPTION | DIMENSIONS |
|------------|--|--------------------|
| 3.39010014 | Reversible, pull out 10 Trousers holder with ant slip coat | 480D X 120H X 495L |

Pull Out 10 Trousers Holder – REVERSIBLE



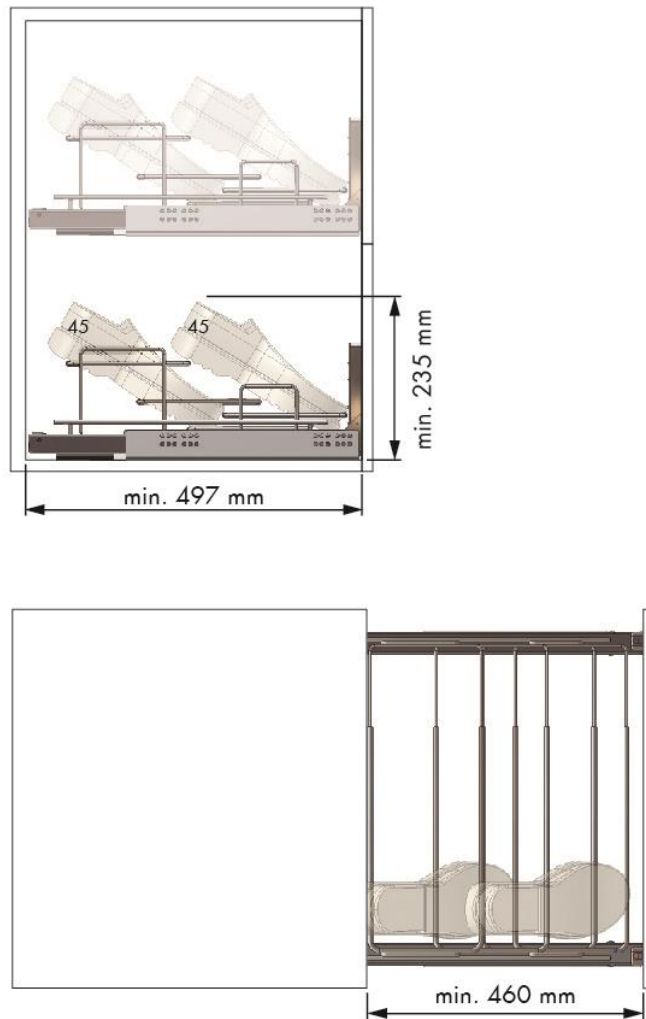
Pull Out Frontal (Door-Mounted) Shoe Holder

Comes with Quadro Hettich Runners. Maximum load 30Kgs



| CODE | DESCRIPTION | DIMENSIONS |
|------------|------------------------------|-------------------------|
| 3.39104014 | Pull Out Frontal Shoe Holder | 450-650D X 170H X 487L |
| 3.39105014 | Pull Out Frontal Shoe Holder | 640-1000D X 170H X 487L |

Pull Out FRONTAL (Door mounted) Shoe Holder – Technical Drawing



Pull Out Frame - Shoe Holder

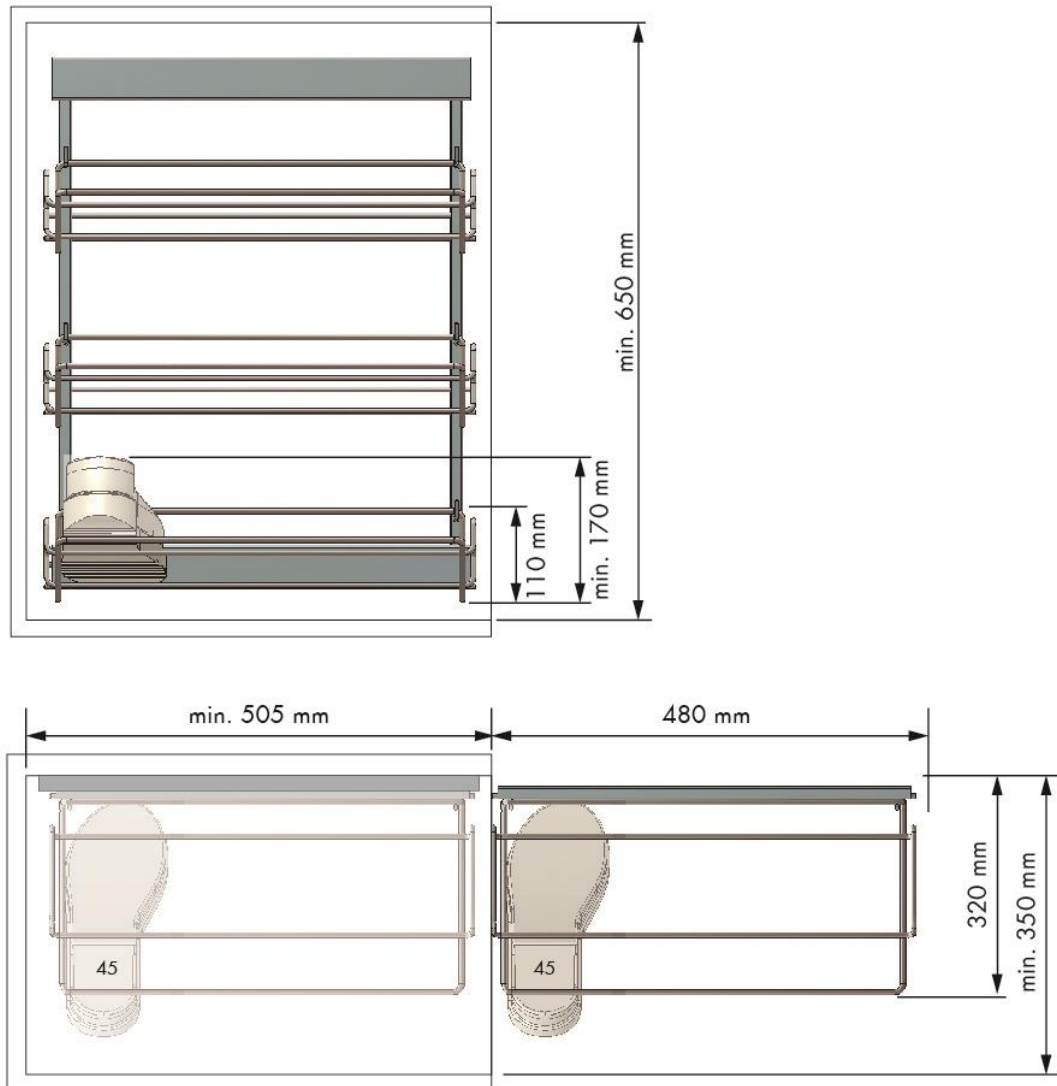
Soft close runners. Maximum load 45Kgs



| CODE | DESCRIPTION | DIMENSIONS |
|------------|----------------------------------|--------------------|
| 3.39109014 | Pull Out Frame Shoe Holder-RIGHT | 320D X 600H X 495L |

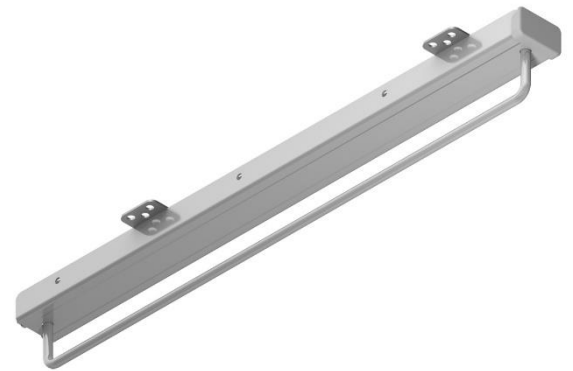
**Grey matt is not included in the pack as shown in the photo above*

Pull Out Frame- Shoe Holder – Technical Drawing

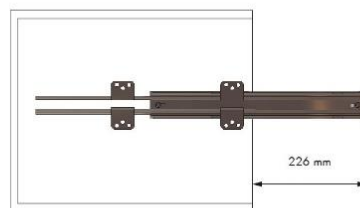
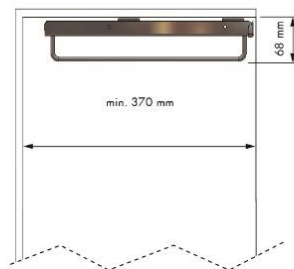


Pull Out Hanger – Shirt Holder

Attractive Silver Steel. Maximum load: 15 Kgs

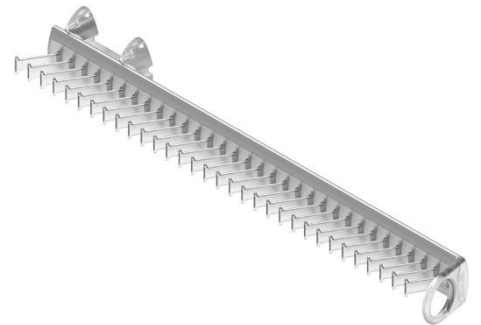


| CODE | DESCRIPTION | DIMENSIONS |
|------------|------------------------------|------------------|
| 3.42075014 | Pull Out Frontal Shoe Holder | 68D x 56H x 360L |



Pull Out Tie - Belt Holder

Attractive Silver ABS



| CODE | DESCRIPTION | DIMENSIONS |
|------------|--------------------------|------------------|
| 3.41042214 | Pull Out Tie-Belt Holder | 76D x 82H x 500L |

