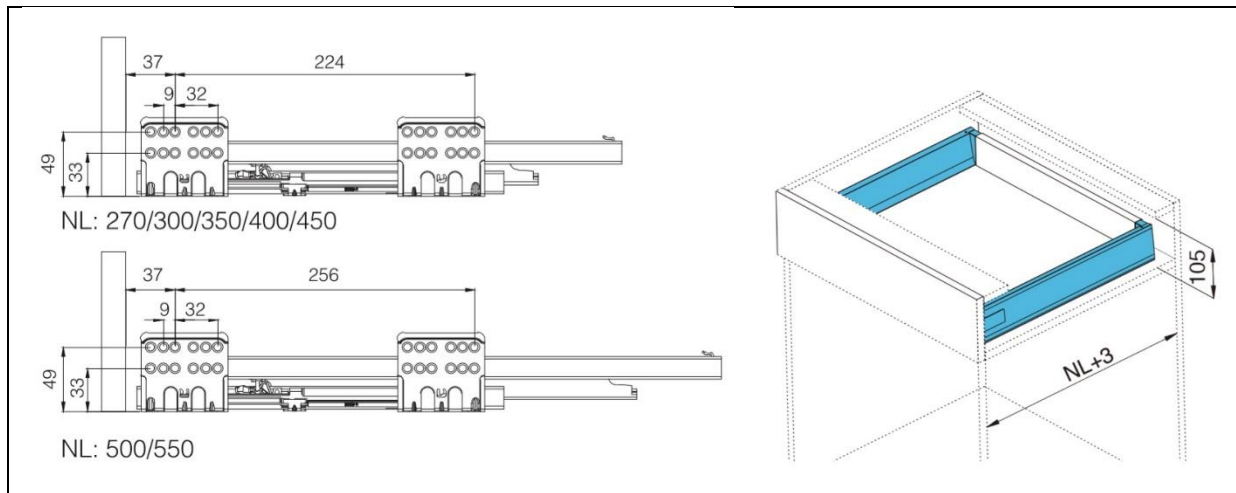
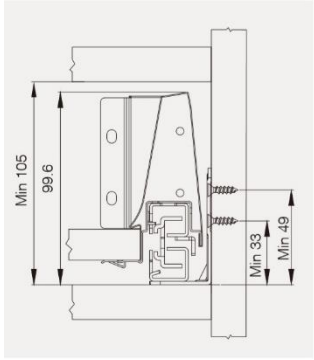
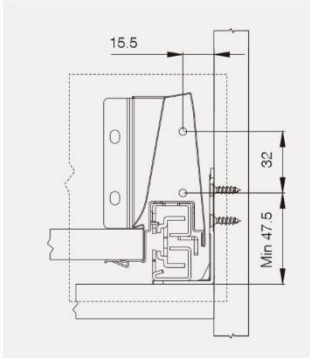
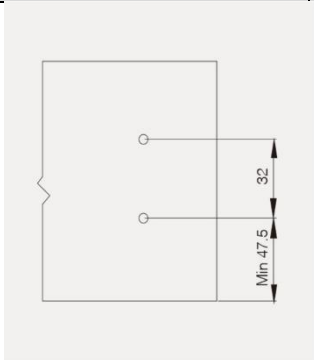
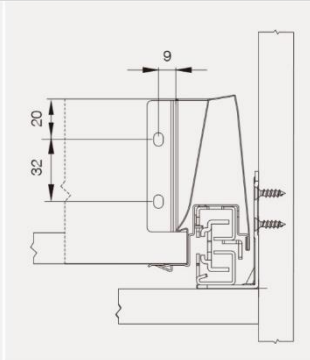
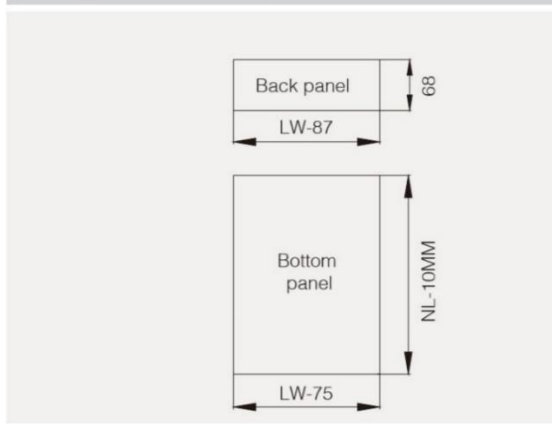


11.A3201: 84mm High CEMUX Double Wall Drawer System Installation Dimensions



ASSEMBLY DIMENSIONS OF CABINET	FRONT FIXING BRACKETS	CODE	NOMINAL LENGTH (NL)	DRAWER INTERNAL LENGTH	MIN. INSTALLATION LENGTH OF DRAWER
		11.A3201.270	270	246	273
		11. A3201.300	300	276	303
		11. A3201.350	350	326	353
		11. A3201.400	400	376	403
		11. A3201.450	450	426	453
		11. A3201.500	500	476	503
		11. A3201.550	550	526	553
DRILLING HOLE SIZE FRONT OF DRAWER	DRILLING HOLE SIZE BACK OF DRAWER	Cutting dimensions for 16mm MDF			
					
		LW Internal cabinet width		L Length	
		NL Nominal length		KB Cabinet width	