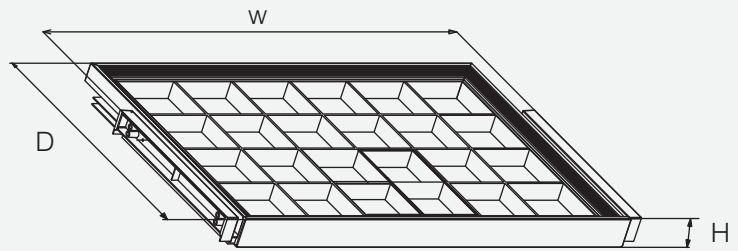


Product dimension

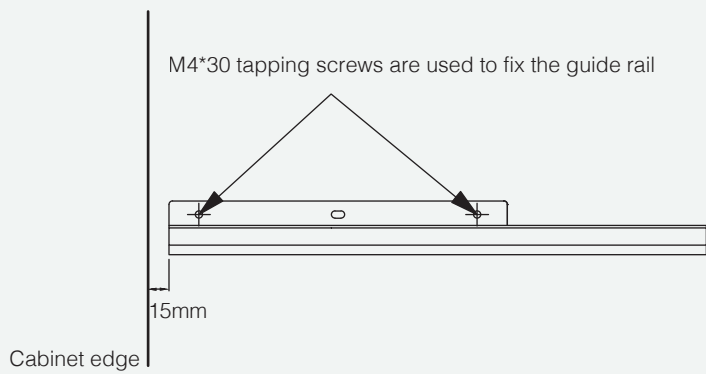
Product material uses high strength magnesium aluminum alloy frame, strong, durable, width adjustment can reach 15mm; Maximum Load 25KG

- ★600 cabinets. W = 515, D = 476, H = 56
- ★700 cabinets. W = 615, D = 476, H = 56
- ★800 cabinets. W = 715, D = 476, H = 56
- ★900 cabinets. W = 815, D = 476, H = 56

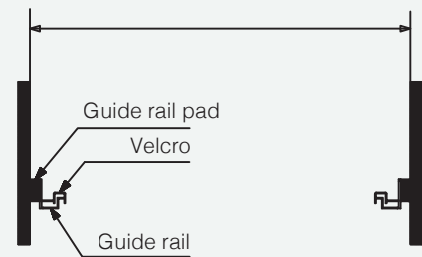


Installation

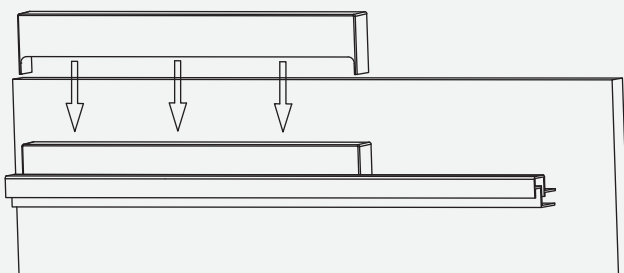
1. M4 \* 30 self-tapping screw guide rail pad and guide rail parallel to the two side plate.



- 600cabinets (570-555)
- 700cabinets (670-655)
- 800cabinets (770-755)
- 900cabinets (870-855)



2. Cover of the slide rail is arranged on the slide rail pad from top to bottom



3. The frame from the top down on both sides of the slide. Note that the front of the frame should be attached to the front of the slide rail.

